

Pulse counters, electromechanical

Mini counters	5 digits with reset (AC+DC)	W15
----------------------	------------------------------------	------------



The mini totalizers W15 are manually resettable and have been designed for various front panel sizes in a wide variety of applications. They offer an excellent price / performance ratio and are easy to operate.

Characteristics

- 5-digit miniature pulse counter, adding with manual reset.
- Low power consumption.
- Available for all common DC and AC voltages.
- DIN housing 48 x 24 mm available.

Benefits

- Long service life (50 million pulses).
- Ideal for battery operation and electronic switching operations.

Applications

Machines and appliances, battery-powered devices, heat and water consumption measurement, establishing tolls and charges, general quantity counting.

Type series

Description	Panel mount dimensions	Housing	Display	Type
Panel mount with mounting clip, 34 x 23 mm [1.34 x 0.91"]	31 x 20 mm [1.22 x 0.79"]	plastic	front side	W15.21
Panel mount with mounting clip, 48 x 24 mm [1.89 x 0.94"]	45 x 22 mm [1.77 x 0.87"]	plastic	front side	W15.51

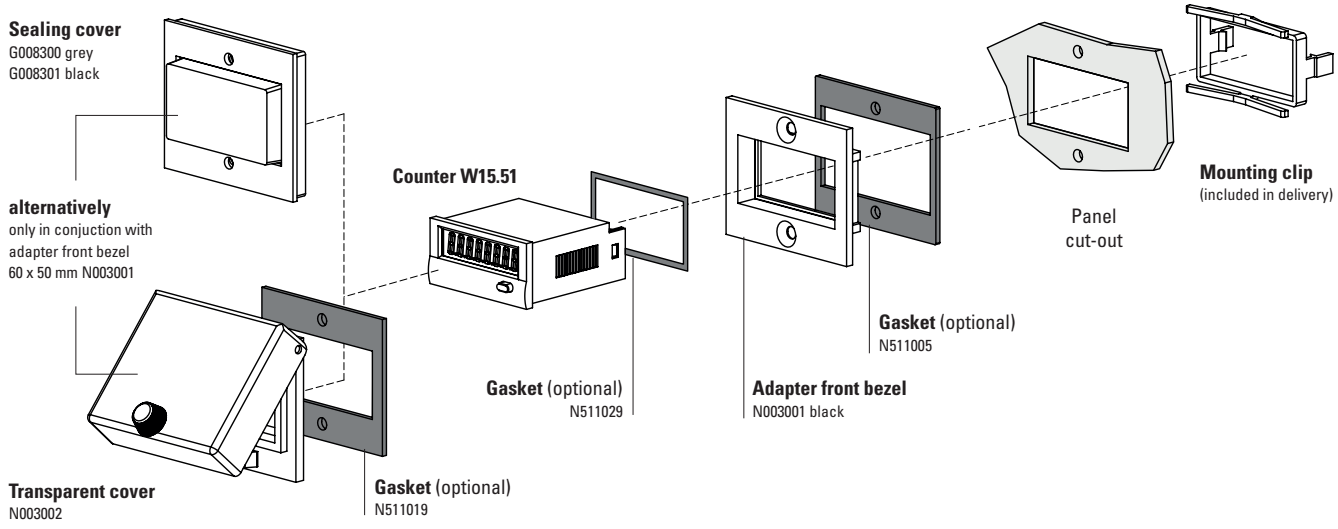
Order information

- Art. no.
- For special voltages, please give type, voltage, kind of voltage and series e.g.:
W15.21, 4.5 V DC/0 black

Pulse counters, electromechanical

Mini counters	5 digits with reset (AC+DC)	W15
----------------------	------------------------------------	------------

Accessories / Mounting examples (for W15.51 only)



		Type / size	Description		Order no.	suitable gasket
Adapter front bezel		53 x 28 mm [2.09 x 1.10"]	for cut-out 50 x 25 mm [1.97 x 0.98"] to cut-out 45 x 22.2 mm [1.77 x 0.94"]	grey black anthracite	T008164 T008165 T008180	N511015
		56 x 40 mm [2.20 x 1.57"]	for cut-out 50 x 25 mm [1.97 x 0.98"] to cut-out 45 x 22.2 mm [1.77 x 0.94"] screw mounting	black anthracite	T008161 T008181	N511045
		72 x 36 mm [2.83 x 1.42"]	for cut-out 68 x 33 mm [2.68 x 1.30"] to cut-out 45 x 22.2 mm [1.77 x 0.94"]	black and silver anodised as set	162704Set	–
		60 x 50 mm [2.36 x 1.97"]	for cut-out 54 x 29 mm [2.13 x 1.14"] to cut-out 45 x 22.2 mm [1.77 x 0.94"] screw mounting	black	N003001	N511005
		48 x 48 mm [1.89 x 1.89"]	for cut-out 45 x 45 mm [1.77 x 1.77"] to cut-out 45 x 22.2 mm [1.77 x 0.94"]	black	T008883	–
Sealing cover IP65		K1	only in conjunction with adapter front bezel 60 x 50 mm N003001	transparent / grey transparent / black	G008300 G008301	–
Transparent cover IP65		1 Dv (mounted on bezel)	cover lockable, for cut-out 54 x 29 mm [2.13 x 1.14"], only in conjunction with adapter front bezel 60 x 50 mm N003001	transparent / black	N003002	N511019
Gasket counter			48 x 24 mm (for installation in adapter front bezel) 49 x 25 mm		N511029 N511034	
Mounting frame		cut-out 50 x 25 mm [1.97 x 0.98"]	via adapter T008180 for snap-on mounting on 35 mm [1.38"] top-hat DIN rail	chromated	G300004	–
Enclosure blind		48 x 24 mm [1.89 x 0.94"]	for cut-out 45 x 22.2 mm [1.77 x 0.94"] and cut-out 50 x 25 mm [1.97 x 0.98"]	anthracite	G003836	–

Pulse counters, electromechanical

Mini counters	5 digits with reset (AC+DC)	W15
----------------------	------------------------------------	------------

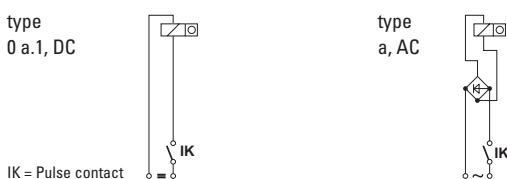
Technical data		
Electrical connection	standard	flying leads, AWG 22 approx. 150 mm [5.91"] \varnothing 0.34 mm ² , 6 mm [0.24"] stripped wire ends, tinned
Rated voltage	type 05 (8 Hz) type 0 (10 Hz) type a0 (10 Hz)	1.5 / 3 / 4.5 / 5 / 6 / 12 V DC (+15 %, -5 %) 12 / 24 / 48 / 115 / 230 V DC \pm 10 % 12 / 24 / 48 / 115 / 230 V AC, \pm 10 %
Cycle duration factor		100 %
Height of figures		approx. 4 x 1.7 mm [0.16 x 0.067"]
Color of figures		white on black
Counting mechanism shaft		stainless steel
Operating temperature		-10 °C ... +50 °C [+14 °F ... +122 °F] (non-condensing)
Relative humidity at +30 °C [+86 °F]		\leq 80 % (non-condensing)
Altitude		up to 2000 m [6562']
Mounting position		any
Operating life		$>$ 50 x 10 ⁶ pulses
Protection		IP40 (front side)
Weight		approx. 52 g [1.83 oz]
Device safety	designed to protection class 2 application area	EN 61010 part 1 pollution level 2

Options	
Electrical connection	<ul style="list-style-type: none"> · pin \varnothing 1.5 mm with push on connectors (Art. no.: 1.151.X1X.XXX) · with flat pin 0.8 x 2.8 mm [0.032 x 0.11"] and flat push on connectors (Art. no.: 1.159.X1X.XXX) · with flat pin 0.8 x 6.3 mm [0.032 x 0.25"] and flat push on connectors (Art. no.: 1.157.XXX.XXX) · with screw terminal (Art. no.: 1.154.XXX.XXX.023)
Color of housing (availability see table)	grey Art. no.: X.XXX.XX0.XXX black Art. no.: X.XXX.XX1.XXX
Extended temperature range	on request

Approvals	
CE compliant in accordance with	
EMC Directive	2014/30/EU
RoHS Directive	2011/65/EU
Low Voltage Directive	2014/35/EU

Type / Counting mechanism						
Voltage	Type	Pulse frequency max.	Pulse on time min.	Pulse interval min.	Power consumption approx.	Permi. residual ripple max.
V DC	05	8 Hz	50 ms	75 ms	130 mW	5 %
V DC	0	10 Hz	50 ms	50 ms	0.5 W (\leq 115 V) 1 W (185 V)	48 %
V AC	a0	10 Hz	50 ms	50 ms	0.75 VA (\leq 115 V) 1.5 VA (230 V)	–

Connection diagram



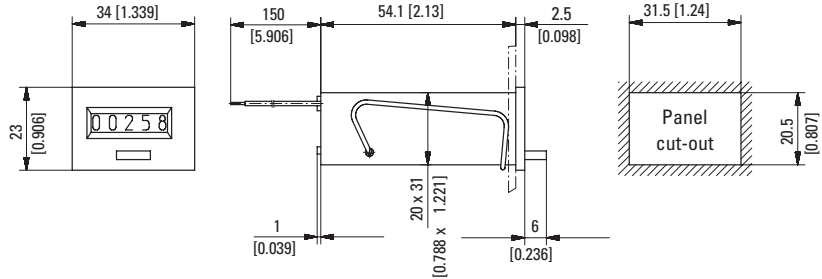
Pulse counters, electromechanical

Mini counters **5 digits with reset (AC+DC)** **W15**

Panel mount with mounting clip

Panel mount dimensions 31 x 20 [1.22 x 0.79]

Type W15.21



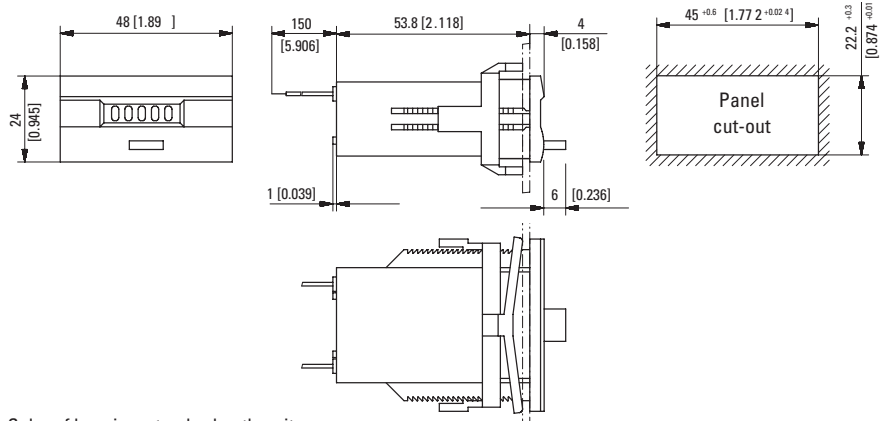
Color of housing black: Art. no. 1.150.211.XXX

Type	Voltage	Display	Art. no.			
			12 V	24 V	115 V	230 V
W15.21	DC (8 Hz) / 05	5 digits	1.150.210.049	1.150.210.050		
	DC (10 Hz) / 0		1.150.210.012	1.150.210.013		
	AC (10 Hz) / a0			1.150.210.051	1.150.210.054	1.150.210.056

Panel mount with mounting clip

Panel mount dimensions 45 x 22 [1.77 x 0.87]

Type W15.51



Color of housing: standard anthracite

Type	Voltage	Display	Art. no.			
			12 V	24 V	115 V	230 V
W15.51	DC (8 Hz) / 05	5 digits	1.150.510.049.550	1.150.510.050.550		
	DC (10 Hz) / 0		1.150.510.012.550	1.150.510.013.550		
	AC (10 Hz) / a0			1.150.510.051.550	1.150.510.054.550	1.150.510.056.550