

# Cables and connectors

## Preassembled cables

## M12 connection technology

## With connector, 5 pin



**Male connector with external thread, A coded, straight**

**PUR cable, 5 x 0.34 mm<sup>2</sup> [AWG22]**

flame retardant, seawater resistant, recyclable, PWIS free, acid/alkali/oil/ozon/UV resistant, halogen/silicone free, hydrolysis proof, drag chain-adapted, torsion resistant, welding sparks resistant

**Female connector with coupling nut, A coded, straight**



### Order details

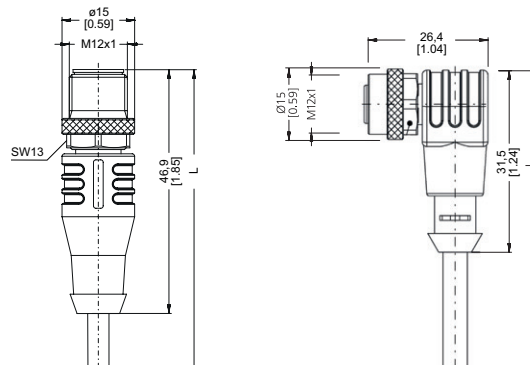
Order no.

Cable length	2 m [6.56']	<b>05.00.6061.6364.002M</b>
	5 m [16.40']	<b>05.00.6061.6364.005M</b>
	...	...
	xx m	<b>05.00.6061.6364.0xxM</b>
	standard cable length (further on request)	xx = length in meters: 2, 5, 10, 15, 20, 30

### Technical data

<b>Connector</b>	
material housing protection	stainless steel V4A / plastic IP67
<b>Wire cross sections</b>	5 x 0.34 mm <sup>2</sup> [AWG22] + shield
<b>Working temperature range</b>	
flexible installation	-30 °C ... +90 °C [-22 °F ... +194 °F]
fixed installation	-40 °C ... +90 °C [-40 °F ... +194 °F]
<b>Bending radius cable min.</b>	
flexible installation	52 mm [2.05"]
fixed installation	26 mm [1.02"]
<b>Cable sheath</b>	
cable diameter approx.	4.7 mm ±0.2 mm
material sheath	PUR

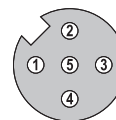
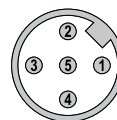
Dimensions in mm [inch]



### Connections

Shield on housing

Plug-in face, A coded



### Suitable for our series

Encoders incremental	Encoders singleturn	Encoders multiturn	Draw-wire encoders	Inclinometers	Slip rings
5000 / 5020	3651 / 3671	M3661(R) / M3681	A41	IN88	SR160
KIS50 / KIH50	M3651A(R) / M3671A	M3668(R) / M3688	A50		
A02H	M3658A(R) / M3678A	M5861	B75		
	M5851A	M5868	B80		
	M5878A	5868 / 5888	C60		
	5858 / 5878	F5868 / F5888	C100		
	F5858 / F5878	S5868FS3 / S5888FS3	C105		
	S5858FS3 / S5878FS3	F5888M Motor-Line	C120		
	S3674	S3684	D120		
			D125		
			D135		