

Hour meters / timers, electromechanical

Timers with DIN dimensions	Small format (AC+DC)	HK17
-----------------------------------	-----------------------------	-------------



The hour meters HK17 feature a very high shock resistance.

These panel-mount counters are available in many panel sizes. They can be used in many different fields of application. These non-resettable counters are extremely tamper-proof.

Characteristics

- 7 or 8-digit hour meter.
- Without reset.
- High shock resistance.
- Small dimensions.
- Magnified large figures.
- Protection IP65 on the front side.
- UL-approved.

Benefits

- Many different front panel sizes and cut-outs.
- Data retention in case of power failure.
- Long service life.

Applications

General time measurement, maintenance intervals for medical equipment (respiration units, oxygen, dialysis), small appliances, UV lamps, display panels in vehicles.

Order code

HK17 . XX1 . XX . 56¹⁾

a Front bezel

- 0 = without front bezel (through housing)
- 2 = small front bezel with clip
- 4 = front bezel with holes at the side

b Type of housing

- 5 = housing black with welded viewing window

c Color

- 1 = black

d Electrical connection

- 11 = flat pin 0.8 x 6.3 mm [0.031 x 0.25"] (optional)
- 39 = screw terminal (standard) with flat pin 0.8 x 6.3 mm [0.031 x 0.25"]

Accessories

	Type / size	Description	Order no.
Gasket counter	55 x 26 mm [2.16 x 1.02]	for HK17.451	N511043
	36 x 24 mm [1.42 x 0.94]	for HK17.251.39.56	N511040

1) 56 for front bezel 36 x 24 mm [1.42 x 0.94"]

Hour meters / timers, electromechanical

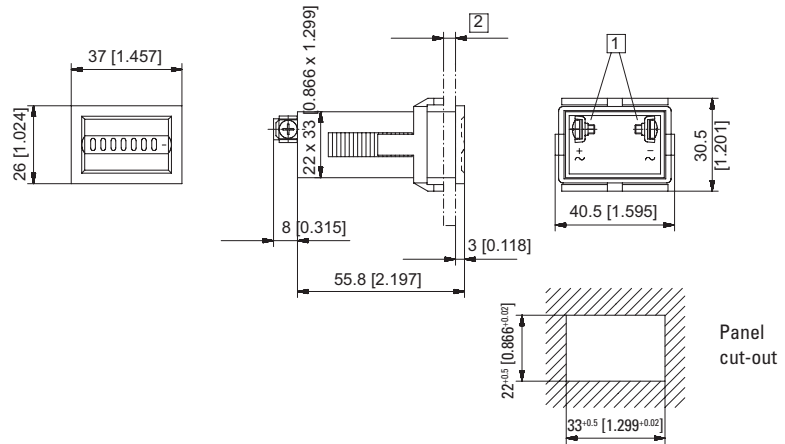
Timers with DIN dimensions		Small format (AC+DC)	HK17
Technical data			
Electrical connection	flat pins 0.8 x 6.3 mm [0.031 x 0.25"] with screw terminals (max. tightening torque 0.8 Nm) or flat pins 0.8 x 6.3 mm [0.031 x 0.25"]		
Power consumption	10 ... 30 V DC 36 ... 80 V DC 100 ... 130 V DC 20 ... 30 V AC, 50 Hz 42 ... 48 V AC, 50 Hz 100 ... 130 V AC, 50 Hz 187 ... 264 V AC, 50 Hz 360 ... 440 V AC, 50 Hz	approx. 500 mW approx. 900 mW approx. 750 mW approx. 0.3 VA approx. 0.25 VA approx. 0.6 VA approx. 1.2 VA approx. 1.65 VA	
Rated voltages	AC (50 or 60 Hz) DC	20 ... 30 V, 42 ... 48 V, 100 ... 130 V, 187 ... 264 V, 360 ... 440 V 10 ... 30 V, 36 ... 80 V, 100 ... 130 V	
Number of digits	7 at AC 8 at DC	99999.99 h 999999.99 h	
Accuracy	AC DC	supply frequency + 30 ms <0.003 % (at 24 h)	
Height of figures	3.8 x 1.7 mm [0.15 x 0.067"] optical		
Color of figures	white and red on black		
Operating temperature	-15 °C ... +50 °C [+5 °F ... +122 °F] (non-condensing)		
Storage temperature	-40 °C ... +85 °C [-40 °F ... +185 °F]		
Relative humidity at +30 °C [+86 °F]	≤ 80 % (non-condensing)		
Altitude	up to 2000 m [6562']		
Mounting position	any		
Protection	IP65 (front side)		
Device safety	designed to protection class application area	EN 61010 part 1 2 pollution level 2	
Housing	plastic PC (Polycarbonate) types with protection IP65 are sealed		
Weight	approx. 40 g [1.41 oz]		
Options			
Counter with flat pin 0.8 x 6.3 mm [0.031 x 0.25"]		Art. no. 3.138.X51.XXX	
Approvals			
UL compliant in accordance with		File no. E128604 ¹⁾	
CE compliant in accordance with			
	EMC Directive	2014/30/EU	
	RoHS Directive	2011/65/EU	
	Low Voltage Directive	2014/35/EU	

1) The version 360 ... 440 V AC is not UL listed

Hour meters / timers, electromechanical

Timers with DIN dimensions **Small format (AC+DC)** **HK17**

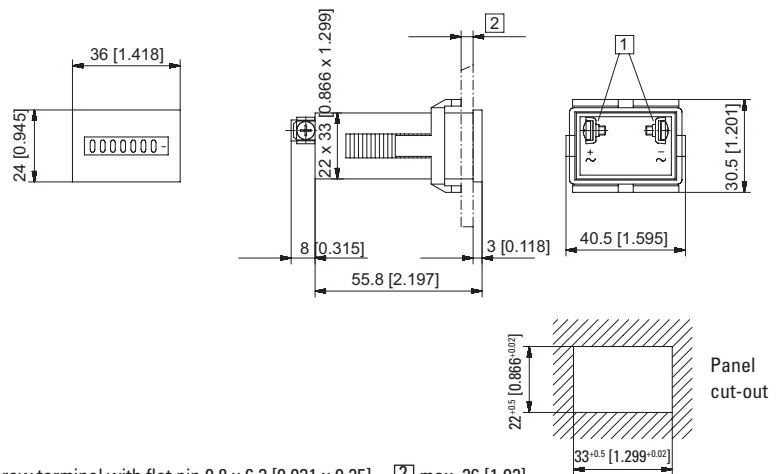
Panel mount with mounting clip
Type HK17.251.39



1 Screw terminal with flat pin 0.8 x 6.3 [0.031 x 0.25] 2 max. 26 [1.02]

Type	Display	Voltage	Art. no.						
			10 ... 30 V	20 ... 30 V	36 ... 80 V	42 ... 48 V	100 ... 130 V	187 ... 264 V	360 ... 440 V
HK17.251.39	7 digits	AC (50 Hz)		3.130.251.071		3.130.251.072	3.130.251.074	3.130.251.075	3.130.251.079
	7 digits	AC (60 Hz)		3.130.251.081		3.130.251.082	3.130.251.084	3.130.251.085	3.130.251.089
	8 digits	DC	3.130.251.351		3.130.251.353		3.130.251.381		

Panel mount with mounting clips
Type HK17.251.39.56



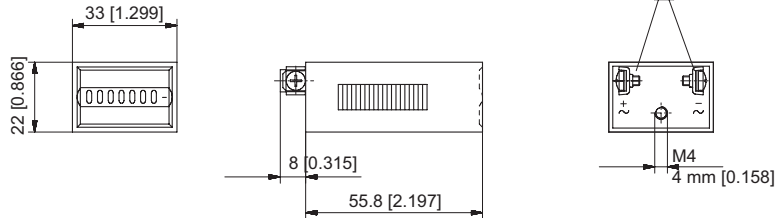
1 Screw terminal with flat pin 0.8 x 6.3 [0.031 x 0.25] 2 max. 26 [1.02]

Type	Display	Voltage	Art. no.						
			10 ... 30 V	20 ... 30 V	36 ... 80 V	42 ... 48 V	100 ... 130 V	187 ... 264 V	360 ... 440 V
HK17.251.39.56	7 digits	AC (50 Hz)		3.130.251.071.056		3.130.251.072.056	3.130.251.074.056	3.130.251.075.056	3.130.251.079.056
	7 digits	AC (60 Hz)		3.130.251.081.056		3.130.251.082.056	3.130.251.084.056	3.130.251.085.056	3.130.251.089.056
	8 digits	DC	3.130.251.351.056		3.130.251.353.056		3.130.251.381.056		

Hour meters / timers, electromechanical

Timers with DIN dimensions **Small format (AC+DC)** **HK17**

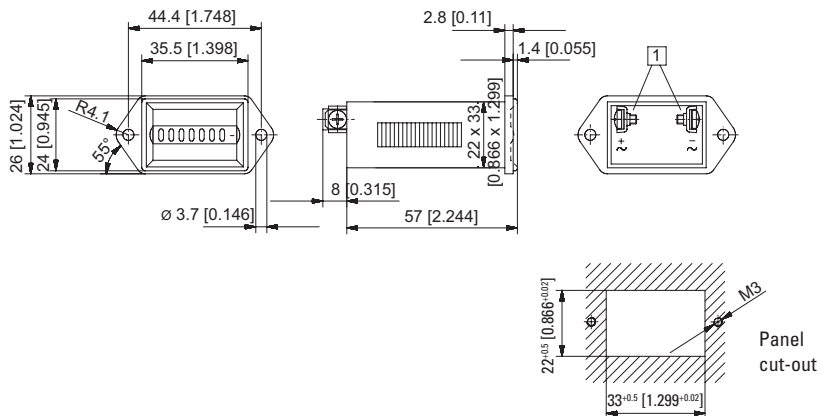
Base mount with central fixing on rear
 Type HK17.051.39



1 Screw terminal with flat pin 0.8 x 6.3 [0.031 x 0.25]

Type	Display	Voltage	Art. no.						
			10 ... 30 V	20 ... 30 V	36 ... 80 V	42 ... 48 V	100 ... 130 V	187 ... 264 V	360 ... 440 V
HK17.051.39	7 digits	AC (50 Hz)		3.130.051.071		3.130.051.072	3.130.051.074	3.130.051.075	3.130.051.079
	7 digits	AC (60 Hz)		3.130.051.081		3.130.051.082	3.130.051.084	3.130.051.085	3.130.051.089
	8 digits	DC	3.130.051.351		3.130.051.353		3.130.051.381		

Panel mount with 2 holes at the side
 Type HK17.451.39



1 Screw terminal with flat pin 0.8 x 6.3 [0.031 x 0.25]

Type	Display	Voltage	Art. no.						
			10 ... 30 V	20 ... 30 V	36 ... 80 V	42 ... 48 V	100 ... 130 V	187 ... 264 V	360 ... 440 V
HK17.451.39	7 digits	AC (50 Hz)		3.130.451.071		3.130.451.072	3.130.451.074	3.130.451.075	3.130.451.079
	7 digits	AC (60 Hz)		3.130.451.081		3.130.451.082	3.130.451.084	3.130.451.085	3.130.451.089
	8 digits	DC	3.130.451.351		3.130.451.353		3.130.451.381		