

# Hour meters / timers, electromechanical

**Timers with DIN dimensions**    **DIN counter for panel mount / DIN rail housing, 48 x 48 mm**    **H57 / AH57**



The hour meters H57, H57.55, H57.72 and AH57 feature a very high shock resistance. These panel / DIN rail mount counters have a reduced mounting depth. They can be used in many different fields of application. These non-resettable counters are extremely tamper-proof.



## Characteristics

- 7 or 8-digit hour meter.
- High shock and impact resistance.
- Without reset, small mounting depth.
- Magnified large figures.
- Protection IP52 (optional IP65), suitable for any mounting position.
- UL-approved.
- Various front bezel sizes
  - H57      48 x 48 mm
  - H57.55    55 x 55 mm
  - H57.72    72 x 72 mm
  - AH57     48 x 48 mm for DIN rail

## Benefits

- 5 years guarantee. <sup>1)</sup>
- High reliability: for a better sale of your final product.
- Data retention in case of power failure.
- Long service life.

## Applications

General time measurement, maintenance intervals for measuring instruments (respiration units, oxygen, dialysis), small appliances, UV lamps, display panels in vehicles

## Type series

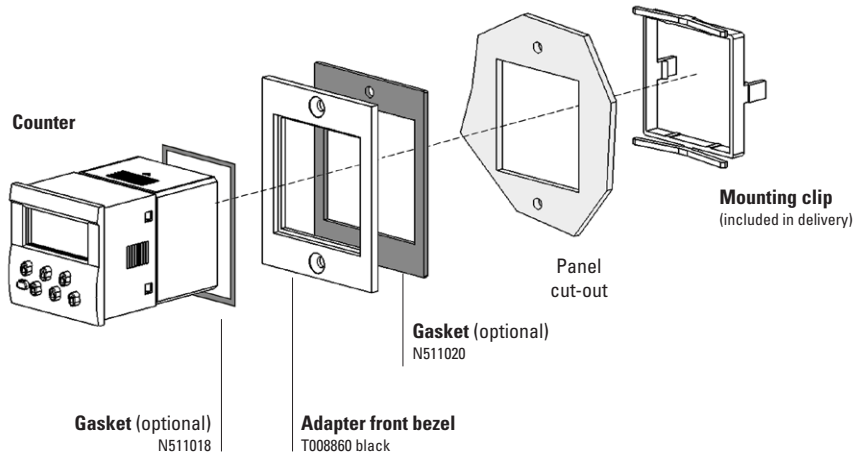
Description	Mounting	Front bezel	Type
Standard DIN timer	clip mounting, on rear	48 x 48 mm [1.89 x 1.89"]	<b>H57</b>
Standard DIN timer	clip mounting, on rear	55 x 55 mm [1.97 x 1.97"]	<b>H57.55</b>
Standard DIN timer	clip mounting, on rear	72 x 72 mm [2.83 x 2.83"]	<b>H57.72</b>
Base mount timer	DIN rail 35 mm [1.38"] acc. to DIN EN 50022		<b>AH57</b>

1) When used as specified in the technical data

# Hour meters / timers, electromechanical

**Timers with DIN dimensions**    **DIN counter for panel mount / DIN rail housing, 48 x 48 mm**    **H57 / AH57**

**Accessories / Mounting examples**



		Type / size	Description		Order no.	suitable gasket
<b>Adapter front bezel</b>		<b>55 x 55 mm</b> <b>[2.17 x 2.17]</b>	for cut-out 50 x 50 mm [1.97 x 1.97"] or ø 50,5 mm [1.99"] to cut-out 45 x 45 mm [1.77 x 1.77"]	grey black	<b>T008170</b> <b>T008171</b>	<b>N511017</b>
		<b>55 x 55 mm</b> <b>[2.17 x 2.17]</b>	for cut-out 50 x 50 mm [1.97 x 1.97"] to cut-out 45 x 45 mm [1.77 x 1.77"]	black	<b>T008853</b>	<b>N511004</b>
		<b>60 x 75 mm</b> <b>[2.36 x 2.95]</b>	for cut-out 50 x 50 mm [1.97 x 1.97"] to cut-out 45 x 45 mm [1.77 x 1.77"]	black	<b>T008860</b>	<b>N511020</b>
		<b>72 x 72 mm</b> <b>[2.83 x 2.83]</b>	for cut-out 68 x 68 mm [2.68 x 2.68"] to cut-out 45 x 45 mm [1.77 x 1.77"]	grey black Mating clip	<b>T008176</b> <b>T008177</b> <b>T009420</b>	<b>N511016</b>
		<b>ø 72 mm</b> <b>[2.83]</b>	for cut-out ø 60 mm [2.36"] to cut-out 45 x 45 mm [1.77 x 1.77"]	black	<b>N510226</b>	–
<b>Gasket counter</b>			48 x 48 mm (for installation in adapter front bezel)		<b>N511018</b>	
<b>Mounting frame</b>		<b>cut-out</b> <b>50 x 50 mm</b> <b>[2.36 x 2.36]</b>	for snap-on mounting on 35 mm [1.38"] top-hat DIN rail	chromated	<b>G300003</b>	
<b>Base mount socket</b>				black	<b>G008040</b>	

# Hour meters / timers, electromechanical

## Timers with DIN dimensions    DIN counter for panel mount / DIN rail housing, 48 x 48 mm    H57 / AH57

Technical data															
<b>Electrical connection</b>	screw terminals (tightening torque max. 0.8 Nm) wire entry from behind, for $\varnothing$ 2.5 mm <sup>2</sup> [AWG13]														
<b>Power consumption</b>	<table border="0"> <tr> <td>10 ... 30 V DC</td> <td>approx. 500 mW</td> </tr> <tr> <td>100 ... 130 V DC</td> <td>approx. 750 mW</td> </tr> <tr> <td>20 ... 30 V AC, 50 Hz</td> <td>approx. 0.3 VA</td> </tr> <tr> <td>42 ... 48 V AC, 50 Hz</td> <td>approx. 0.25 VA</td> </tr> <tr> <td>100 ... 130 V AC, 50 Hz</td> <td>approx. 0.6 VA</td> </tr> <tr> <td>187 ... 264 V AC, 50 Hz</td> <td>approx. 1.2 VA</td> </tr> <tr> <td>360 ... 440 V AC, 50 Hz</td> <td>approx. 1.65 VA</td> </tr> </table>	10 ... 30 V DC	approx. 500 mW	100 ... 130 V DC	approx. 750 mW	20 ... 30 V AC, 50 Hz	approx. 0.3 VA	42 ... 48 V AC, 50 Hz	approx. 0.25 VA	100 ... 130 V AC, 50 Hz	approx. 0.6 VA	187 ... 264 V AC, 50 Hz	approx. 1.2 VA	360 ... 440 V AC, 50 Hz	approx. 1.65 VA
10 ... 30 V DC	approx. 500 mW														
100 ... 130 V DC	approx. 750 mW														
20 ... 30 V AC, 50 Hz	approx. 0.3 VA														
42 ... 48 V AC, 50 Hz	approx. 0.25 VA														
100 ... 130 V AC, 50 Hz	approx. 0.6 VA														
187 ... 264 V AC, 50 Hz	approx. 1.2 VA														
360 ... 440 V AC, 50 Hz	approx. 1.65 VA														
<b>Rated voltages</b>	<table border="0"> <tr> <td>AC (50 or 60 Hz)</td> <td>20 ... 30 V, 42 ... 48 V, 100 ... 130 V, 187 ... 264 V, 360 ... 440 V</td> </tr> <tr> <td>DC</td> <td>10 ... 30 V, 36 ... 80 V, 100 ... 130 V</td> </tr> </table>	AC (50 or 60 Hz)	20 ... 30 V, 42 ... 48 V, 100 ... 130 V, 187 ... 264 V, 360 ... 440 V	DC	10 ... 30 V, 36 ... 80 V, 100 ... 130 V										
AC (50 or 60 Hz)	20 ... 30 V, 42 ... 48 V, 100 ... 130 V, 187 ... 264 V, 360 ... 440 V														
DC	10 ... 30 V, 36 ... 80 V, 100 ... 130 V														
<b>On time</b>	100 %														
<b>Number of digits</b>	<table border="0"> <tr> <td>7 at AC</td> <td>99999.99 h</td> </tr> <tr> <td>8 at DC</td> <td>999999.99 h</td> </tr> </table>	7 at AC	99999.99 h	8 at DC	999999.99 h										
7 at AC	99999.99 h														
8 at DC	999999.99 h														
<b>Count mode</b>	adding														
<b>Height of figures</b>	4 mm [0.16"]														
<b>Color of figures</b>	white and red on black														
<b>Operating temperature</b>	-15 °C ... +50 °C [+5 °F ... +122 °F] (non-condensing)														
<b>Storage temperature</b>	-40 °C ... +85 °C [-40 °F ... +185 °F]														
<b>Relative humidity at +30 °C [+86 °F]</b>	≤ 80 % (non-condensing)														
<b>Altitude</b>	up to 2000 m [6562']														
<b>Mounting position</b>	any														
<b>Protection</b>	IP52, DIN 40050 (front side)														
<b>Device safety</b>	<table border="0"> <tr> <td>designed to</td> <td>EN 61010 part 1</td> </tr> <tr> <td>protection class</td> <td>2</td> </tr> <tr> <td>application area</td> <td>pollution level 2</td> </tr> </table>	designed to	EN 61010 part 1	protection class	2	application area	pollution level 2								
designed to	EN 61010 part 1														
protection class	2														
application area	pollution level 2														
<b>Housing</b>	plastic PC (Polycarbonate)														
<b>Accuracy</b>	<table border="0"> <tr> <td>AC</td> <td>supply frequency + 30 ms</td> </tr> <tr> <td>DC</td> <td>&lt; 0.003 % (at 24 h)</td> </tr> </table>	AC	supply frequency + 30 ms	DC	< 0.003 % (at 24 h)										
AC	supply frequency + 30 ms														
DC	< 0.003 % (at 24 h)														
<b>Weight</b>	<table border="0"> <tr> <td>H57</td> <td>approx. 48 g [1.69 oz]</td> </tr> <tr> <td>base mount socket no. 48</td> <td>36 g [1.27 oz]</td> </tr> <tr> <td>slip-on bezel 55</td> <td>8 g [0.28 oz]</td> </tr> <tr> <td>slip-on bezel 72</td> <td>13 g [0.46 oz]</td> </tr> </table>	H57	approx. 48 g [1.69 oz]	base mount socket no. 48	36 g [1.27 oz]	slip-on bezel 55	8 g [0.28 oz]	slip-on bezel 72	13 g [0.46 oz]						
H57	approx. 48 g [1.69 oz]														
base mount socket no. 48	36 g [1.27 oz]														
slip-on bezel 55	8 g [0.28 oz]														
slip-on bezel 72	13 g [0.46 oz]														
<b>Operating indicator of the running time meter</b>	<table border="0"> <tr> <td>AC</td> <td>fast rotating wheel with red dashes</td> </tr> <tr> <td>DC</td> <td>1/100 h display turns continuously by 1 digit in 36 s</td> </tr> </table>	AC	fast rotating wheel with red dashes	DC	1/100 h display turns continuously by 1 digit in 36 s										
AC	fast rotating wheel with red dashes														
DC	1/100 h display turns continuously by 1 digit in 36 s														
<b>Test voltage</b>	2000 V AC, 50 Hz for AC counters														

Options							
<b>Housing color</b>	grey Art. no. 3.22X.400.XXX						
<b>Timer H57.55 mounted with adapter front bezel 55 x 55 mm [2.17 x 2.17"]</b>	Art. no. 3.221.XXX.XXX						
<b>Timer H57.72 mounted with adapter front bezel 72 x 72 mm [2.83 x 2.83"]</b>	Art. no. 3.222.XXX.XXX						
<b>Electrical connection</b>	flat pin 0.8 x 6.3 mm [0.031 x 0.25"] Art.-No.: 3.228.401.XXX						
<b>IP65 version, welded front cover</b>	<table border="0"> <tr> <td>H57</td> <td>Art. no. 3.220.XXX.XXX.422</td> </tr> <tr> <td>H57.55</td> <td>Art. no. 3.221.XXX.XXX.423</td> </tr> <tr> <td>H57.72</td> <td>Art. no. 3.222.XXX.XXX.424</td> </tr> </table>	H57	Art. no. 3.220.XXX.XXX.422	H57.55	Art. no. 3.221.XXX.XXX.423	H57.72	Art. no. 3.222.XXX.XXX.424
H57	Art. no. 3.220.XXX.XXX.422						
H57.55	Art. no. 3.221.XXX.XXX.423						
H57.72	Art. no. 3.222.XXX.XXX.424						
<b>Required gaskets</b>	between the counter and the bezel						
	H57 N511018						
<b>Gasket set</b>	<table border="0"> <tr> <td>H57.55</td> <td>N511018 + N511017</td> </tr> <tr> <td>H57.72</td> <td>N511018 + N511016</td> </tr> </table>	H57.55	N511018 + N511017	H57.72	N511018 + N511016		
H57.55	N511018 + N511017						
H57.72	N511018 + N511016						
(with the IP65 version, the gasket is included in the delivery)							
Further voltages on request							
Counter with cable inlet from underneath, screw fixing from rear Art. no. 3.220.401.XXX.044							

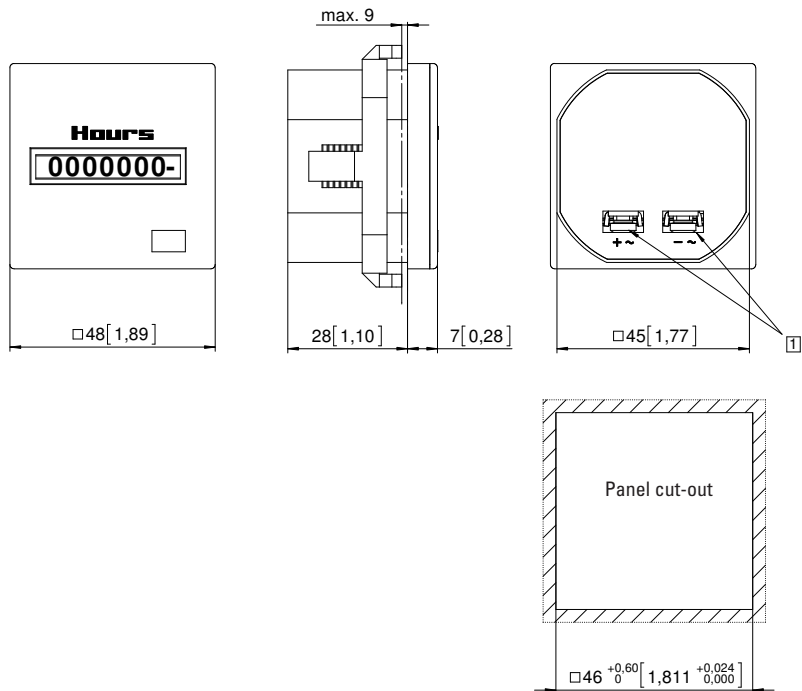
Approvals	
<b>UL compliant</b> in accordance with	File no. E128604 <sup>1)</sup>
<b>CE compliant</b> in accordance with	
EMC Directive	2014/30/EU
RoHS Directive	2011/65/EU
Low Voltage Directive	2014/35/EU

1) The version 360 ... 440 V AC is not UL listed.

# Hour meters / timers, electromechanical

**Timers with DIN dimensions**     **DIN counter for panel mount / DIN rail housing, 48 x 48 mm**     **H57 / AH57**

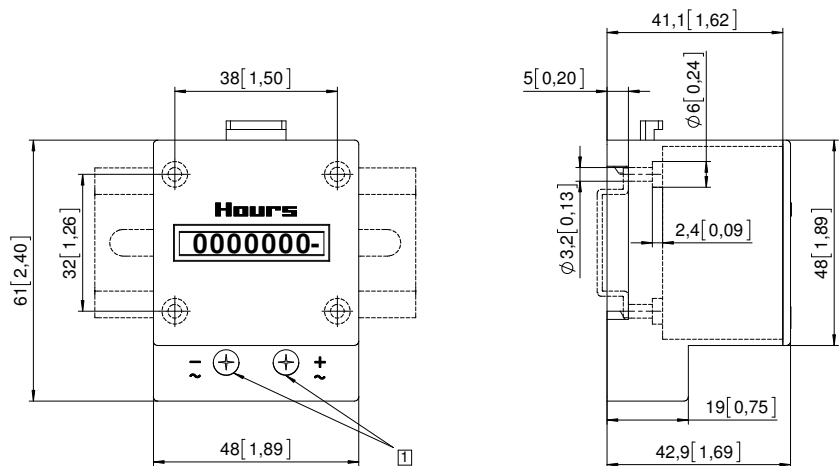
Standard DIN timer  
clip mounting, on rear  
Type H57



1 Screw terminal with flat pin x 6.3 [0.031 x 0.25]

Type	Display	Voltage	Art. no.					
			10 ... 30 V	20 ... 30 V	42 ... 48 V	100 ... 130 V	187 ... 264 V	360 ... 440 V
H57	7 digits	AC (50 Hz)		3.220.401.071	3.220.401.072	3.220.401.074	3.220.401.075	3.220.401.079
	7 digits	AC (60 Hz)		3.220.401.081	3.220.401.082	3.220.401.084	3.220.401.085	3.220.401.089
	8 digits	DC	3.220.401.351			3.220.401.381		
Further stock types:			3.220.401.075.422	187... 264 V AC, IP65				
			3.220.401.351.422	10 ... 30 V DC, IP65				

Base mount timer  
DIN rail mount 35 [1.38] acc. to DIN EN 50022  
Type AH57



1 Screw terminals

Type	Display	Voltage	Art. no.					
			10 ... 30 V	20 ... 30 V	42 ... 48 V	100 ... 130 V	187 ... 264 V	360 ... 440 V
AH57	7 digits	AC (50 Hz)		3.223.401.071	3.223.401.072	3.223.401.074	3.223.401.075	3.223.401.079
	7 digits	AC (60 Hz)		3.223.401.081	3.223.401.082	3.223.401.084	3.223.401.085	3.223.401.089
	8 digits	DC	3.223.401.351			3.223.401.381		