

**LED pulse counters**      **2 counters with separate inputs and separate scaling (DC)**      **Codix 52C**



The Codix 52C is a voltage powered dual pulse counter with separate inputs and separate scaling, for fast and slow count pulses, with 6-digit LED display for NPN, PNP input signals and display switching between A, B, A-B, A+B, A/B, (A-B)/A [%].



<b>DC</b> 10 ... 30 V	<b>000000</b> DIN 48x24	<b>-20°... +65°C</b> Temperature range	<b>IP65</b> High protection level	<b>Prog</b> Menu-driven programming	<b>max.</b> 25 kHz Pulse counter/ Totalizer	<b>PNP/NPN</b> Input type
Supply voltage	DIN front bezel	Temperature range	High protection level	Menu-driven programming	Pulse counter/ Totalizer	Input type

### Powerful

- Single channel dual totalizer with 2 separate inputs
  - programmable for positive (PNP) or 0V (NPN) switching input pulses
  - fast count inputs with an input frequency of max. 25 kHz. Can be damped to 30 Hz for mechanical contacts.
- Robust housing – IP65 protected.
- Very bright LED display, 8 mm high.
- Short start-up time – detects input pulses just 16 msec after being switched on => no pulses are lost with a simultaneous motor start-up.

### User-friendly and universal

- Large keys – can also be operated when wearing gloves.
- Simple uniform menu-driven programming and operation – possible to enter the programming also during operation with a confirmation prompt.
- Individually programmable scaling for inputs A and B multiplication and division factor (0.0001...99.9999), to display corresponding units in, for example, litres, length or packaging size.
- Simple display switching from A to B or A+B, A-B, A/B, (A-B)/A [%].
- DC supply voltage.
- As an alternative to the HTL units, models are also available with a fixed signal level threshold >4 ... 30 V DC for use with TTL signals.
- Reset manual or electrical, programmable separately for both counters (the reset can also be locked out).

**Order code**      **6.52C . 012 . 3X0**

**a** Input switching level  
 0 = Standard (HTL)  
 A = 4 ... 30 V DC  
     LOW 0 ... 2 V DC  
     HIGH 4 ... 30 V DC

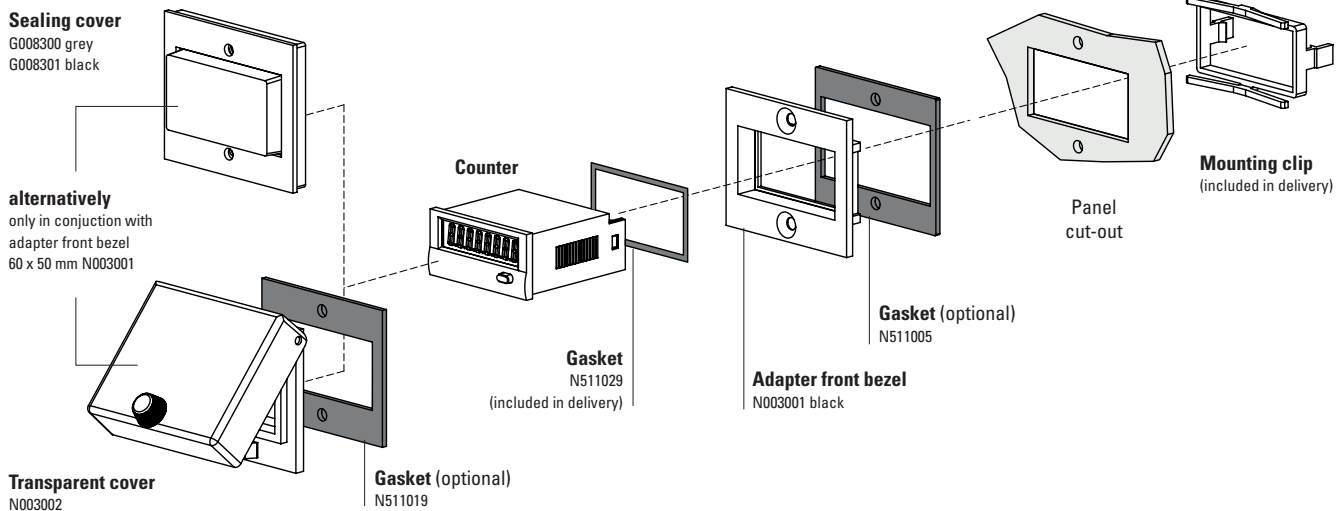
**Delivery specification**

- Counter
- Mounting clip
- Front bezel for screw mounting (T008181) 56 x 40 mm [2.20 x 1.57"], panel cut-out 50 x 25 mm [1.97 x 0.98"]
- Front bezel for clip mounting (T008180) 53 x 28 mm [2.09 x 1.10"], panel cut-out 50 x 25 mm [1.97 x 0.98"]
- Gasket
- Instruction manual, multilingual

# Pulse counters, electronic

**LED pulse counters**      **2 counters with separate inputs and separate scaling (DC)**      **Codix 52C**

**Accessories / Mounting examples**



		Type / size	Description		Order no.	suitable gasket
<b>Adapter front bezel</b>		<b>53 x 28 mm</b> [2.09 x 1.10"]	for cut-out 50 x 25 mm [1.97 x 0.98"] to cut-out 45 x 22.2 mm [1.77 x 0.94"]	grey black anthracite	<b>T008164</b> <b>T008165</b> <b>T008180</b>	<b>N511015</b>
		<b>56 x 40 mm</b> [2.20 x 1.57"]	for cut-out 50 x 25 mm [1.97 x 0.98"] to cut-out 45 x 22.2 mm [1.77 x 0.94"] screw mounting	black anthracite	<b>T008161</b> <b>T008181</b>	<b>N511045</b>
		<b>72 x 36 mm</b> [2.83 x 1.42"]	for cut-out 68 x 33 mm [2.68 x 1.30"] to cut-out 45 x 22.2 mm [1.77 x 0.94"]	black and silver anodised as set	<b>162704Set</b>	–
		<b>60 x 50 mm</b> [2.36 x 1.97"]	for cut-out 54 x 29 mm [2.13 x 1.14"] to cut-out 45 x 22.2 mm [1.77 x 0.94"] screw mounting	black	<b>N003001</b>	<b>N511005</b>
		<b>48 x 48 mm</b> [1.89 x 1.89"]	for cut-out 45 x 45 mm [1.77 x 1.77"] to cut-out 45 x 22.2 mm [1.77 x 0.94"]	black	<b>T008883</b>	–
<b>Sealing cover IP65</b>		<b>K1</b>	only in conjunction with adapter front bezel 60 x 50 mm N003001	transparent / grey transparent / black	<b>G008300</b> <b>G008301</b>	–
<b>Transparent cover IP65</b>		<b>1 Dv</b> (mounted on bezel)	cover lockable, for cut-out 54 x 29 mm [2.13 x 1.14"], only in conjunction with adapter front bezel 60 x 50 mm N003001	transparent / black	<b>N003002</b>	<b>N511019</b>
<b>Gasket counter</b>			48 x 24 mm (for installation in adapter front bezel) 49 x 25 mm		<b>N511029</b> <b>N511034</b>	
<b>Mounting frame</b>		<b>cut-out</b> <b>50 x 25 mm</b> [1.97 x 0.98"]	via adapter T008180 for snap-on mounting on 35 mm [1.38"] top-hat DIN rail	chromated	<b>G300004</b>	–
<b>Enclosure blind</b>		<b>48 x 24 mm</b> [1.89 x 0.94"]	for cut-out 45 x 22.2 mm [1.77 x 0.94"] and cut-out 50 x 25 mm [1.97 x 0.98"]	anthracite	<b>G003836</b>	–

incl. in delivery

# Pulse counters, electronic

**LED pulse counters**      **2 counters with separate inputs and separate scaling (DC)**      **Codix 52C**

**Technical data**

General technical data	
<b>Display</b>	6 digits, red 7 segment LED display; 8 mm [0.32"] high
<b>Data backup</b>	EEPROM
<b>Operating temperature</b>	10 ... 26 V DC    -20 °C ... +65 °C [-4 °F ... +149 °F] > 26 ... 30 V DC    -20 °C ... +55 °C [-4 °F ... +131 °F] (non-condensing)
<b>Storage temperature</b>	-25 °C ... +70 °C [-13 °F ... +158 °F]

Electrical characteristics	
<b>Supply voltage</b>	10 ... 30 VDC, with reverse polarity protection
<b>Current consumption</b>	max. 40 mA

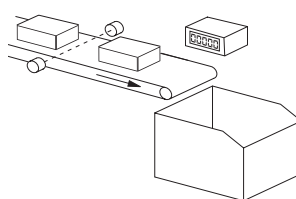
Mechanical characteristics	
<b>Housing</b>	front panel mount 48x24 mm [1.89 x 0.94"] acc. to DIN 43700; RAL 7021, dark grey
<b>Protection</b>	IP65 (front side)
<b>Weight</b>	approx. 50 g [1.76 oz]
<b>Vibration resistance</b> acc. to EN 60068-2-6	10 ... 55 Hz / 1 mm [0.04"] / 30 min
<b>Shock resistance</b> acc. to EN 60068-2-27	100 G: 2 ms 10 G: 6 ms

Inputs	
<b>Polarity of inputs</b>	programmable, NPN or PNP for all inputs
<b>Input resistance</b>	approx. 5 kΩ
<b>Counting frequency</b>	max. 25 kHz, can be damped to 30 Hz
<b>Minimum pulse duration of the reset input</b>	5 ms
<b>Input switching level standard version (HTL)</b>	LOW 0 ... 0.2 x U <sub>B</sub> (V DC) HIGH 0.6 x U <sub>B</sub> ... 30 V DC
<b>Input switching level at 4 ... 30 V DC</b>	LOW 0 ... 2 V DC HIGH 4 ... 30 V DC

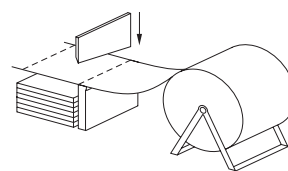
Approvals	
<b>UL compliant</b> in accordance with	File no. E128604
<b>CE compliant</b> in accordance with	
EMC Directive	2014/30/EU
RoHS Directive	2011/65/EU

**Application examples for the dual totalizer with separate inputs**

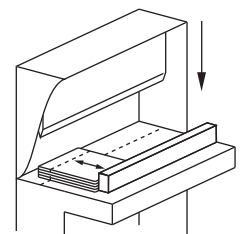
- Logging of piece count and overall total
- Totalizing of flow volumes, quantities and other scalable
- Counting tasks, such as quantities and piece counting
- Accessories, OEM or retrofit equipment for production machinery
- Piece counting on die-cutters, presses, extruders, wood-processing machines, drilling machines, pick-and-place machines, guillotines, special vehicles
- Measurement of two different values in just one device: e.g. with 2 inputs both the piece count and the number of packages can be counted
- Recording of the total results from 2 work-shifts



Total piece count as well as packing units

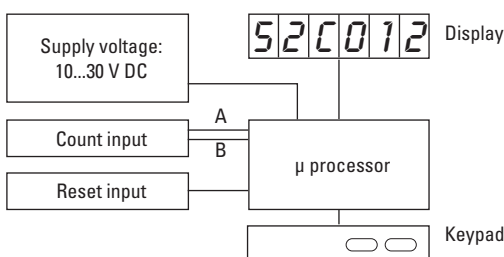


Individual and total quantities

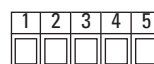


Individual and total quantity from 2 work-shifts

**Block diagram**



**Terminal assignment**



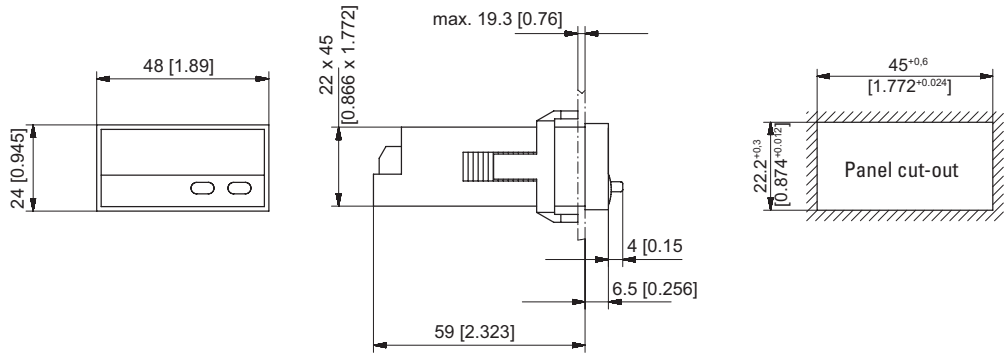
PIN	
1	10 ... 30 V DC
2	0 V GND
3	INP A
4	INP B
5	Reset

# Pulse counters, electronic

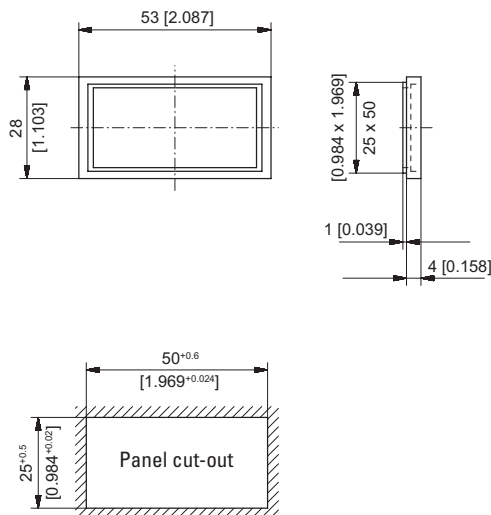
**LED pulse counters**      **2 counters with separate inputs and separate scaling (DC)**      **Codix 52C**

## Dimensions

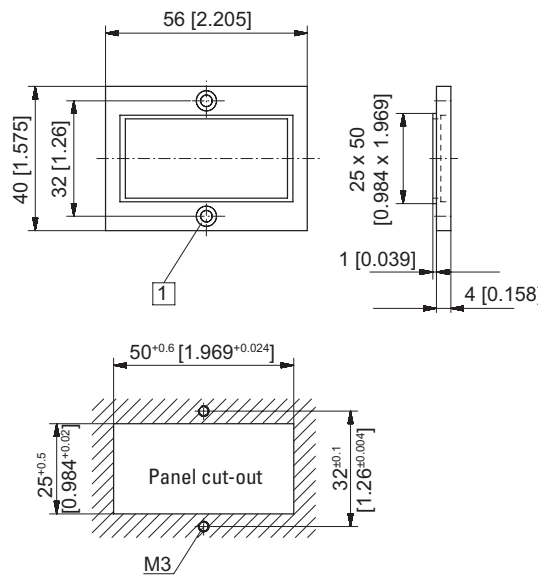
Dimensions in mm [inch]



### Front bezel for clip mounting (included in delivery)



### Front bezel for screw mounting (included in delivery)



1 Countersinking Af3, DIN 74