

Frequency displays / tachometers with limits

LED tachometers	Dual frequency displays with 4 outputs and analog output (AC+DC)	574
------------------------	---	------------



Frequency display for demanding applications, with two individually scalable encoder inputs, in each case A, /A, B, /B for count frequencies up to 1 MHz per channel (also for single channel use).

Operating modes can be selected for tachometer or frequency display with measurements for difference, total value, product or ratio (also with reciprocal display).

AC/DC 24/17...30V Power supply	DIN 96 x 48 DIN front bezel	IP65 High protection level	max. 1 MHz 2 separate pulse inputs	Operation with gloves	TTL, HTL and RS422-input	6 LED LED display	DC OUT 5 / 24 V 2 x Sensor supply	mA, V Analog output optional	4 Transistor output	RS232 Interface
---	---------------------------------------	--------------------------------------	--	------------------------------	---------------------------------	-----------------------------	---	--	-------------------------------	---------------------------

Innovative

- 2 separate freely scalable frequency inputs: HTL or TTL (both also with inverted inputs), max. input frequency 1 MHz/channel.
- Very bright LED display, 15 mm high (6 digits).
- 4 freely programmable fast solid-state outputs, each with 350 mA output current.
- Many different output modes.
- Simple programming – with function codes, dependent on the operating mode selected.
- With 9 fixed different frequency functions, e.g.:
 - Single, difference and total value measurement of both inputs.
 - Product and ratio measurement.
 - Percentage measurement.
 - In-process time calculated from frequency (reciprocal speed).

Compact and multifunctional

- Up to 3 display values in a single device: display counter 1, display counter 2 as well as the display calculated from counter 1 and 2.
- AC and DC power supply in one device.
- Simple programming with 4 keys, all keys can be assigned dual programming functions.
- Can be used as a frequency display or tachometer with limit values.
- Monitoring function, where 2 values are monitored or calculated with respect to each other.
- 4 fast programmable inputs with various functions such as start delay, key lockout, display memory, reference input or switching between the display values.
- Scalable analog output 0/4 ... 20 mA, +/-10 V or 0 ... 10 V.
- Standard interface RS232 for parameter setting, for reading out the values to a PC or PLC, for modifications during operation.

Order specifications

4 fast switch outputs, serial interface (RS232)	Order no.	Delivery specification
6 digits	6.574.0116.D05	• Controller 574
6 digits, scalable analog output	6.574.0116.D95	• Gasket
6 digits, RS232 and RS485	6.574.0116.D07	• Fastening set
		• Instruction manual German/English

Accessories

Accessories	Dimensions in mm [inch]	Order no.
Mounting frame for DIN rail mount	with cut-out 92 x 45 [3.62 x 1.77]	G300005



OS6.0 software for parameter setting	can be downloaded at www.kuebler.com
--------------------------------------	---

Suitable gaskets as well as further accessories can be found in the accessories section or in the accessories area of our website at: www.kuebler.com/accessories.

Frequency displays / tachometers with limits

LED tachometers Dual frequency displays with 4 outputs and analog output (AC+DC) **574**

Technical data

General technical data

Display	6-digit	LED display, 15 mm [0.59"] high
Operating temperature	0°C ... +45°C [+32°F ... +113°F] (non-condensing)	
Storage temperature	-25°C ... +70°C [-13°F ... +158°F]	

Electrical characteristics

Power supply	24 V AC, + 10 % 24 (17 ... 30) V DC	
Current consumption DC	100 mA + current consumption encoder	
Connected load AC	15 VA	
Auxiliary power supply (for sensors)	2 x 5.2 V DC, each 150 mA 2 x 24 V DC, each 120 mA	
EMC standards	EN 55011 class B, EN 61000-6-2, EN 61000-6-3 EN 61326-3-2	
Device safety	designed to protection class application area	EN 61010 part 1 2 pollution level 2

Mechanical characteristics

Housing material	Noryl UL94-V-0	
Screw terminal	cable cross-section	max. 1.5 mm ² [AWG 15]
Protection	IP65 from front	
Weight	approx. 250 g [8.82 oz]	

Inputs

2 universal incremental encoder inputs	
Count frequency (per encoder)	
RS422 and TTL with inv.	1 MHz
HTL asymmetric	200 kHz
TTL asymmetric	200 kHz

Entrées de commande

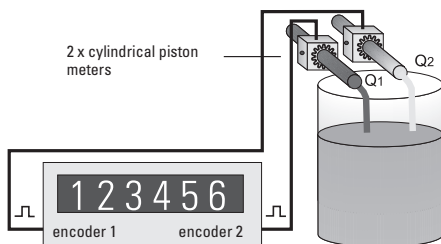
4 control inputs HTL	
Ri	3.3 kOhm
Low	< 2.5 V
High	> 10 V
min. pulse duration	50 µs

Outputs

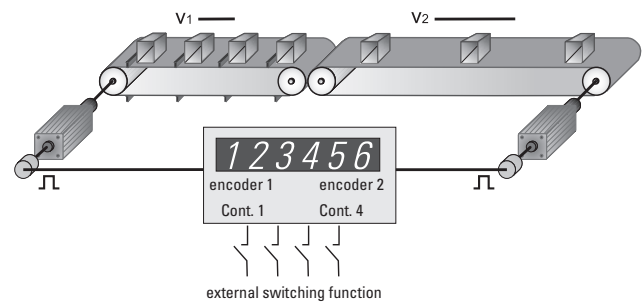
Switch outputs	
4 fast power transistors	5 ... 30 V DC, 350 mA
reaction time	< 1 ms ¹⁾
inductive loads require a freewheeling diode	
Serial interface	
	RS232, 2400 ... 38400 baud
	RS485 (6.574.0116.D07)
Analog outputs (6.574.0116.D95)	
0 / 4 ... 20 mA	load max. 270 Ohm
0 ... +10 V	max. 2 mA
Resolution	14 bit
precision	0.1 %
reaction time	< 1 ms

Application examples

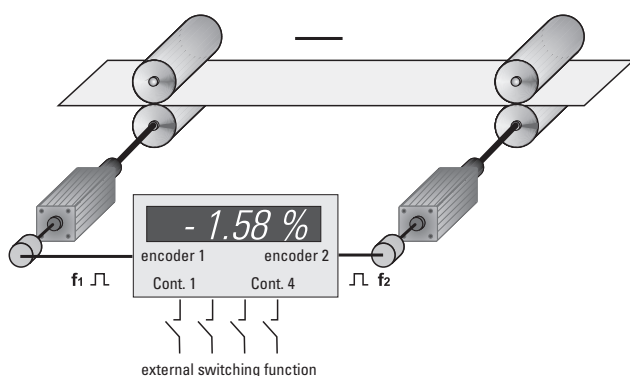
Total flow rate



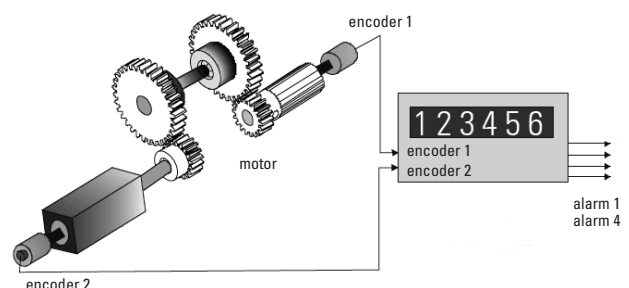
Speed difference



Material stretching to create tensile stress



Monitoring of torsion, shafts or gear breakage

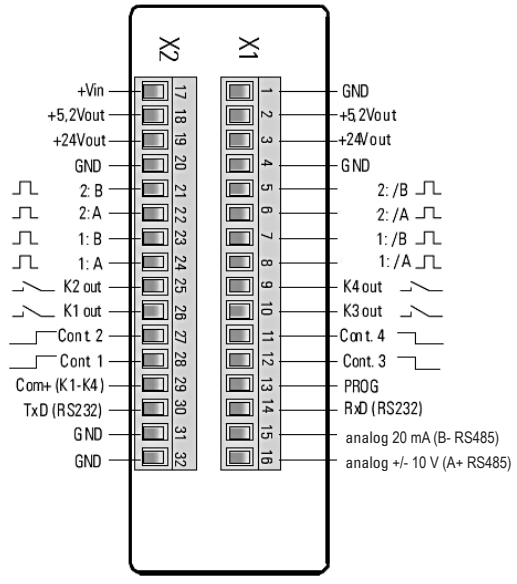


1) Intensive serial communication can temporarily increase the reaction time.

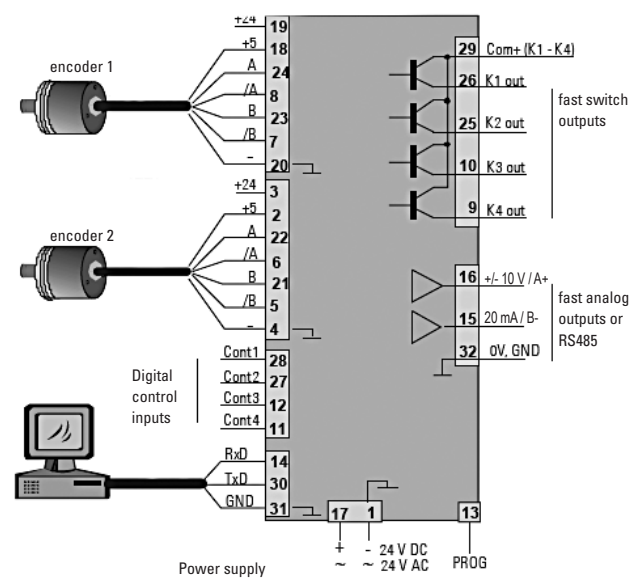
Frequency displays / tachometers with limits

LED tachometers Dual frequency displays with 4 outputs and analog output (AC+DC) 574

Terminal assignment



Application examples



Dimensions

Dimensions in mm [inch]

