

Pulse counters, electronic

LCD modules	Adding, 6 digits (DC)	192
--------------------	------------------------------	------------



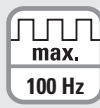
Type 192 is a single channel counter module for PCB mounting, with a large voltage range of 8 up to 28 V DC and a 6-digit LCD display.

Extremely robust as a result of its wide temperature range, the module is ideally suited for use in many application areas.



8 ... 28 V

Power supply



100 Hz

Max. count frequency

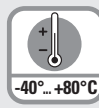


PNP

Input type

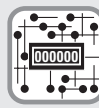


High shock resistance



-40°...+80°C

Temperature range



PCB mount



7 LCDs

LCD display



Electrical reset

Powerful

- Count frequency up to 100 Hz.
- 6-digits LCD display, 5 mm high.
- Low operating current.
- Wide operating voltage and temperature range.
- High shock and vibration resistance.

Simple

- Non-volatile memory (no battery).
- Single channel count input.
- Electrical reset.
- Very high reliability.
- Small size and very competitive price.

Order no.

Power supply

8 ... 28 V DC

Order no.

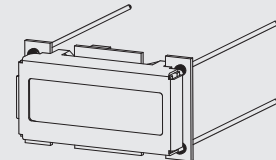
6.192.012.H00 ¹⁾

Art. no.

162 135

Delivery specification

- LCD counter module type 192
- Operating instructions



1) Stock types.

Pulse counters, electronic

LCD modules	Adding, 6 digits (DC)	192
--------------------	------------------------------	------------

Technical data

General technical data	
Display	6 digits, LCD display, figure height 5 mm [0.20"]
Data backup	EEPROM
Memory	CMOS EEPROM. non-volatile memory data backup up to 10 years (without battery)
Operating / working / storage temperature	-40°C ... +85°C [-40°F ... +185°F] (non-condensing)
Humidity	95 % rel +32°C [+90°F] for 2 hours

Inputs	
Count input	8 ... 28 V DC
max. counting frequency	100 Hz
Reset input	8 ... 28 V DC
pulse length	min. 500 msec

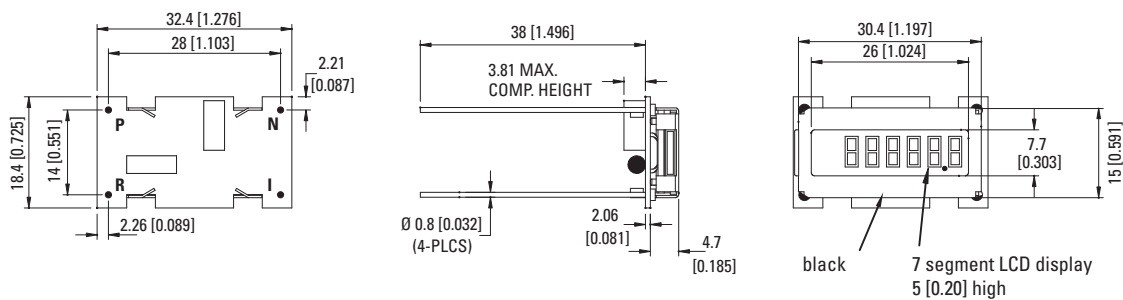
Pulse counters

Electrical characteristics	
Power supply	8 ... 28 V DC
Current consumption	max. 3 mA at 4.5 V DC 10 mA at 28 V DC
EMC standards	EN 55011 class B EN 61000-6-2, EN 61000-6-3, EN 61326-1, EN 61326-3-1
The module must be protected against inductive voltage spikes and high energy noise interference.	

Mechanical characteristics	
Housing	dimensions 18.4 x 32.4 mm [0.72 x 1.28"] color black
Weight	approx. 8 g [0.28 oz]
Vibration resistance acc. to EN 60068-2-6	10 ... 80 m/s ² , 10 ... 75 Hz

Dimensions

Dimensions in mm [inch]



Terminal assignment

