

LCD-Display counter 184



- 8 digit up/down counter
- Clearly readable due to leading zero blanking
- Range 9999 9999
- Power supply and data retention by an internal lithium battery up to 10 Years at 20 °C ambient temperature
- Max. count frequency 10 kHz
- Manual and electrical reset
- Locking of the key reset
- DIN housing 48 x 24 mm with clip mount

- Additional bezel for screw mounting
- Protection IP 65

Applications:

Count control via encoder by two signals shifted by 90°
Use in device without external power

Technical data:

| | |
|---------------------------|--|
| Power supply: | built in lithium battery (appr. 10 Years at 20 °C) |
| Display: | LCD, 8 digit, height of figures 7 mm |
| Counting system | add./subtr. |
| Display range: | 9999 9999 , overflow at add. count mode from 9999 9999 to zero, overflow at subtr. count mode from zero to 9999 9999 |
| Immunity to interference: | EN 50081-1 |
| Emitted interference: | EN 55022 Class B |
| Colour of housing: | black |
| Ambient temperature: | -10 °C ... +60 °C |
| Storage temperature: | -10 °C ... +60 °C |
| Protection: | IP 65 from front side |
| Weights: | 0.184.012.830: 30 g 0.184.01X.831: 42 g 0.184.012.832: 42 g |

Type 0.184.012.830 and 0.184.012.832

| | |
|---------------|---|
| Inputs: | |
| Reset: | static reset input; no counting while this input is connected to 0 V. Min. pulse length: 25 ms Contact closure/open collector (NPN switching to 0 V) |
| Reset enable: | electrical enabling of the reset button. Contact closure input switching to 0 V (link to 0 V to enable reset button) |

Type 0.184.012.830

| | |
|------------------|--|
| Count input: | Max. count frequency 10 kHz min. pulse time 50 µs counting with negative pulse (NPN) |
| Count direction: | switching to 0 V or open collector (NPN) Input open: add. count Input to 0 V: subtr. count |

| | |
|------------------|---|
| Switching level: | Low: 0 ... 0.7 VDC High: 3 ... 18 VDC (count and direction) |
|------------------|---|

Type 0.184.012.832 (with phase discriminator)

| | |
|-----------------------|--|
| Count inputs A and B: | Max. count frequency 2.5 kHz min. pulse time 200 µs Counting with negative pulse (NPN) |
| Input sensitivity: | Low 0 ... 0.7 VDC High: 10 ... 18 VDC |

Type 0.184.012.831 (count and direction 5 ... 240 V AC/V DC)

| | |
|--------------------|---|
| Reset: | static reset input; no counting while this input is connected to 0 V min. pulse length 25 ms Contact closure input switching to 0 V |
| Reset enable: | electrical enabling of the reset button Contact closure input switching to 0 V (link to 0 V to enable reset button) |
| Count: | Max. count frequency 18 Hz min. pulse length 28 ms counting at high signal |
| Direction: | add. counting at open input subtr. counting at 0 V |
| Input sensitivity: | Low: < 1 VAC/VDC High: 5 ... 240 V AC/V DC |

Series

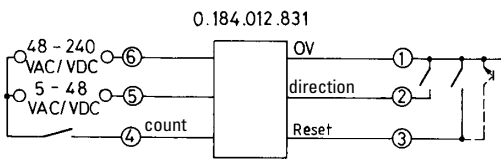
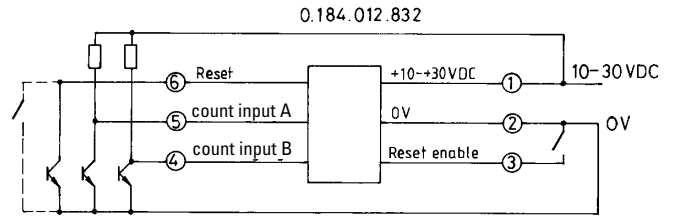
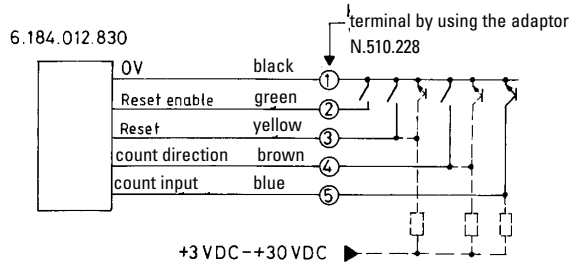
| Type | Input | Count inputs | | Connection |
|---------------|-------|-------------------|----------------|------------------------------------|
| | | voltage level | max. frequency | |
| 0.184.012.830 | E1 | 3 ... 18 VDC | 10 kHz | Plug with 24 cm long flying leads* |
| 0.184.012.831 | E1 | 5 ... 240 VAC/VDC | 18 Hz | Screw terminal |
| 0.184.012.832 | E3 | 10 ... 30 VDC | 2.5 kHz | Screw terminal |

*screw terminal N.510.228 as accessories

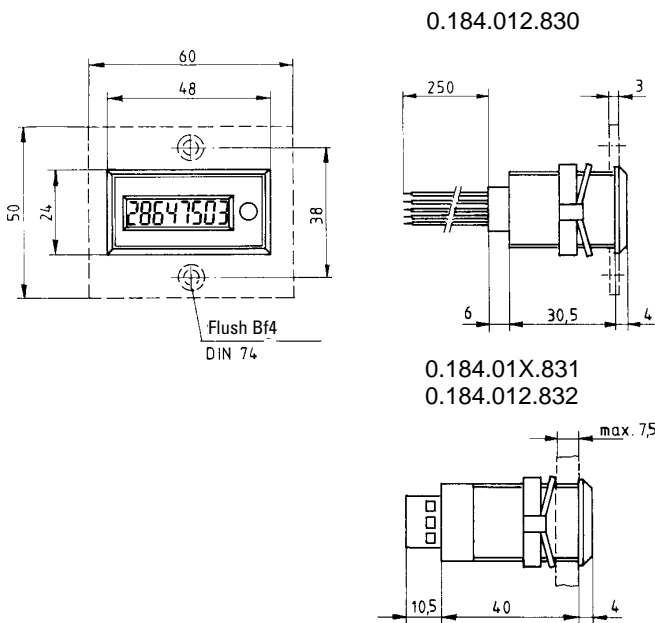
Types of count inputs:

E1: One pulse and count input and one input for count direction. If this input is not switched, the counter adds.

E3: Phase discriminator for encoder with two signals shifted by 90° for automatic direction measurement.

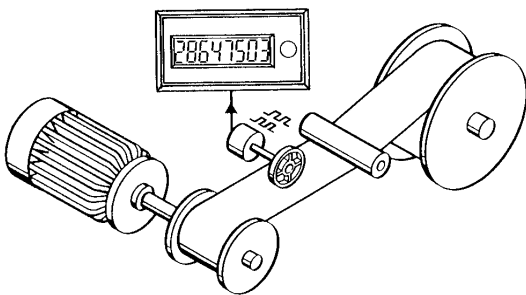


Dimensions:



Applications

Length measurement



Order information

- 0.184.012.830 (Flying leads, Pulse- and direction 3 ... 18 V DC)
 - 0.184.012.832 (Screw terminal, phase discriminator input voltage add. and subtr. 10 ... 18 V DC)
 - 0.184.01X.831 (Screw terminal, pulse- and direction 5 ... 240 VAC/VDC)
- Key lock:
 2 = locked
 3 = active

Scope of delivery

- Counter with clip mount
- Mounting bezel for screw mount

Accessories

- adaptor for screw terminal N.510.228 suitable for type 0.184.012.830