

Linear measuring technology

**Draw wire mechanics
for outdoor applications**

Draw wire encoder D120

**Measuring length up to 10 m
Linearity up to $\pm 0.1\%$**

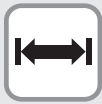


Their extremely robust construction, their high IP69k protection level and their wide temperature range make these new draw wire encoders particularly reliable and durable. Their flexibility and adaptability reflects in the wide range of housing and wire types, the long measuring range and the various interfaces. The possibility of redundancy must be particularly pointed out.

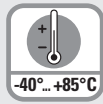


Analog
output

CANopen



Long service
life



Wide tempera-
ture range



High protection
level



Redundancy



V4A

Robust

- Protection level up to IP69k and wide temperature range from $-40^{\circ}\text{C} \dots +85^{\circ}\text{C}$ ¹⁾.
- The titanium-anodized aluminum housing and the stainless steel wires allow using the mechanics even in harsh conditions.
- Wire diameter (stainless steel, V4A) up to $\varnothing 1.5\text{ mm}$ - ideal for outdoor applications.

Versatile

- Measuring length up to 10 m.
- Redundant outputs (mA, V, R, CANopen).
- The right measuring wire and the right wire fastening for every application.
- Linearity up to $\pm 0.1\%$ of the measuring range.
- Various constructions: open, closed housing or housing with perforated sheet steel cover.

Order code

D8.D120 . XXXXX . XXXX . 0000

Type

a

b

c

d

e

f

a Measuring length

- 3 = 3 m
- 4 = 4 m
- 5 = 5 m
- 6 = 6 m
- 7 = 7 m
- 8 = 8 m
- 9 = 9 m
- A = 10 m

b Wire types ²⁾

- 1 = V4A, $\varnothing 0.5\text{ mm}$
- 2 = V4A, $\varnothing 1.0\text{ mm}$ (measuring length 3 ... 8 m)
- 3 = V4A, $\varnothing 1.5\text{ mm}$ (measuring length 3 ... 6 m)

c Linearity

- 1 = 0.5 %
- 2 = 0.25 %
- 3 = 0.1 %

d Housing

- 1 = open housing, open wire guide
- 3 = housing with perforated sheet metal cover, open wire guide
- 4 = housing with perforated sheet metal cover, closed wire guide
- 6 = closed housing, closed wire guide

e Sensor type

- A11 = 4 ... 20 mA / 12 ... 30 VDC
- A22 = 0 ... 10 V / 12 ... 30 VDC
- A33 = 1 k Ω / max. 30 VDC
- CC1 = CANopen
- R11 = 2 x 4 ... 20 mA / 12 ... 30 VDC
- R22 = 2 x 0 ... 10 V / 12 ... 30 VDC
- R33 = 2 x 1 k Ω / max. 30 V
- RC1 = 2 x CANopen

f Type of connection / protection level sensor

- 1 = radial cable, 2 m [6.56'] TPE / IP69k ³⁾
- 3 = radial M12 connector / IP67
- 4-pin for sensor type A11 ... A33
- 5-pin for sensor type CC1 ... RC1
- 8-pin for sensor type R11 ... R33


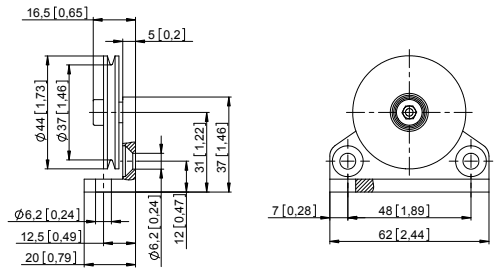
1) As optional order code extension see page 558.

2) Wire type availability depends on the selected measuring range, refer to the technical data.

3) Other cable length on request.

Linear measuring technology

Draw wire mechanics for outdoor applications	Draw wire encoder D120	Measuring length up to 10 m Linearity up to ±0.1 %
---	-------------------------------	---

Accessories for draw wire encoder	Dimensions in mm [inch]	Order no.
Guide pulley for wire type 1 (0.5 mm) 		Technical data: - mounting bracket (anodized alum.) - guide pulley (plastic POM) - ball bearing (type 696-2R5) Scope of delivery: - 2 x countersunk screws for lateral fixing - 2 x hexagonal screws for fixing on a flat surface
		8.0000.7000.0045

Connection technology for analog sensor	Order no.
Cordset, pre-assembled M12 female connector with coupling nut, 5-pin 2 m [6.56'] PVC cable M12 female connector with coupling nut, 8-pin 2 m [6.56'] PVC cable	 05.00.6081.2211.002M 05.00.6041.8211.002M
Connector, self-assembly (straight) M12 female connector with coupling nut, housing plastic, 4-pin M12 female connector with coupling nut, housing metal/plastic, 5-pin M12 female connector with coupling nut, housing metal, 8-pin	 05.B8141-0 05.B-8151-0/9 05.CMB 8181-0

Additional connectors can be found in the connection technology section or in the connection technology area of our website at: www.kuebler.com/connection_technology.

Technical data

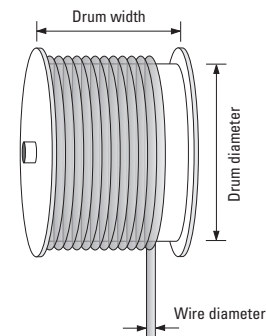
General technical data	
Linearity	±0.5 %
Improved linearity	±0.25 % or ±0.1 %
Resolution	see electrical characteristics
Sensor element	potentiometer
Output signal (others on request)	4 ... 20 mA, 0 ... 10 V, potentiometer, CANopen (in preparation)
Redundant output signal	optional for: 4 ... 20 mA, 0 ... 10 V, potentiometer, CANopen (in preparation)
Connection	radial M12 connector or radial cable outlet (TPE cable), standard length 2 m
Protection	IP67, optional IP69k (only with cable outlet)
Humidity	max. 90 % relative, no condensing
Wire pull-out speed	max. 3.0 m/s
Acceleration	max. 50 m/s ²
Weight	1300 ... 1600 g [45.87 ... 56.44 oz] depending on measuring length
Housing	aluminum, spring housing PA6
Spring force	min. 7 N / max. 13 N ¹⁾

Characteristics measuring wire (plastic coated)			
V4A, ø 0.5 mm	measuring range	3 ... 10 m	
	no.	1.4401	
	breaking force	262 N	
	TK	16 x 10 ⁻⁶ K ⁻¹	
V4A, ø 1.0 mm	measuring range	3 ... 8 m	
	no.	1.4401	
	breaking force	942 N	
	TK	16 x 10 ⁻⁶ K ⁻¹	
V4A, ø 1.5 mm	measuring range	3 ... 6 m	
	no.	1.4401	
	breaking force	1.890 N	
	TK	16 x 10 ⁻⁶ K ⁻¹	

Operating principle

Construction

The core of a draw wire device is a drum mounted on bearings, onto which a wire is wound. Winding takes place via a spring-loaded device. The single-layer wire winding ensuring the best linearity possible is a specific feature of Kübler draw wire encoders.



Note

Exceeding the maximum extension length of the draw wire will lead to damage to the wire and the mechanics.

1) Depends on the measuring length.

Linear measuring technology

**Draw wire mechanics
for outdoor applications**

Draw wire encoder D120

**Measuring length up to 10 m
Linearity up to ±0.1 %**

Electrical characteristics (analog sensor, scaled to measuring range)

Sensor type	A11 / R11	A22 / R22	A33 / R33
Output	4 ... 20 mA	0 ... 10 V	1 kΩ, potentiometer
Output current	max. 50 mA in case of a failure	max. 10 mA, min. load 10 kΩ	–
Max. current consumption	–	22.5 mA (non load)	–
Power supply	12 ... 30 V DC	12 ... 30 V DC	max. 30 V DC
Response time	< 1 ms from 0 ... 100 % and 100 ... 0 %	< 3 ms from 0 ... 100 % and 100 ... 0 %	–
Resolution	limited by the noise	limited by the noise	theoretically unlimited
Noise	0.03 mA _{pp} = 6 mV _{pp} at 200 Ω	typ. 3 mV _{pp} , max. 37 mV _{pp}	depending on the supply voltage
Recommended slider current	–	–	< 1 μA
Reverse polarity protection	yes	yes	–
Working temperature	standard: -20°C ... +85°C [-4°F ... +185°F] as optional order code extension (s. below): -40°C ... +85°C [-40°F ... +185°F]	-20°C ... +85°C [-4°F ... +185°F] -40°C ... +85°C [-40°F ... +185°F]	-20°C ... +85°C [-4°F ... +185°F] -40°C ... +85°C [-40°F ... +185°F]
Short circuit proof	–	yes, sustained short-circuit proof	–
Temperature coefficient	0.0079 %/K	0.0037 %/K	±0.0025 %/K
Connection diagrams			
Electromagnetic compatibility	acc. to EN 61326-1:2013	acc. to EN 61326-1:2013	acc. to EN 61326-1:2013
CE compliant acc. to	EMC guideline 2014/30/EU RoHS guideline 2011/65/EU	EMC guideline 2014/30/EU RoHS guideline 2011/65/EU	EMC guideline 2014/30/EU RoHS guideline 2011/65/EU

Interface characteristics CANopen – Sensor type CC1, RC1

CAN specification	Full CAN 2.0B (ISO11898)
Communication profile	CANopen CiA 301 V 4.2.0
Device profile	encoder, absolute linear; CiA 406 V 3.2.0
Error monitoring	Producer Heartbeat, Emergency Message, Node Guarding
Node ID	default: 7, adjustable via SDO
PDO	1 x TPDO, static mapping
PDO functions	event-triggered, time-triggered, Sync-cyclic, Sync-acyclic
Transmission rate	Default 250 kbit/s, 1 Mbps, 800, 500, 250, 125, 50, 20 kbps adjustable via SDO
Bus connection	M12 connector, 5-pin
Integrated bus terminating resistor	120 ohms ready-to-activate via SDO
Bus, galvanic isolation	no
Power supply	8 ... 30 V DC
Working temperature	standard: -20°C ... +85°C [-4°F ... +185°F] as optional order code extension (s. below): -40°C ... +85°C [-40°F ... +185°F]
Current consumption	typ. 10 mA at 24 V, typ. 20 mA at 12 V
Measuring rate	1 kHz with 16 bit resolution
Repeat accuracy	±0.5 %, ±0.25 % or ±0.1 % (according to the selected linearity)
Resolution	0.002 % of the measuring range
Reverse polarity protection	yes
Electromagnetic compatibility	acc. to EN 61326-1:2013
CE compliant acc. to	EMC guideline 2014/30/EU RoHS guideline 2011/65/EU

Options

Protection class IP69k	All relevant sensor components are entirely encapsulated. Suitable for steam and high-pressure cleaning (only in connection with cable outlet).
Extended temperature range	The use of special components allows an operating temperature of -40°C ... +85°C [-40°F ... +185°F]
Redundant output signal	The use of two potentiometers allows the sensor to provide two independent output signals: <ul style="list-style-type: none"> • 2 x 4 ... 20 mA • 2 x 0 ... 10 V • 2 x 1 kΩ • 2 x CANopen
Wire fastening (with swivel, on ball bearing)	standard: <ul style="list-style-type: none"> • straight pin, M6 through hole and snap ring optional: <ul style="list-style-type: none"> • eyelet, internal diameter 20 mm • M4 thread, length 22 mm • clip (on request)

Order code – extensions for the following options

Wire fastening M4 thread ¹⁾	D8.D120.xxxx.xxxx.xxxx.V001
Wire fastening eyelet	D8.D120.xxxx.xxxx.xxxx.V002
Extended temperature range -40 ... +85°C [-40°F ... +185°F]	D8.D120.xxxx.xxxx.xxxx.V003
Wire fastening M4 thread ¹⁾ and -40 ... +85°C [-40°F ... +185°F]	D8.D120.xxxx.xxxx.xxxx.V004
Wire fastening eyelet and -40 ... +85°C [-40°F ... +185°F]	D8.D120.xxxx.xxxx.xxxx.V005

1) Not available with wire type V4A, ø 1.5 mm – order option **b** = 3.

Linear measuring technology

**Draw wire mechanics
for outdoor applications**

Draw wire encoder D120

**Measuring length up to 10 m
Linearity up to $\pm 0.1\%$**

Terminal assignment

Type of connection	Sensor type	M12 connector, 4-pin					
3	A11 (4 ... 20 mA)	Signal:	+V	n.c.	Signal	n.c.	\perp
	A22 (0 ... 10 V)	Signal:	+V	Signal	0 V	0 V Signal	\perp
	A33 (1 k Ω)	Signal:	+V	Slider	0 V	n.c.	\perp
		Pin:	1	2	3	4	PH

Type of connection	Sensor type	M12 connector, 5-pin					
3	CC1, RC1	Signal:	+V	0 V	CAN_GND	CAN-H	CAN-L
		Pin:	2	3	1	4	5

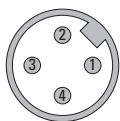
Type of connection	Sensor type	M12 connector, 8-pin									
3	R11 (4 ... 20 mA)	Signal:	+V ₁	n.c.	Signal 1	n.c.	+V ₂	n.c.	Signal 2	n.c.	\perp
	R22 (0 ... 10 V)	Signal:	+V ₁	Signal 1	0 V ₁	0 V Signal 1	+V ₂	Signal 2	0 V ₂	0 V Signal 2	\perp
	R33 (1 k Ω)	Signal:	+V ₁	Slider 1	0 V ₁	n.c.	+V ₂	Slider 2	0 V ₂	n.c.	\perp
		Pin:	1	2	3	4	5	6	7	8	PH

Type of connection	Sensor type	Cable (isolate unused cores individually before initial start-up)					
1	A11 (4 ... 20 mA)	Signal:	+V	n.c.	Signal	n.c.	\perp
	A22 (0 ... 10 V)	Signal:	+V	Signal	0 V	0 V Signal	\perp
	A33 (1 k Ω)	Signal:	+V	Slider	0 V	n.c.	\perp
		Core color:	BN	WH	BU	BK	shield

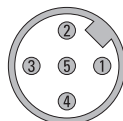
Type of connection	Sensor type	Cable (isolate unused cores individually before initial start-up)					
1	CC1, RC1	Signal:	+V	0 V	CAN_GND	CAN-H	CAN-L
		Core color:	WH	BU	BN	BK	GY

Type of connection	Sensor type	Cable (isolate unused cores individually before initial start-up)									
1	R11 (4 ... 20 mA)	Signal:	+V ₁	n.c.	Signal 1	n.c.	+V ₂	n.c.	Signal 2	n.c.	\perp
	R22 (0 ... 10 V)	Signal:	+V ₁	Signal 1	0 V ₁	0 V Signal 1	+V ₂	Signal 2	0 V ₂	0 V Signal 2	\perp
	R33 (1 k Ω)	Signal:	+V ₁	Slider 1	0 V ₁	n.c.	+V ₂	Slider 2	0 V ₂	n.c.	\perp
		Core color:	WH	BN	GN	YE	GY	PK	BU	RD	shield

Top view of mating side, male contact base



M12 connector, 4-pin



M12 connector, 5-pin



M12 connector, 8-pin

Linear measuring technology

**Draw wire mechanics
for outdoor applications**

Draw wire encoder D120

**Measuring length up to 10 m
Linearity up to $\pm 0.1\%$**

Technology in detail

Various wire types and wire fastenings

Wire types:

- V4A plastic coated, \varnothing 0.5 mm, order option **b** = 1 (standard)
- V4A plastic coated, \varnothing 1.0 mm, order option **b** = 2
- V4A plastic coated, \varnothing 1.5 mm, order option **b** = 3

Wire fastenings:

straight pin with snap ring (standard)	eyelet (order code extension V002)	M4 thread (order code extension V001)	clip (on request)
--	--	---	----------------------

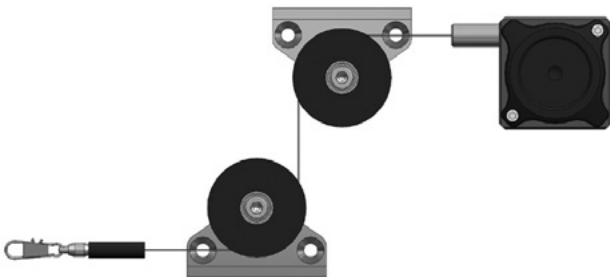


Extension wire

available on request with all wire fastening types
(straight pin with snap ring, eyelet, M4 thread, clip)



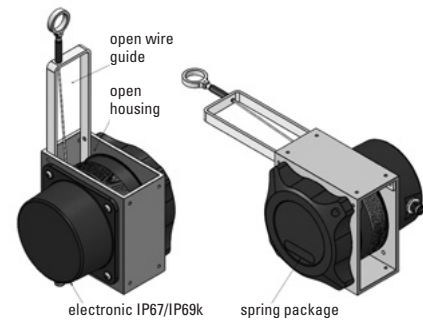
Application-specific installation possibilities



Housing types (the suitable housing type for every application)

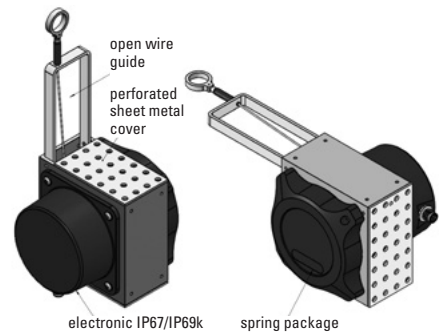
Open housing, open wire guide

For use in the presence of
fine dust and liquids.



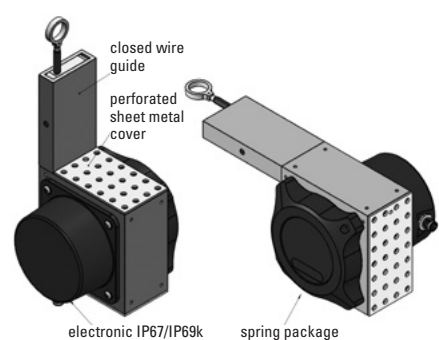
Housing with perforated sheet metal cover, open wire guide

For use in the presence of
dirt, particles size > 2mm
and liquids



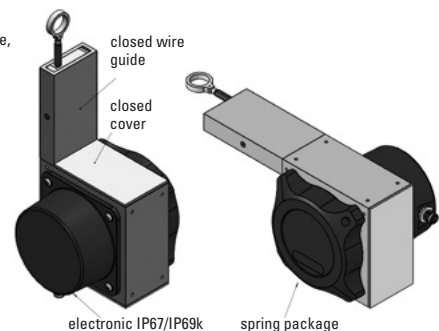
Housing with perforated sheet metal cover, closed wire guide

For use in the presence of
dirt, particles size > 2mm
and liquids.
Shock protection,
wire cleaning device
(in preparation).



Closed housing , closed wire guide

For use in the presence of
sticky dust, cement, concrete,
clay.
Shock protection,
wire cleaning device
(in preparation).



Linear measuring technology

**Draw wire mechanics
for outdoor applications**

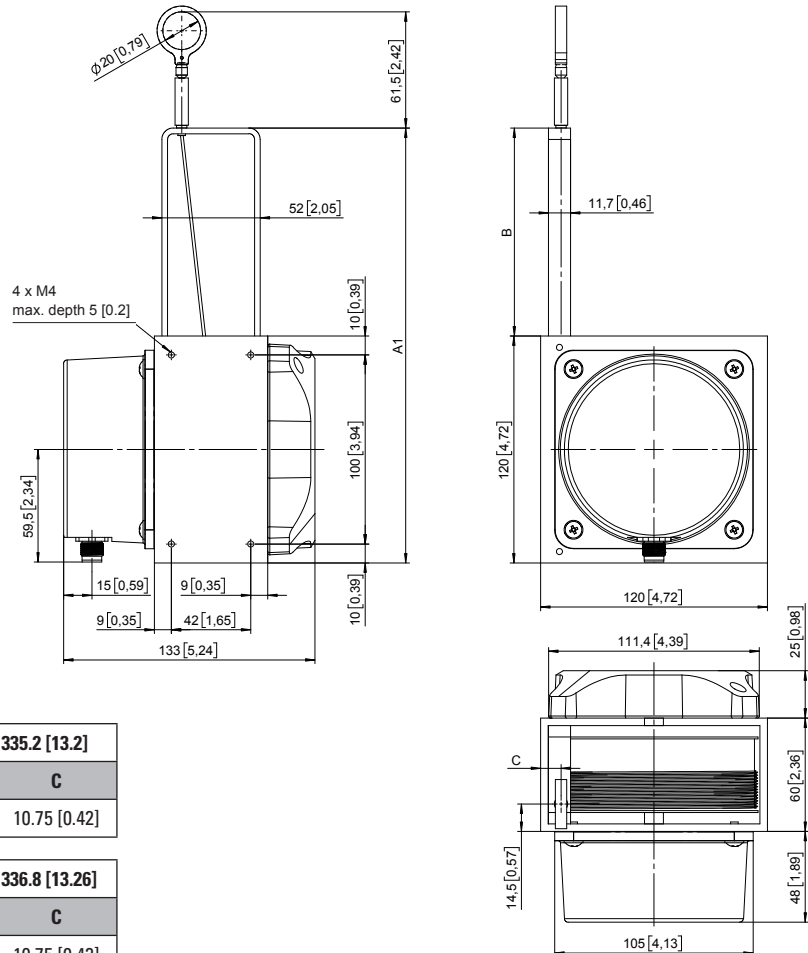
Draw wire encoder D120

**Measuring length up to 10 m
Linearity up to $\pm 0.1\%$**

Dimensions

Dimensions in mm [inch]

**Open housing,
open wire guide**



Wire diameter \varnothing 0.5 mm – drum pitch circumference: 335.2 [13.2]

Measuring length	A1	B	C
3 ... 10 m	230 [9.06]	110 [4.33]	10.75 [0.42]

Wire diameter \varnothing 1.0 mm – drum pitch circumference: 336.8 [13.26]

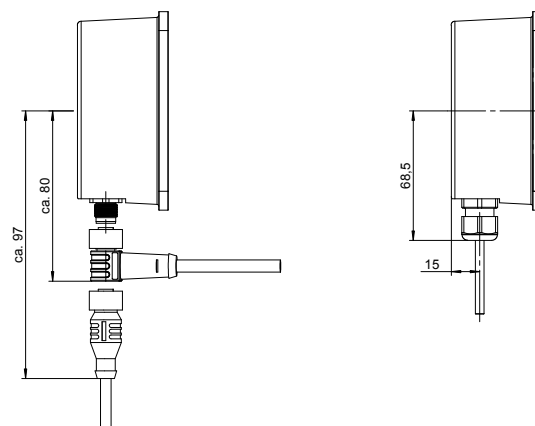
Measuring length	A1	B	C
3 ... 5 m	230 [9.06]	110 [4.33]	10.75 [0.42]
6 ... 8 m	320 [12.6]	200 [7.87]	12.25 [0.48]

Wire diameter \varnothing 1.5 mm – drum pitch circumference: 338.3 [13.32]

Measuring length	A1	B	C
3 ... 4 m	230 [9.06]	110 [4.33]	10.75 [0.42]
5 ... 6 m	320 [12.6]	200 [7.87]	12.25 [0.48]

Connector output / Cable outlet

The cable must be protected in case of steam and high-pressure cleaning.



Linear measuring technology

**Draw wire mechanics
for outdoor applications**

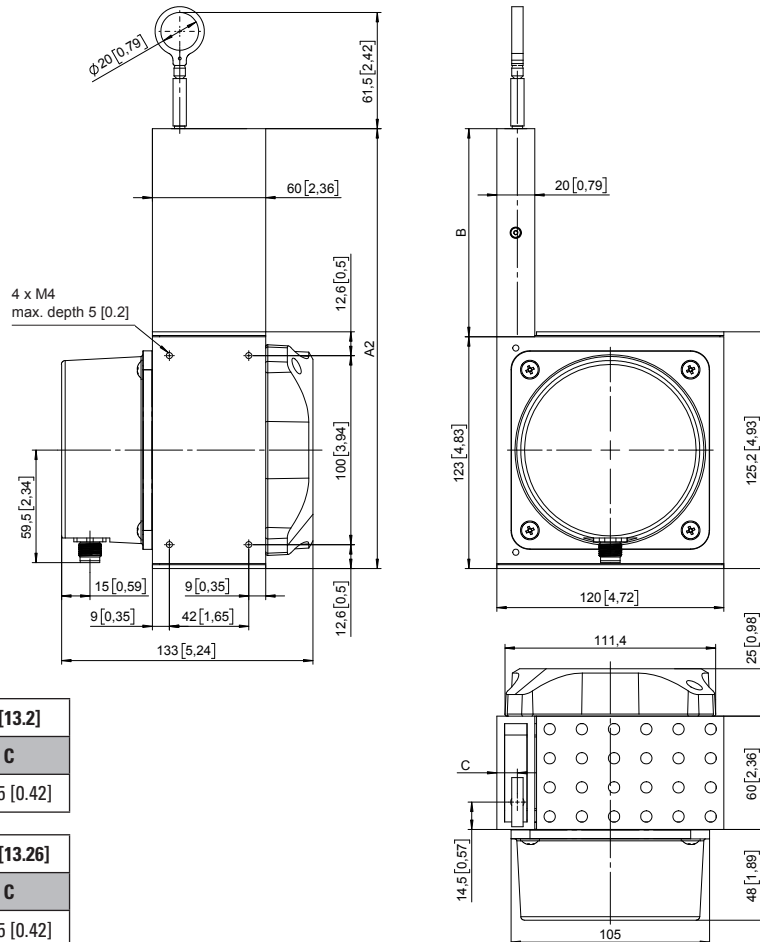
Draw wire encoder D120

**Measuring length up to 10 m
Linearity up to $\pm 0.1\%$**

Dimensions

Dimensions in mm [inch]

**Housing with perforated sheet metal cover,
closed wire guide**



Wire diameter \varnothing 0.5 mm – drum pitch circumference: 335.2 [13.2]			
Measuring length	A2	B	C
3 ... 10 m	233 [9.17]	110 [4.33]	10.75 [0.42]

Wire diameter \varnothing 1.0 mm – drum pitch circumference: 336.8 [13.26]			
Measuring length	A2	B	C
3 ... 5 m	233 [9.17]	110 [4.33]	10.75 [0.42]
6 ... 8 m	323 [12.7]	200 [7.87]	12.25 [0.48]

Wire diameter \varnothing 1.5 mm – drum pitch circumference: 338.3 [13.32]			
Measuring length	A2	B	C
3 ... 4 m	233 [9.17]	110 [4.33]	10.75 [0.42]
5 ... 6 m	323 [12.7]	200 [7.87]	12.25 [0.48]