

Absolute encoders – multiturn

Standard, ATEX/IECEX – zone 1/21 mechanical multiturn, optical	Sendix 7068 / 7088 (shaft / hollow shaft)	CANopen
---	--	----------------



The Sendix 7068 / 7088 absolute multiturn encoders offer Ex protection in a compact 70 mm seawater durable aluminum housing, with a CANopen interface and optical sensor technology. These shock and vibration-resistant encoders operate flexibly with a resolution of up to 28 bits; they are also available with axial and radial cable outlets.



Ex approval	Mechanical drive	Safety-Lock™	High rotational speed	High protection level	High shaft load capacity	Shock / vibration resistant	Magnetic field proof	Reverse polarity protection	Optical sensor	Seawater durable

Compact and safe

- Can be used even when space is tight.
- Minimal installation depth, diameter 70 mm.
- Compact cable outlet axial or radial.
- Can be operated in marine environments – housing and flange manufactured from seawater durable aluminum.
- Remains sealed even in harsh everyday use and ensures highest safety against field breakdowns (IP67 protection).

Explosion protection

- “Flameproof-enclosure” version.
- ATEX with EC type examination certificate.
- IECEx with certificate of conformity (CoC).

Order code	8.7068	. 1 X 2 X . 21 21 . XXXX
Shaft version	Type	a b c d e f 1)
a Flange	1 = clamping / synchronous flange, IP67, ø 70 mm [2.76"]	d Type of connection
b Shaft (ø x L)	2 = 10 x 20 mm [0.39 x 0.79"], with flat 1 = 12 x 25 mm [0.47 x 0.98"], with keyway for 4 x 4 mm [0.16 x 0.16"] key	1 = axial cable, 2 m [6.56'] PUR 2 = radial cable, 2 m [6.56'] PUR A = axial cable, length > 2 m [6.56'] B = radial cable, length > 2 m [6.56']
c Interface / power supply	2 = CANopen DS301 V4.02 / 10 ... 30 V DC	e Fieldbus profile
		21 = CANopen
		f Cable length in dm 1)
		0050 = 5 m [16.40'] 0100 = 10 m [32.81'] 0150 = 15 m [49.21']
		<i>Optional on request</i>
		- special cable length - IP65 version for T6 - seawater resistant (stainless steel V4A)
		<i>Stainless steel V4A as standard types (deliverable as from 1 unit)</i>
		8.7068.2221.2121.V4A 8.7068.222A.2121.XXXX-V4A



1) Not applicable with connection types 1 and 2.

Absolute encoders – multitrans

**Standard, ATEX/IECEX – zone 1/21
mechanical multitrans, optical**

Sendix 7068 / 7088 (shaft / hollow shaft)

CANopen

**Order code
Hollow shaft**

8.7088 . **XX2X** . **2121** . **XXXX**
Type **a b c d e f** ¹⁾

a Flange
1 = with spring element, short
5 = with stator coupling, IP67, \varnothing 65 mm [2.56"]

b Blind hollow shaft
(insertion depth max. 41.5 mm [1.63"])
1 = \varnothing 12 mm [0.47"]
2 = \varnothing 14 mm [0.55"]

c Interface / power supply
2 = CANopen DS301 V4.02 / 10 ... 30 V DC

d Type of connection
1 = axial cable, 2 m [6.56'] PUR
2 = radial cable, 2 m [6.56'] PUR
A = axial cable, length > 2 m [6.56']
B = radial cable, length > 2 m [6.56']

e Fieldbus profile
21 = CANopen

f Cable length in dm ¹⁾
0050 = 5 m [16.40']
0100 = 10 m [32.81']
0150 = 15 m [49.21']

Optional on request

- special cable length
- IP65 version for T6
- seawater resistant (stainless steel V4A)

*Stainless steel V4A as standard types
(deliverable as from 1 unit)*

8.7088.2221.2121.V4A
8.7088.222A.2121.XXXX-V4A



Mounting accessory for shaft encoders

Order no.

Coupling

bellows coupling \varnothing 19 mm [0.75"] for shaft 10 mm [0.39"]

8.0000.1102.1010

Further accessories can be found in the accessories section or in the accessories area of our website at: www.kuebler.com/accessories.

Additional connectors can be found in the connection technology section or in the connection technology area of our website at: www.kuebler.com/connection_technology.

Technical data

Explosion protection Sendix 7068

ATEX

EC type-examination certificate	PTB09 ATEX 1106 X
Category (gas)	II 2 G Ex d IIC T4 - T6 Gb
Category (dust)	II 2 D Ex tb IIIC T135°C - T85°C Db
Relevant standards ATEX guideline 94/9/EC	EN 60079-0:2012; EN 60079-1:2014; EN 60079-31:2009

IECEX

Certificate of Conformity (CoC)	IECEX PTB 13.0026 X
Category (gas)	Ex d IIC T4 - T6 Gb
Category (dust)	Ex tb IIIC T135°C - T85°C Db
Relevant standards	IEC 60079-0:2011; IEC 60079-1:2014; IEC 60079-31:2008

Explosion protection Sendix 7088

ATEX

EU type-examination certificate	IBExU 15 ATEX 1091 X
Category (gas)	II 2 G Ex db IIC T4/120°C (T4)/T6 Gb
Category (dust)	II 2 D Ex tb IIIC T135°C - T85°C Db
Relevant standards ATEX guideline 2014/34/EU	EN 60079-0:2012 + A11:2013; EN 60079-1:2014; EN 60079-31:2014

IECEX

Certificate of Conformity (CoC)	IECEX IBE 15.0020 X
Category (gas)	Ex db IIC T4/120°C (T4)/T6 Gb
Category (dust)	Ex tb IIIC T135°C - T85°C Db
Relevant standards	IEC 60079-0:2011; IEC 60079-1:2014; IEC 60079-31:2013

Mechanical characteristics

Maximum speed	shaft	6000 min ⁻¹ (continuous)
	hollow shaft	3000 min ⁻¹ (continuous)
Starting torque – at 20°C [68°F]		< 0.05 Nm
Mass moment of inertia		4.0 x 10 ⁻⁶ kgm ²
Load capacity of shaft	radial	80 N
	axial	40 N
Weight		approx. 1.5 kg [52.91 oz]
Protection acc. to EN 60529		IP67
Ambient temperature		-40°C ... +60°C [-40 ... +140°F] please note the specifications for temperature class in EC type-examination certificate!
Material	shaft	stainless steel
	flange / housing	seawater durable Al, type AlSiMgMn (EN AW-6082)
	cable	PUR
Shock resistance to EN/IEC 60068-2-27		2500 m/s ² , 6 ms
Vibration resistance to EN/IEC 60068-2-6		100 m/s ² , 55 ... 2000 Hz

Electrical characteristics

Power supply	10 ... 30 V DC
Current consumption (no load)	max. 100 mA
Reverse polarity protection for power supply	yes
CE compliant acc. to	EMC guideline 2014/30/EU RoHS guideline 2011/65/EU

EMC

Relevant standards	EN 55011 class B:2009 / A1:2010 EN 61000-6-2:2005 / AC:2005 EN 61000-6-3:2007 / A1:2011 EN 61326-1:2013
--------------------	--

Absolute encoders – multiturn

Standard, ATEX/IECEEx – zone 1/21 mechanical multiturn, optical	Sendix 7068 / 7088 (shaft / hollow shaft)	CANopen
--	--	----------------

Interface characteristics CANopen	
Resolution singleturn	1 ... 65535 (16 bit), scalable default: 8192 (13 bit)
Number of revolutions (multiturn)	max. 4096 (12 bit) scalable only via the total resolution
Total resolution	1 ... 268.435.456 (28 bit), scalable default: 33.554.432 (25 bit)
Code	binary
Interface	CAN high-speed acc. to ISO 11898, Basic- and Full-CAN, CAN specification 2.0 B
Protocol	CANopen profile DS406 V3.2 with manufacturer-specific add-ons
Baud rate	10 ... 1000 kbit/s software configurable
Node address	1 ... 127 software configurable
Switchable termination	software configurable

General information about CANopen

The CANopen encoders support the latest CANopen communication profile according to DS301 V4.02. In addition, device-specific profiles like the encoder profile DS406 V3.2 are available.

The following operating modes may be selected: Polled Mode, Cyclic Mode, Sync Mode and a High Resolution Sync Protocol. Moreover, scale factors, preset values, limit switch values and many other additional parameters can be programmed via the CANbus. When switching the device on, all parameters are loaded from an EEPROM, where they were saved previously to protect them against power-failure.

As output values **position**, **speed**, **acceleration** as well as the **working area status** may be combined freely as PDO (PDO mapping)

CANopen communication profile DS301 V4.02

Among others, the following functionality is integrated:

Class C2 functionality

- NMT slave.
- Heartbeat protocol.
- High resolution sync protocol.
- Identity object.
- Error behavior object.
- Variable PDO mapping self-start programmable (power on to operational), 3 Sending PDO's.
- Node address, baud rate and CANbus programmable termination.

CANopen encoder profile DS406 V3.2

The following parameters can be programmed:

- Event mode.
- Units for speed selectable (steps/sec or min⁻¹).
- Factor for speed calculation (e.g. measuring wheel circumference)
Integration time for speed value of 1...32.
- 2 work areas with 2 upper and lower limits and the corresponding output states.
- Variable PDO mapping of position, speed, acceleration, working area status.
- Extended failure management for position sensing with integrated temperature control.
- User interface with visual display of bus and failure status - 3 LED's.
- Optional - 32 CAMs programmable.
- Customer-specific memory - 16 Bytes.

Universal scaling function

At the end of the physical resolution of an encoder, **when scaling is active**, an error appears if the division of the physical limit (GP_U) by the programmed total resolution (TMR) does not produce an integer.

The universal scaling function remedies this problem.

Terminal assignment

Interface	Type of connection	Cable (isolate unused cores individually before initial start-up)								
		Signal:	0 V	+V	CAN_H	CAN_L	CAN_GND	CAN_H	CAN_L	CAN_GND
2	1, 2, A, B	Core marking:	1	2	4	5	6	7	8	9

Absolute encoders – multiturn

**Standard, ATEX/IECEX – zone 1/21
mechanical multiturn, optical**

Sendix 7068 / 7088 (shaft / hollow shaft)

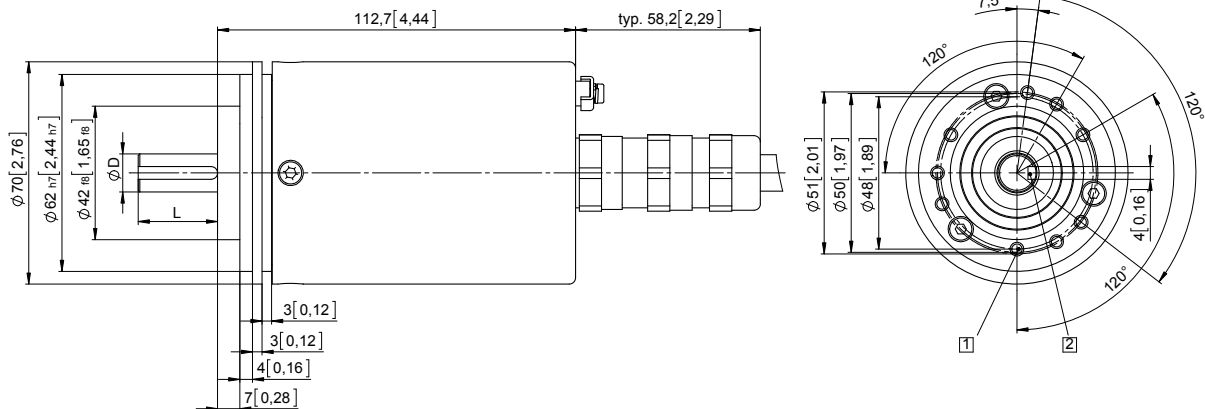
CANopen

Dimensions shaft version

Dimensions in mm [inch]

**Clamping / synchronous flange, \varnothing 70 [2.76]
Shaft type 1 with axial cable outlet**

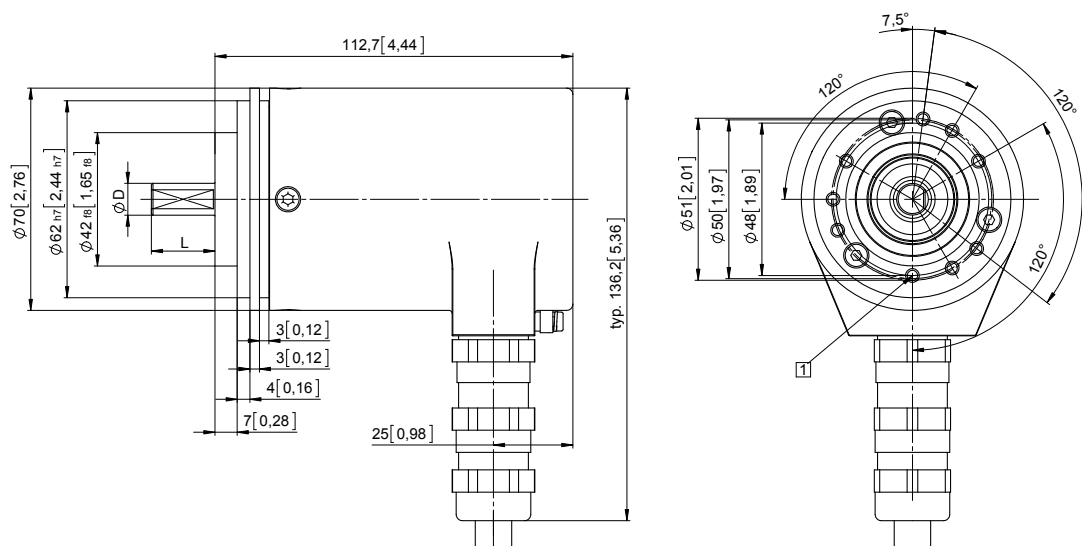
- 1 9 x M4, 10 [0.39] deep
- 2 Keyway for DIN 6885-A-4x4x25 key



D	Fit	L
12 [0.47]	g6	25 [0.98]

**Clamping / synchronous flange, \varnothing 70 [2.76]
Shaft type 2 with radial cable outlet**

- 1 9 x M4, 10 [0.39] deep



D	Fit	L
10 [0.39]	f7	20 [0.79]

Absolute encoders – multiturn

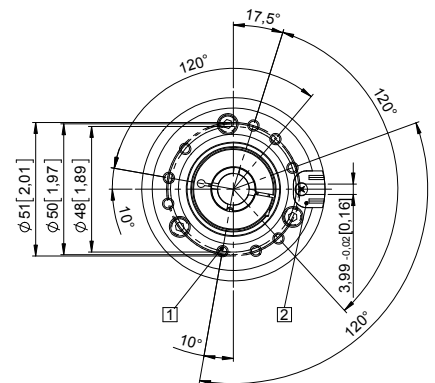
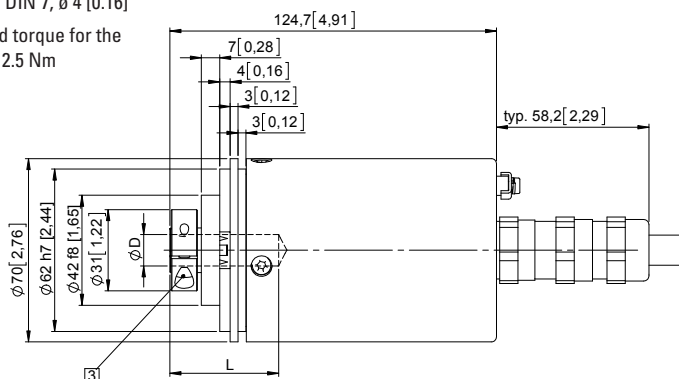
Standard, ATEX/IECEX – zone 1/21 mechanical multiturn, optical	Sendix 7068 / 7088 (shaft / hollow shaft)	CANopen
---	--	----------------

Dimensions hollow shaft version

Dimensions in mm [inch]

Flange with spring element, short Flange type 1

- ❶ 9 x M4, 10 [0.39] deep
- ❷ Slot spring element, recommendation: cylindrical pin DIN 7, \varnothing 4 [0.16]
- ❸ Recommended torque for the clamping ring 2.5 Nm



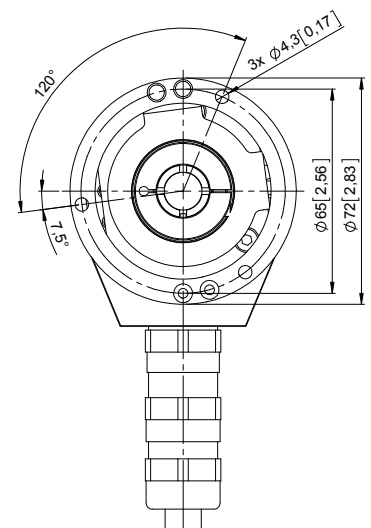
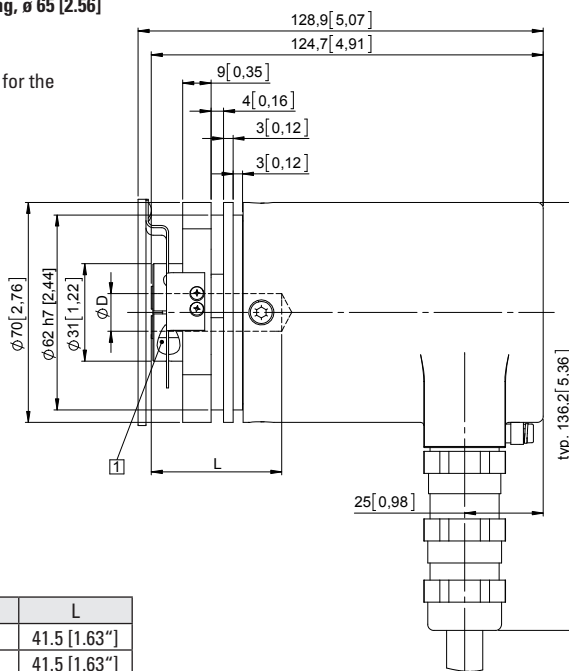
D	Fit	L
12 [0.47]	H7	41.5 [1.63"]
14 [0.55]	H7	41.5 [1.63"]

L = insertion depth max. blind hollow shaft

Flange with stator coupling, \varnothing 65 [2.56]

Flange type 5

- ❶ Recommended torque for the clamping ring 2.5 Nm



D	Fit	L
12 [0.47]	H7	41.5 [1.63"]
14 [0.55]	H7	41.5 [1.63"]

L = insertion depth max. blind hollow shaft