

Transparent cover

Details

Dimensions / Details

Dimensions in mm [inch]

Order no.

Transparent cover type 1 Dv

(mounted on bezel)
lockable, IP65
for counters with cut-out 50 x 25 mm [1.97 x 0.98"]
or 45 x 22.2 mm [1.77 x 0.94"]

description:

- for cut-out 54 x 29 mm [2.13 x 1.14"]
- screw mounting on front bezel F1B or adapter front bezel 6.0000.A140.1702
- IP65 protection with front bezel

suitable for:

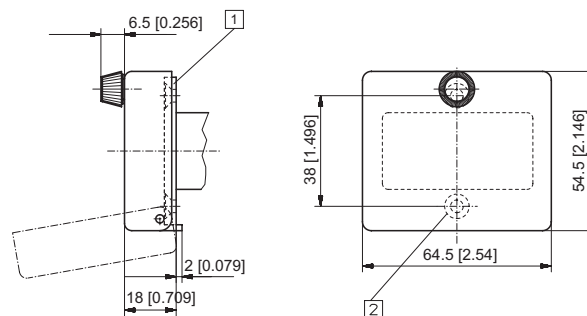
B 1x.3x, HB 2x.3x

transparent /
black

with front bezel F1B:
B 1x.0x, HB 2x.0x

via adapter front bezel
6.0000.A140.1702:
Codix 13x, 14x, 52x, 53x, W15.5,
W16.5, W 17.5, H 37, H 37.5

6.0000.C300.0002



1 Front bezel

2 Countersinking Bf4, DIN 74