

## Transparent cover

## Details

### Dimensions / Details

Dimensions in mm [inch]

Order no.

#### Transparent cover type 2 Dv

(mounted on bezel)  
lockable, IP65  
for counter with cut-out 45 x 45 mm [1.77 x 1.77"]  
and front bezel 48 x 48 mm [1.89 x 1.89"]

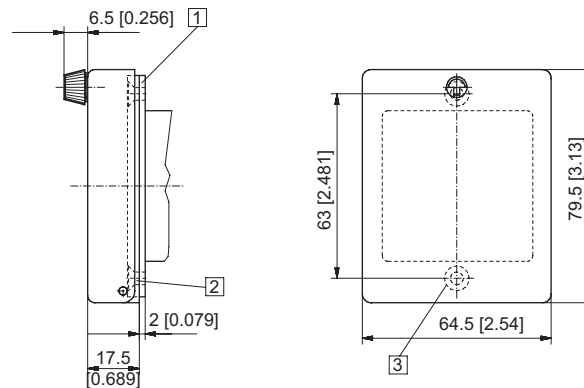
#### description:

- for cut-out 50 x 50 mm [1.97 x 1.97"]
- screw mounting
- IP65 protection
- with gaskets and screws

#### suitable for:

901, Codix 907 / 908, Codix 923 / 924, transparent /  
H 57, HC 77, HW 66, HW 66 M black

6.0000.C100.0002



- 1 Gasket
- 2 Front bezel
- 3 Countersinking Bf4, DIN 74

#### Transparent cover type 2 Dvs

(mounted on bezel)  
key lockable, IP65  
for counter with cut-out 45 x 45 mm [1.77 x 1.77"]  
and front bezel 48 x 48 mm [1.89 x 1.89"]

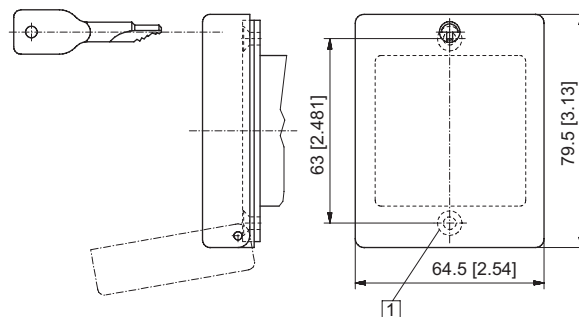
#### description:

- for cut-out 50 x 50 mm [1.97 x 1.97"]
- screw mounting
- IP65 protection
- with gaskets and screws

#### suitable for:

901, Codix 907 / 908, Codix 923 / 924, transparent /  
H 57, HC 77, HW 66, HW 66 M black

6.0000.C200.0002



- 1 Countersinking Bf4, DIN 74