




Fixing components for shaft encoders				Overview						
Figure	Description	Order no.	Details s.page	Incremental encoders		Abs. singleturn encoders		Abs. multiturn encoders		
				5000, KIS50, 5814, 5006, 5803, 5804, 5805	7000, 7100	5853, 5858, 5852	7053, 7058, 7153, 7158	5863, 5868, F5863, F5868	M5861, M5863, M5868	7063, 7068, 7163, 7168
	Flange, square Suitable for shaft encoders with clamping flange □ 58.0 [2.28"], 4 [0.16"] thick □ 63.5 [2.5"], 3 [0.12"] thick □ 70.0 [2.76"], 10 [0.39"] thick □ 80.0 [3.15"], 4 [0.16"] thick	8.0010.2100.0000 8.0010.2120.0000 8.0010.2600.0000 8.0010.2800.0000	675 675 675 675	X	X	X	X	X	X	
	Flange ø 65 mm [2.56"] With this adapter flange, Kübler encoders with size 58 mm [2.28"] can replace encoders with diameter 65 mm [2.56"] and pitch circle diameter 48 mm [1.89"]	8.0010.2230.0000	676	X	X		X	X		
	Flange, ø 115 mm [4.53"] Euroflange	8.0010.2160.0000 8.0010.2170.0000	676	X	X	X	X	X	X	
	Flange, ø 58 mm [2.28"] Converts encoders with a clamping flange into synchro flange.	8.0010.2180.0000	676	X	X		X	X		
	Flange, ø 90 mm [3.54"] Mechanically compatible with former encoder Type 9000	8.0010.2270.0000	677	X	X		X	X		
	Angular flange 80 mm x 80 mm x 40 mm [3.15" x 3.15" x 1.57"]	8.0010.2300.0000	677	X	X			X		
	Assembly bell Electrical and thermal isolation by means of glass fiber reinforced plastic and isolating spring washer coupling – supplied as complete set	8.0000.4500.XXYY	678	X	X		X	X		
	Fastening eccentrics For shaft encoders with synchronous flange. Use at least three fastening eccentrics to mount the encoder.	8.0010.4200.0000 8.0010.4100.0000	679	see table page 679						
	Robust bearing unit Matching shaft encoders with clamping flange and shaft 10 mm [0.39"]	8.0010.8200.000C	680	X	X		X	X		
	Bearing box	8.0010.8200.0004	681	X	X		X	X		

Fixing components for shaft encoders

Dimensions / Details	Dimensions in mm [inch]	Order no.
----------------------	-------------------------	-----------

Flange, square

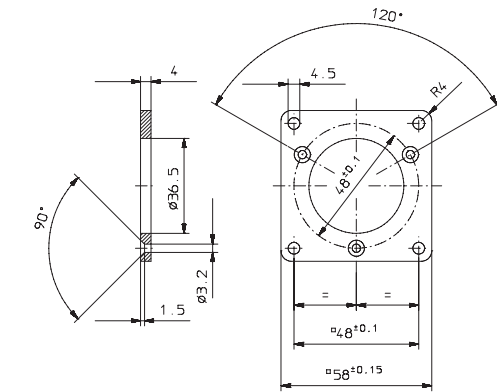


Scope of delivery:

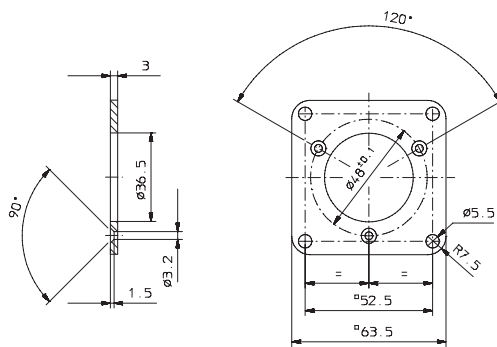
- flange (aluminum)
- 3 screws for fixing to the encoder

Connection to application:

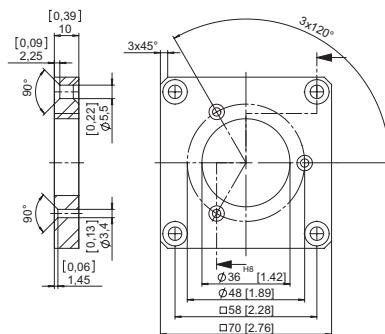
- 4 screws (not supplied)



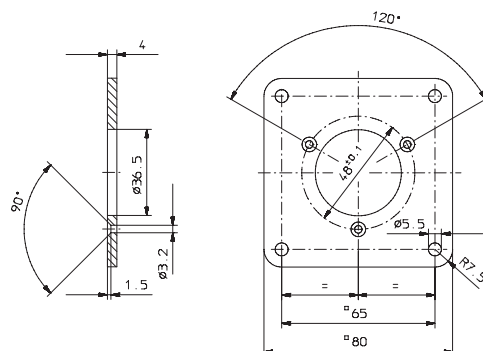
8.0010.2100.0000



8.0010.2120.0000



8.0010.2600.0000



8.0010.2800.0000

Accessories

Fixing components for shaft encoders

Details

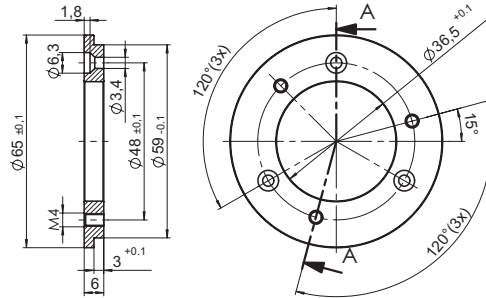
Dimensions / Details

Dimensions in mm [inch]

Order no.

Flange, \varnothing 65 [2.56]

With this adapter flange, Kübler encoders with size 58 [2.28] can replace encoders with diameter 65 [2.56] and pitch circle diameter 48 [1.89].



Scope of delivery:

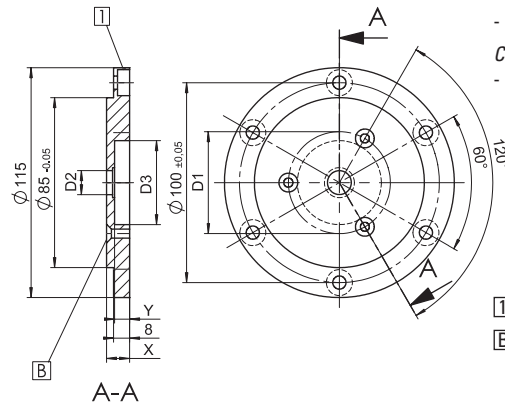
- flange (aluminum)
- 3 screws for fixing to the encoder

Connection to application:

- 3 screws (not supplied)

8.0010.2230.0000

Flange, \varnothing 115 [4.53], Euroflange (Euro REO 444)



encoder type	D1	D2	D3	X	Y	B
580X/5000	48 [1.89]	36 [1.42]	58 [2.28]	11 [0.43]	1 [0.039]	DIN 74-BM3
70XX	51 [2.01]	12 [0.47]	42 [1.65]	11.5 [0.45]	7.5 [0.30]	DIN 74-BM4

Scope of delivery:

- flange (aluminum)
- 3 screws for encoder mounting

Connection to application:

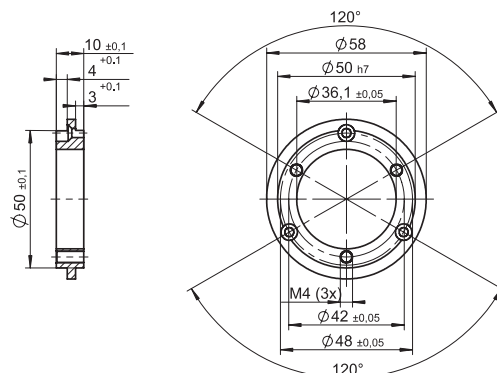
- 6 screws (not supplied)

8.0010.2160.0000

8.0010.2170.0000

Flange, \varnothing 58 [2.28]

Converts encoders with a clamping flange into synchro flange.



Scope of delivery:

- flange (aluminum)
- 3 screws for encoder mounting

Connection to application:

- 3 screws (not supplied)

8.0010.2180.0000

Accessories

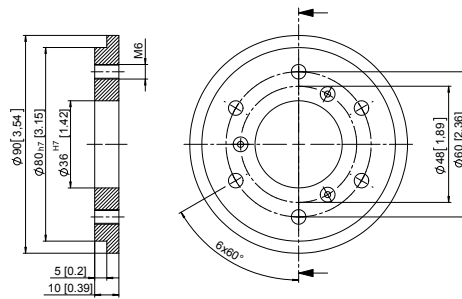
Fixing components for shaft encoders

Details

Dimensions / Details	Dimensions in mm [inch]	Order no.
----------------------	-------------------------	-----------

Flange, $\varnothing 90$ [3.54]

Mechanically compatible with former encoder type 9000



Scope of delivery:

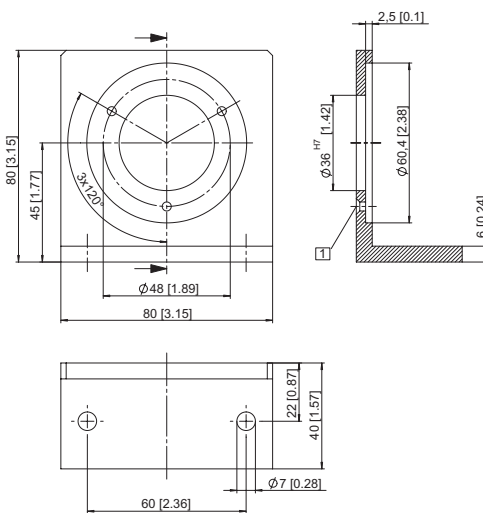
- flange
- 3 screws for encoder mounting

Connection to application:

- 6 screws (not supplied)

8.0010.2270.0000

Angular flange



Scope of delivery:

- angular flange (aluminum)
- 3 screws for encoder mounting

Connection to application:

- 2 screws (not supplied)

8.0010.2300.0000

1 Countersunk DIN 74-Hm6

Fixing components for shaft encoders

Details

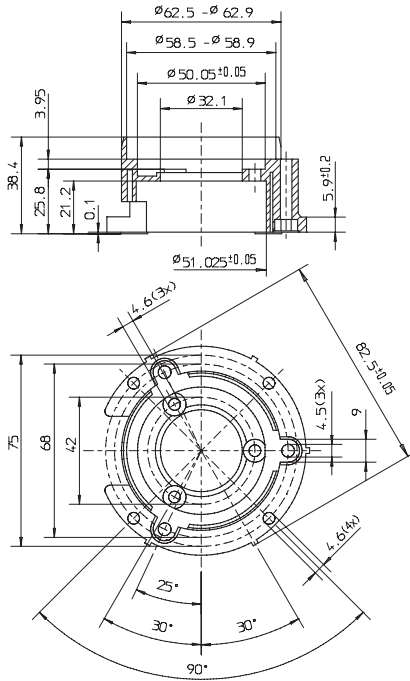
Dimensions / Details

Dimensions in mm [inch]

Order no.

Assembly bell

- Easy and quick encoder mounting
- Electrical and thermal isolation by means of glass fiber reinforced plastic and isolating spring washer coupling
- Supplied as complete set

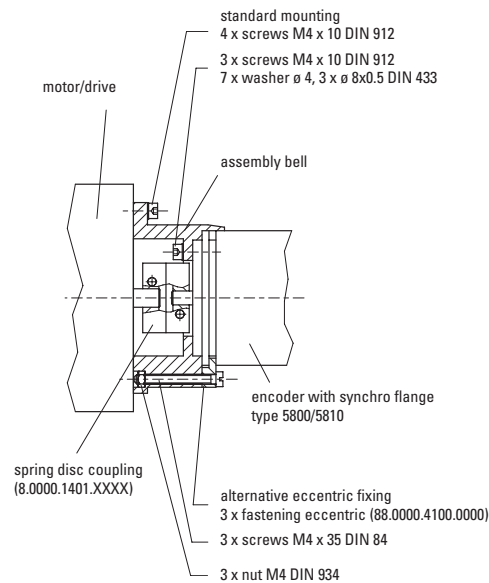


Scope of delivery:

- Assembly bell
- Spring washer type coupling (8.0000.1401.XXXX)
- 4 hexagon socket head cap screws DIN 912 M4 x 12 [0.47]
- 3 hexagon socket head cap screws DIN 912 M4 x 10 [0.39]
- 7 washers DIN 433 \varnothing 4 [0.16]
- 3 fastening eccentrics (8.0000.4B00.0000)
- 3 hexagon head screws DIN 84 M 4 x 35 [0.16 x 1.38]
- 3 hexagon nuts DIN 934 - M4



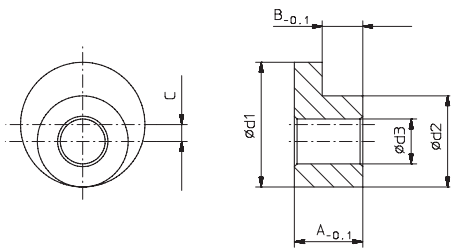
8.0000.4500.XXYY

XX = Coupling diameter
d1 in mm
YY = Coupling diameter
d2 in mm



Accessories

Fixing components for shaft encoders Details

Dimensions / Details	Dimensions in mm [inch]							Order no.
Fastening eccentrics for encoders with synchro flange - Suitable for Kübler encoders with synchro flange - Material ACu Zn 39 Pb 3 - Surface finish: galvanized Ni	<i>encoder type</i>	<i>D1</i>	<i>D2</i>	<i>D3</i>	<i>A</i>	<i>B</i>	<i>C</i>	
	3610 3651 M3658 F3653 / F3658 F3663 / F3668	6.8 [0.27]	5 [0.20]	2.8 [0.11]	3.5 [0.14]	2.25 [0.09]	0.9 [0.035]	8.0010.4200.0000
	5000 5803 / 5804 / 5805 5853 / 5858 5863 / 5868 F5863 / F5868 5852 7053 / 7058 7063 / 7068	9.6 [0.38]	6.5 [0.26]	3.2 [0.13]	5.6 [0.22]	2.9 [0.11]	1.55 [0.06]	8.0010.4100.0000
								<i>Scope of delivery:</i> - 3 eccentrics - 3 screws (Use at least three fastening eccentrics to mount the encoder)