

Cables and connectors

Preassembled cables

Sub-D connection technology

With Sub-D and M12-connector



Sub-D male connector, 9 pin with cable outlet 90°

PUR cable, 2 x 0.34 mm² [AWG22]

M12 male connector with external thread and
M12 female connector with coupling nut, 5 pin, B coded



Order details

Order no.

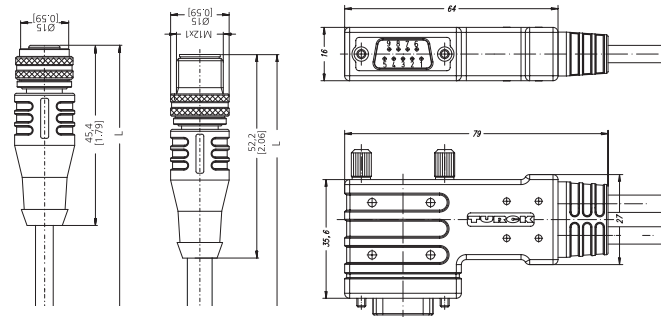
Sub-D male connector, 9 pin, cable outlet 90°
Profibus master with terminating resistor
Bus in, Bus out

Cable length		Order no.
1 m [3.28']		05.00.6012.5536.001M
2 m [6.56']		05.00.6012.5536.002M
...		...
xx m		05.00.6012.5536.0xxM
	standard cable length (further on request)	xx = length in meters: 1, 2, 3, 5, 8, 10, 12, 15, 20, 25, 30

Technical data

Connector	
housing Sub-D	ABS, metalized
housing M12	metal / plastic
Wire cross sections	2 x 0.34 mm ² [AWG22]
Working temperature range	
flexible installation	-25 °C ... +80 °C [-13 °F ... +176 °F]
fixed installation	-50 °C ... +80 °C [-58 °F ... +176 °F]
Bending radius cable min.	
flexible installation	114 mm [4.49"]
fixed installation	38 mm [1.50"]
Cable sheath	
cable diameter approx.	7.6 mm ±0.2 mm
material sheath	PUR

Dimensions in mm [inch]



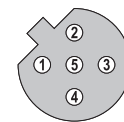
Connections

Terminal assignment

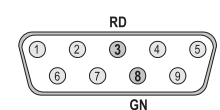
Pin Sub-D:		8		3	
Pin M12 female:	1	2	3	4	5
Pin M12 male:	1	2	3	4	5

Shield on housing (Sub-D additionally to pin 1)
pins arranged below each other are connected internally

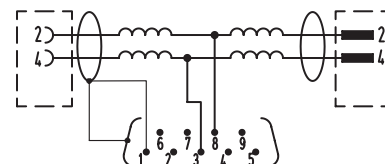
Plug-in face M12, B coded



Plug-in face Sub-D



Wiring diagram



Suitable for our series

Encoders singleturn	Encoders multiturn	Draw-wire encoders	Linear measuring systems	Slip rings
5858 / 5878	5868 / 5888	A41 A50 B75 B80 C60 C100	Limes KIT TB1	SR160