

Signal lights **SL35 / SL55**



The SL35 and SL55 signal lights with a 360° all-round LED display are the perfect solution for fast and reliable signaling of machine and plant statuses.

In combination with the Kübler sensors, measured values can be optimally displayed using the traffic light function (green, yellow, red) with the aid of set limit values. A far-reaching perception can be achieved with the optional siren.

With their compact design and robust housing, the signal lights can be used in a variety of ways, providing workers and supervisors with quick and clear status information.





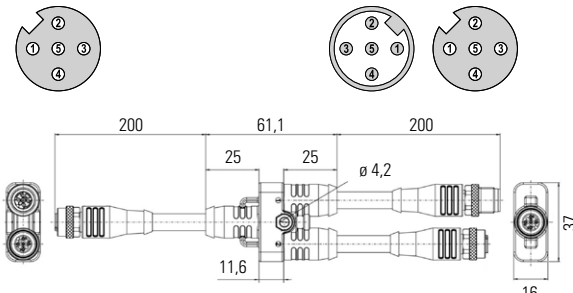
Features and benefits

- **Optimal signaling of states**
 - All-round LED display for 360° visibility
 - Traffic light function (green, yellow, red)
 - Optional siren for a far perception
 - Wide range of applications
- **Use even in harsh environmental conditions**
 - Waterproof and dustproof
 - Robust housing
 - Wide temperature range
 - UL approval
 - Long service life
- **Simple commissioning and installation**
 - Standardized electrical connection (M12 connector, 5-pin)
 - Predefined display logic (plug & play)
 - Compact design
 - Can be combined with almost all Kübler products
 - Mounting via M22 or M30 thread

Order code SL X 5 . 1 X 2 . 3 1 0

- | | |
|---|--|
| <p>a <i>Diameter</i></p> <p>3 = ø 35 mm
5 = ø 55 mm</p> <p>b <i>Variant</i></p> <p>1 = Multicolor (RGB)</p> | <p>c <i>Acoustics</i></p> <p>1 = without siren
2 = with siren (85 dB)</p> <p>d <i>Type of connection</i></p> <p>1 = M12 connector, 5-pin</p> |
|---|--|

Signal lights / signal towers

Signal lights		SL35 / SL55
Accessories		
Order no.		
Mounting bracket for SL55 	Mounting bracket for SL55 signal light - Aluminum black - 45 x 55 x 35 mm / Bore 30 mm	6.0000.S070.0002
Cables and connectors		
Order no.		
Y-distributor, 5-pin for signal lights with siren 	1 x female connector with coupling nut, 5-pin, A coded, 1 x male connector with external thread, 1 x female connector with coupling nut 5-pin, A coded	05.00.60F2.A2A6.00M4
		
Preassembled cables	M12 female connector with coupling nut, 5-pin, A coded, straight single ended 2 m [6.56'] PUR cable M12 female connector with coupling nut, 5-pin, A coded, straight M12 male connector with external thread, 5-pin, A coded, straight 2 m [6.56'] PVC cable	05.00.6021.E211.002M 05.00.6091.A4A2.002M

Further Kübler accessories can be found at: kuebler.com/accessories

Further Kübler cables and connectors can be found at: kuebler.com/connection-technology

Signal lights / signal towers

Signal lights SL35 / SL55

Technical data

Mechanical characteristics	
Material	PC
Colors	housing black dome translucent
Protection acc. to EN 60529	IP65/IP69k
Working temperature range	-20 °C ... +50 °C [-4 °F ... +122 °F]
Weight	SL35 35 g SL55 66 g, 69 g (with siren)
Connection	Connentor, 5-pin
Type of mounting	Built-in mounting
Dimensions	SL35 H = 64 mm, ø = 35 mm SL55 H = 82 mm, ø = 55 mm

Optical characteristics	
Light source	LED
Light color	Multicolor – green, yellow, red
Optical signal image	permanent light
Service life optical	> 50.000 h

Acoustic characteristics (siren)	
Volume max.	85 dB
Acoustic signal image	Continuous tone
Sound frequency	3400 Hz
Service life, acoustic	min. 5000 h

Electrical characteristics	
Supply voltage	10 ... 30 V DC
Operating voltage tolerance	SL35 ±0 % SL55 ±10 %
Rated operational current	SL35 60 mA 70 mA, with siren SL55 100 mA 105 mA, with siren
Rated inrush current	SL35 < 900 mA SL55 < 1000 mA
Protection class	2
Pollution degree	3 (in the connection area: 2)
Overvoltage category	SL55 I
Insulation voltage	SL55 $U_i = 50 \text{ V} / U_{imp} = 330 \text{ V}$

Approvals	
UL compliant	yes
UL type rating	type 4X
WEEE	yes
CE compliant in accordance with	
EMC Directive	2014/30/EU
RoHS Directive	2011/65/EU

Terminal assignment, display/signal tone logic

	M12 connector, male, 5-pin, A-coded					Siren *)	Color light
	Pin:	1	2	3	4		
Signal:	+V Normal operation	24 V Alarm	0 V GND	24 V Pre-alarm	24 V Siren muted		
Status 1:	✓	—	GND	—	—	off	
Status 2:	X	—	GND	✓	—	off	
Status 3:	X	✓	GND	X	—		
Status 4:	X	✓	GND	X	✓	off	

- +V: Supply voltage +V DC
- 0 V: Supply voltage ground GND (0 V)
- ✓ Voltage applied
- No voltage applied
- X Voltage or no voltage applied

*) for version with siren

Signal lights / signal towers

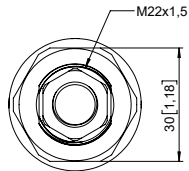
Signal lights

SL35 / SL55

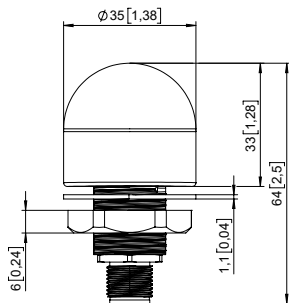
Dimensions

Dimensions in mm [inch]

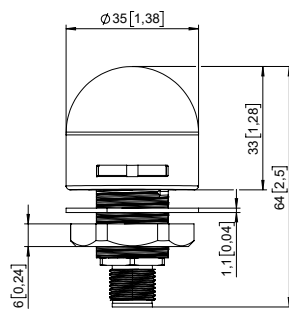
Signal lights SL35



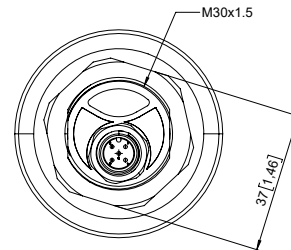
without siren



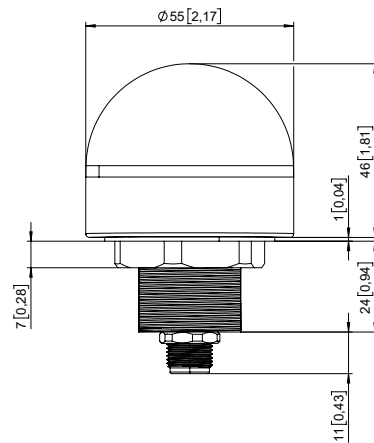
with siren



Signal lights SL55



without siren



with siren

