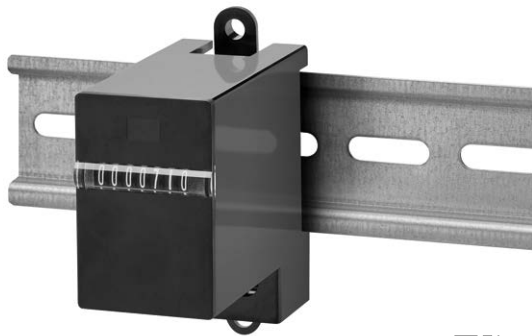


Micro counters **High shock resistance, for DIN-rail (AC+DC)** **SK07**



The micro-totalizers SK07 boast a very high level of shock resistance. Their DIN-rail mounting allows them to be installed quickly and easily in a wide range of application areas.

Characteristics

- 7-digit micro-totalizers.
- Rail mounting to EN 50022.
- Base mount counters.
- Large optical figures.
- Low power consumption.
- Small dimensions.

Benefits

- High shock resistance.
- Stores values if power fails.
- Long service life.

Applications

General quantity counting, installation in control cabinets and distribution boxes.

Type series

Description	Type	Order information
Base mounting and rail mounting	SK07.1	<ul style="list-style-type: none"> • Art. no. • For options please give exact counter type, voltage and options e.g.: SK07.1 – 9 V DC/0 – temperature range -20 °C ... +70 °C [-4 °F ... +158 °F]

Technical data	
Electrical connection	clamp terminal for cable diameter up to 2.5 mm ² , tightening torque max. 0.8 Nm
Power consumption – at 20 °C [68 °F]	
at 10 Hz (type 0)	approx. 50 mW
at 25 Hz (type 1)	approx. 250 mW
at 10 Hz (type a0)	approx. 800 mVA
Rated voltage	
type 0	1.5/3/4.5/5/6/12 V DC, -10 %, +20 %
type 1	3/4.5/5/6/12/24 V DC, ±10 %
type a0	12/24/115/230 V AC, ±10 %
Counting frequency	max. 10 and 25 Hz
Pulse duration	
at 10 Hz	min. 50 ms (type 0 and a0)
at 25 Hz	min. 20 ms (type 1)
Cycle duration factor	100 %
Number of digits	7
Counting system	adding
Height of figures (optical)	4 x 1.2 mm [0.16 x 0.047"]
Color of figures	white on black
Reset	no reset
Operating temperature	-10 °C ... +60 °C [+14 °F ... +140 °F] (non-condensing)
Relative humidity at +30 °C [+86 °F]	≤ 80 % (non-condensing)
Altitude	up to 2000 m [6562']
Mounting position	horizontal, other on request
Operating life	> 50 x 10 ⁶ pulses

Protection	IP50 (front side)
Housing	plastic black PC (Polycarbonate)
Weight	55 g [1.94 oz]
Device safety	designed to protection class 2 application area
	EN 61010 part 1 pollution level 2

Options
<ul style="list-style-type: none"> • electrical connection: flat pin 0.8 x 6.3 mm [0.032 x 0.25"], Art. no.: 1.1X2.X01.XXX.011 • different voltages • different digit colors • different temperature range depends on type -30 °C ... +85 °C [-22 °F ... +185 °F] or -20 °C ... +70 °C [-4 °F ... +158 °F]

Approvals	
UL compliant in accordance with	File no. E128604
CE compliant in accordance with	
EMC Directive	2014/30/EU
RoHS Directive	2011/65/EU
Low Voltage Directive	2014/35/EU

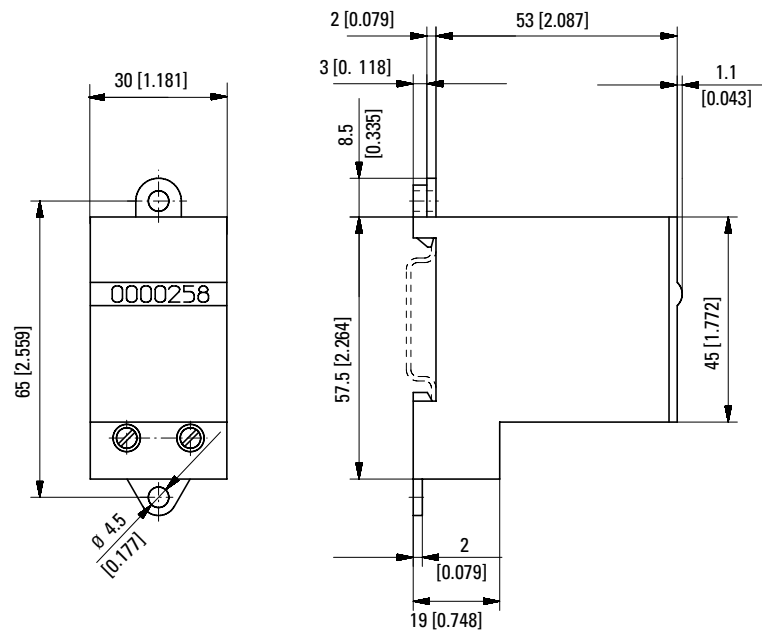
Pulse counters, electromechanical

Micro counters

High shock resistance, for DIN-rail (AC+DC)

SK07

**Base- and rail mounting
Type SK07.1**



Type	Voltage	Display	Art. no.			
			12 V	24 V	115 V	230 V
SK07.1	DC (10 Hz) / 0	7 digits	1.132.101.012	1.132.101.013 ¹⁾		
	DC (25 Hz) / 1		1.132.101.032	1.132.101.033 ¹⁾		
	AC (10 Hz) / a0			1.132.101.051 ¹⁾	1.132.101.054 ¹⁾	1.132.101.056 ¹⁾