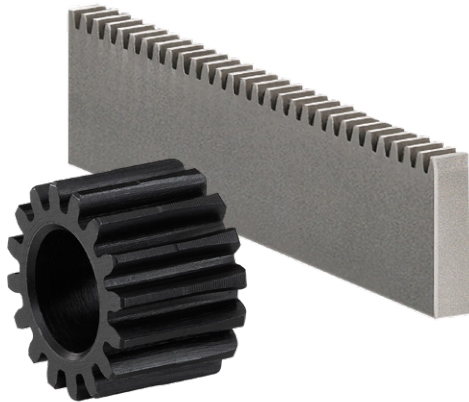


Measuring wheel systems

System components	Pinion and rack	For encoders with shaft \varnothing 6 and 10 mm
--------------------------	------------------------	---



For 100% slip-free measurement of linear movements.

Optimally matched combination of pinion and rack. The pitch of the rack and pinion is selected so that one revolution of the pinion on the rack corresponds to a travel of 50 mm.

Features

- Pinion**
 With 16 teeth for a travel of 50 mm per revolution. Bore for shafts with 6 mm or 10 mm diameter.
- Rack**
 1 meter long rack - with an optionally orderable installation aid, it is possible to line up several racks at exact intervals.

Order code Pinion	8.0010 . 7000 . 000 X ^a
--------------------------	------------------------------------

^a Bore diameter
 2 = \varnothing 6 mm
 6 = \varnothing 10 mm

Rack	8.0010 . 7000 . 0001
Length 1 meter	

Installation aid	8.0010 . 7000 . 0002
For precise pitch lining up of several racks	

Technical data

Pinion	
Material	free-cutting steel
Surface	burnished
Number of teeth	16

Rack / Installation aid	
Material	S235JR
Surface	uncoated

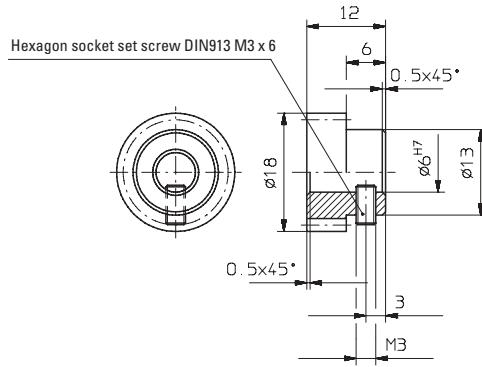
Measuring wheel systems

System components	Pinion and rack	For encoders with shaft \varnothing 6 and 10 mm
--------------------------	------------------------	---

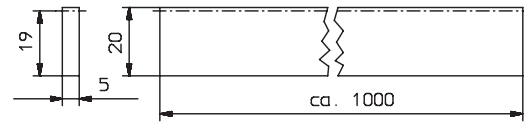
Dimensions

Dimensions in mm [inch]

Pinion



Rack



Installation aid

