

## Preassembled cables

## M12 connection technology

## With connector, 4 pin



### Male connector with external thread, D coded, straight

### PUR cable, 4 x 0.34 mm<sup>2</sup> [AWG22]

flame retardant, seawater resistant, recyclable, PWIS free, acid/alkali/oil/ozon/UV resistant, halogen/silicone free, hydrolysis proof, drag chain-adapted, torsion resistant, welding sparks resistant

### RJ45 connector



EtherNet/IP

EtherCAT  
Conformance tested



## Order details

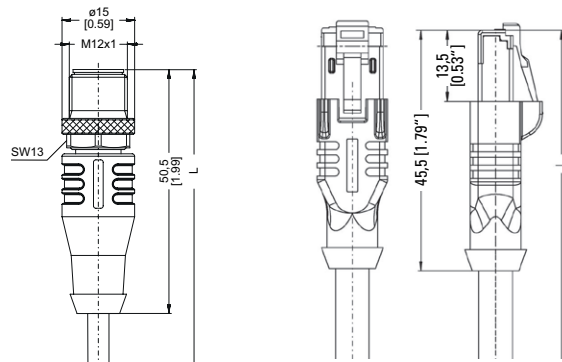
Order no.

Cable length	1 m [3.28']	<b>05.00.6031.7444.001M</b>
	2 m [6.56']	<b>05.00.6031.7444.002M</b>
	...	...
	xx m	<b>05.00.6031.7444.0xxM</b>
	standard cable length (further on request)	xx = length in meters: 1, 2, 3, 5, 8, 10, 12, 15, 20, 25, 30

## Technical data

<b>Connector</b>	
material housing	metal / plastic
protection	IP67
<b>Wire cross sections</b>	4 x 0.34 mm <sup>2</sup> [AWG22] + shield
<b>Working temperature range</b>	
flexible installation	-30 °C ... +70 °C [-22 °F ... +158 °F]
fixed installation	-40 °C ... +75 °C [-40 °F ... +167 °F]
<b>Bending radius cable min.</b>	
flexible installation	52 mm [2.05"]
fixed installation	26 mm [1.02"]
<b>Cable sheath</b>	
cable diameter approx.	6.5 mm ±0.2 mm
material sheath	PUR

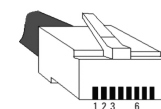
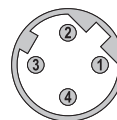
Dimensions in mm [inch]



## Connections

Shield on housing

Plug-in face, D coded



## Suitable for our series

Encoders singleturn	Encoders multiturn	Draw-wire encoders	Linear measuring systems	Slip rings
5858 / 5878	5868 / 5888	B75	Limes KIT TB1	SR120
F5858 / F5878	F5868 / F5888	B80		SR160
S5858 / S5878	S5868 / S5888	C105		
		C120		