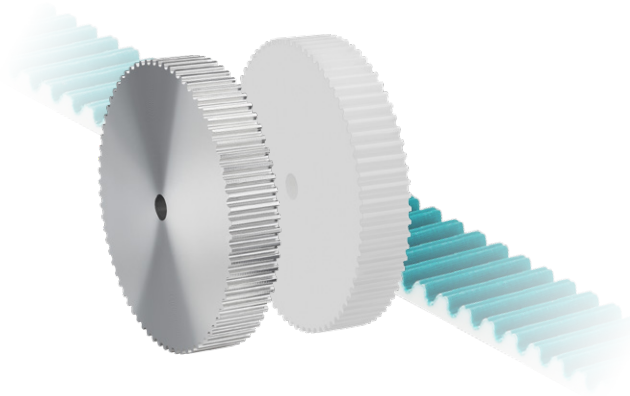


Measuring wheel systems

System components	Pulley and toothed belt	For encoders with shaft ø 10 mm
--------------------------	--------------------------------	--



For 100 % slip-free measurement of linear movements.

Pulleys and toothed belts are optimally matched and can be attached to all encoders with a shaft ø 10 mm.

In combination with a Kübler spring arm or spring bracket, the result is a highly precise and safe measuring system.

Features

- Pulley**
 Made of aluminum or plastic in various widths and circumferences. Bore diameter 10 mm.
- Toothed belt**
 The steel-reinforced plastic toothed belt in lengths up to 100 m is quickly and easily glued to the application.. (Recommendation: double-sided adhesive tape e.g. type M3, 9088FL)
 Also suitable for curved surfaces.

Order code Pulley	8.0000 . A X X 1 . 0360	Preferred types with short delivery time are shown in <u>bold underlined</u>
	a b c	
a Material	b Width	c Pitch circumference
<u>1 = aluminum</u> 2 = plastic	1 = 10 mm [0.39"] <u>2 = 20 m [0.79"]</u>	<u>0360 = 360 mm</u> Other pitch circumferences on request 0300 = 300 mm 0150 = 150 mm 0240 = 240 mm 0120 = 120 mm 0220 = 220 mm 0100 = 100 mm

Order code Toothed belt	8.0000 . B 1 X 1 . XXXX	Preferred types with short delivery time are shown in <u>bold underlined</u>
	a b	
a Width	b Length [in dm]¹⁾, Ex. :	<i>Optional on request:</i>
1 = 10 mm <u>3 = 25 mm</u> 4 = 50 mm	0010 = 1 m 0020 = 2 m ... 1000 = 100 m	length > 100 m

Technical data

Pulley	
Material	aluminum or plastic (POM-C)
Width	10 / 20 mm
Pitch circumference	100 ... 360 mm
Number of teeth	20 ... 72
Toothing type	HD60 – 5M
Pitch	5 mm

Toothed belt	
Material	steel-reinforced PU with polyamide fabric on the teeth side
Toothing type	RTD 5M
Tooth strength	37,8 N/cm belt width
Bend radius	min. 30 mm
Width	10 mm, 25 mm, 50 mm (others on request)
Height	3,8 mm
Length tolerance	± 0,8 mm/m
Width tolerance	± 0,5 mm
Weight	10 mm width 40 g/m 25 mm width 100 g/m 50 mm width 195 g/m

1) Yard ware (1 m, 2 m, ... 100 m), lengths > 100 m on request.

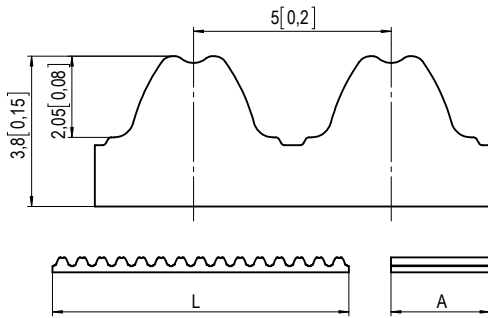
Measuring wheel systems

System components Pulley and toothed belt For encoders with shaft \varnothing 10 mm

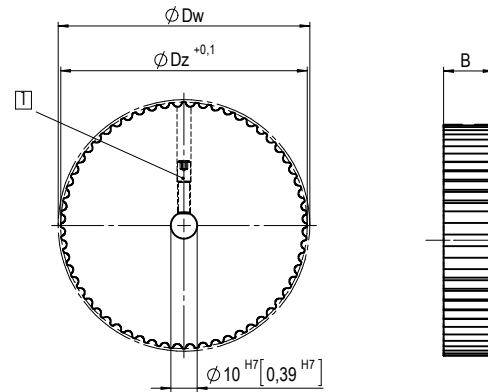
Dimensions

Dimensions in mm [inch]

Pulley



Toothed belt



L = yard ware (1 m, 2 m, ... 100 m)
other lengths > 100 m on request

1 Set screw M5 (SW2,5)
recommended tightening torque 2,0 Nm

Width toothed belt A [mm]	Width pulley B [mm]	No of teeth	Pitch diameter $\varnothing D_w$ [mm]	Tooth geometry $\varnothing D_z^{+0,1}$ [mm]	Distance to toothed belt R ± 1 [mm]
10 [0.39] 25 [0.98] 50 [1.97]	10 [0.39] 20 [0.79]	72	114.59 [4.51]	113.45 [4.47]	58.6 [2.31]
		60	95.49 [3.76]	94.35 [3.71]	49.0 [1.93]
		48	76.39 [3.01]	75.25 [2.96]	40.9 [1.61]
		44	70.03 [2.76]	68.89 [2.71]	36.3 [1.43]
		30	47.75 [1.88]	46.61 [1.84]	25.1 [0.99]
		24	38.19 [1.50]	37.06 [1.46]	20.4 [0.80]
		20	31.83 [1.25]	30.69 [1.21]	17.2 [0.68]