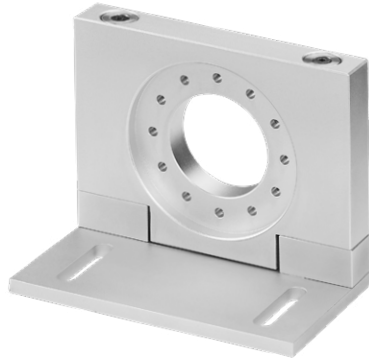


Measuring wheel systems

System components Performance-Line	Spring bracket MWE40	Contact force max. 25 N
---	-----------------------------	--------------------------------



For encoders with clamping flange ø 58 mm.

The MWE40 spring bracket in combination with an encoder and a measuring wheel as measuring wheel system MWE41 is the ideal solution for reliable speed measurement, position detection and length measurement in applications with linear movements.

This compact measuring wheel system with internal springs can be quickly and easily integrated into even the tightest installation spaces.

Features

- Contact force up to 25 N**
The integrated spring ensures a working range of the measuring wheel of up to 10 mm vertical to the measuring surface to compensate for tolerances.
- Suitable measuring wheels**
Circumference 300 mm – measuring wheel coating available with O-ring or double O-Ring, smooth or corrugated plastic, diamond knurl surface and tufted rubber.
- Compact design**
For quick and easy installation. With internal springs to protect against unwanted influences for and by the springs. Also suitable for the smallest installation space.
- Quick and easy installation**
Encoders can be mounted on the spring bracket in 30° steps.

Order code	8.MWE40 . 1 21 . 00 . 0000 . 0000
	Type 1

- 1** For encoder with clamping flange
 1 = ø 58 mm – Kübler Sendix encoder incremental KIS50, 5000, 5805
 – Kübler Sendix encoder absolute 586x, M586x, F586x

- Scope of delivery*
 - Spring bracket
 - 3 screws for encoder mounting

Stock types
8.MWE40.121.00.0000.0000

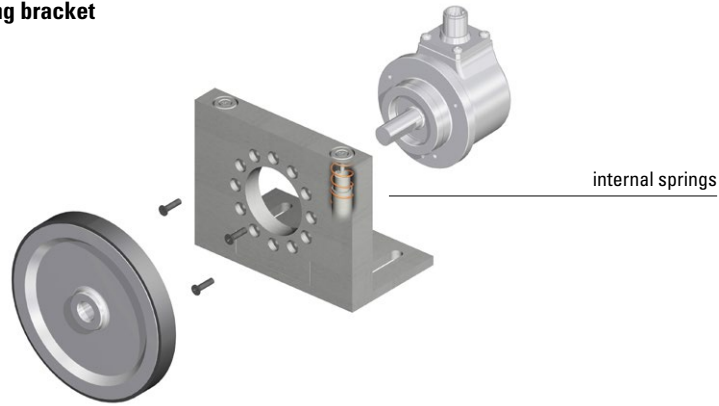
Measuring wheel systems

System components Performance-Line	Spring bracket MWE40	Contact force max. 25 N
---	-----------------------------	--------------------------------

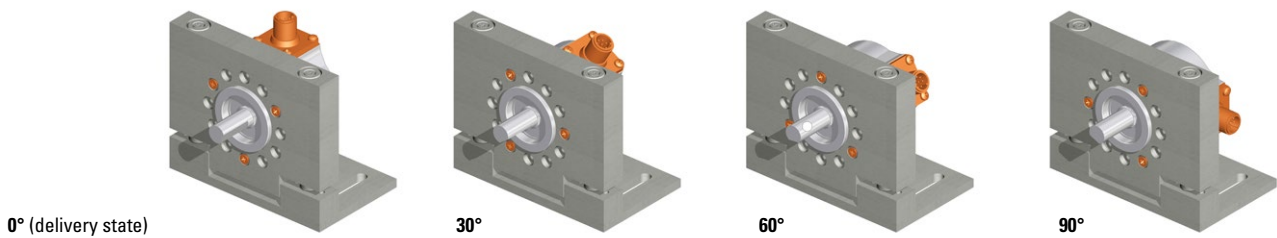
Technology in detail (operating principle of the MWE40 spring bracket in the MWE41 measuring wheel system)

Mounting options encoder on spring bracket

The encoder is attached to the spring bracket with 3 screws.



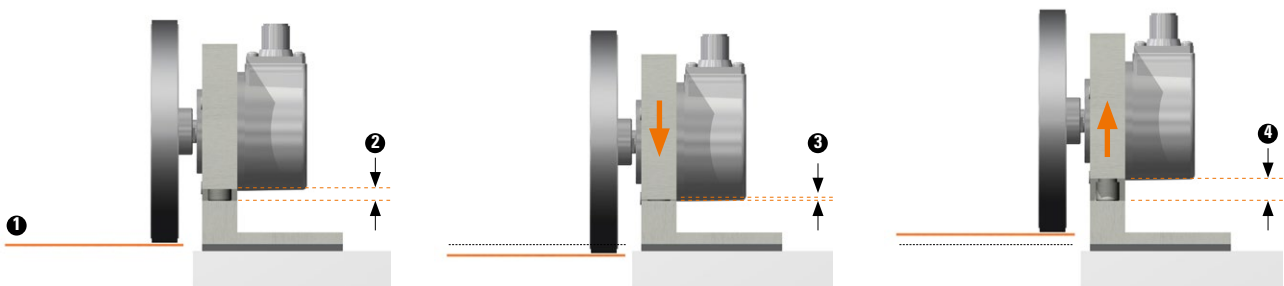
For a flexible outlet direction of the cable or connector, the encoder can additionally be mounted in 30° steps.



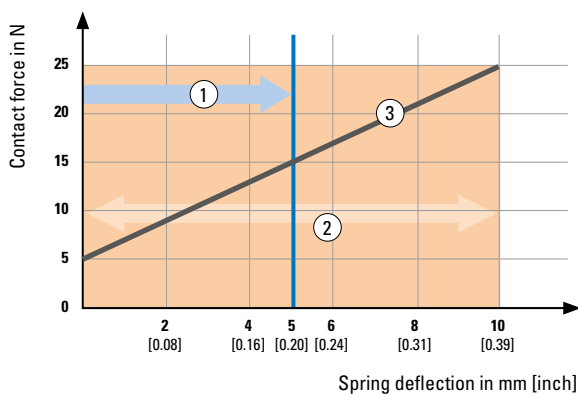
Mounting on the application

Install the MWE41 on the material to be measured ❶ in such a way that the requested preload is obtained. (ideally approx. 5 mm of the spring deflection ❷)

The working range is from 0 mm ❸ (equivalent to 5 N) to 10 mm ❹ (equivalent to 25 N)



Contact force of the measuring wheel on the material to be measured



- ❶ Preload, recommended : 15 N (approx. 5 mm deflection)
- ❷ Operating travel, max. : 10 mm
- ❸ Contact force in relation to spring deflection
(Functional principle based on 2 integrated springs)

Measuring wheel systems

System components	Spring bracket MWE40	Contact force max. 25 N
Performance-Line		

Technical data

Mechanical characteristics		
Materials	spring spring bracket	spring steel aluminum
Weight	350 g	
Contact force, max.	25 N	
Operating travel, max.	15 N (at 5 mm spring deflection)	
Preload, recommended	10 mm	
Working temperature range	-20 °C ... +70°C [-40 °F ... +176 °F]	
Shock resistance acc. EN 60068-2-27	1000 m/s ² , 6 ms	
Vibration resistance acc. EN 60068-2-6	100 m/s ² , 55 ... 2000 Hz	

Approvals	
UL compliant acc. to	File no. E224618
CE compliant acc. to	RoHS guideline 2011/65/EU

Dimensions

Dimensions in mm [inch]

