

# Cables and connectors

**Preassembled cables**

**M23 connection technology**

**With connector, 12-pin**



**Female connector with coupling nut,  
conting direction of the female contacts cw**

**PUR cable, 10 x 0.14 mm<sup>2</sup> [AWG25] + 2 x 0.34 mm<sup>2</sup> [AWG22] + shield**  
flame retardant, seawater resistant, recyclable, LABS free, acid/  
alkali/oil/ozon/UV resistant, halogen/silicone free, hydrolysis proof,  
drag chain-adapted, torsion resistant, welding sparks resistant

**Single-ended**



## Order details

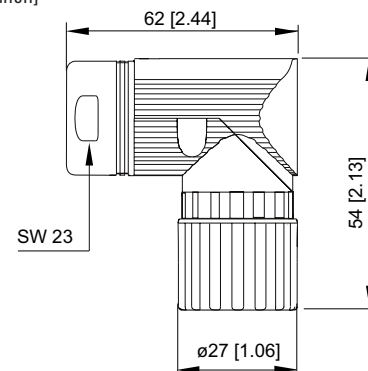
Order no.

Cable length	1 m [3.28']	<b>8.0000.6J07.0001.0043</b>
	2 m [6.56']	<b>8.0000.6J07.0002.0043</b>
	...	...
	xx m	<b>8.0000.6J07.00xx.0043</b>
	standard cable length (further on request)	xx = length in meters: 1, 2, 3, 5, 8, 10, 12, 15, 20, 25, 30

## Technical data

<b>Connector</b>	
material housing	metal
protection	IP67
<b>Wire cross sections</b>	
	10 x 0.14 mm <sup>2</sup> [AWG25] + 2 x 0.34 mm <sup>2</sup> [AWG22] + shield
<b>Working temperature range</b>	
flexible installation	-10 °C ... +90 °C [+14 °F ... +194 °F]
fixed installation	-30 °C ... +90 °C [-22 °F ... +194 °F]
<b>Bending radius cable min.</b>	
flexible installation	100 mm [3.94"]
fixed installation	65 mm [2.56"]
<b>Cable sheath</b>	
cable diameter approx.	6.7 mm ±0.3 mm
material sheath	PUR

Dimensions in mm [inch]



## Connections

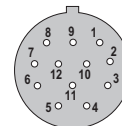
Terminal assignment

Pin female contacts:	1	2	3	4	5	6	7	8	9	10	11	12
Core color:	WH/GN 0.34 mm <sup>2</sup>	BN/GN 0.34 mm <sup>2</sup>	GN	YE	GY	PK	BU	RD	BK	VT	WH	BN

Shield on housing

Plug-in face

conting direction: female contacts cw



## Suitable for our series

Encoder incremental	Encoders singleturn	Encoders multiturn
5803 / 5823	5853 / 5873	5863 / 5883
5805 / 5825	5853FSx / 5873FSx	5863FSx / 5883FSx
5814 / 5834		
5814FSx / 5834FSx		
A020 / A02H		
H120		