

Cables and connectors

Preassembled cables

M23 connection technology

With connector, 12-pin



**Female connector with coupling nut,
conting direction of the female contacts cw**

PUR cable, 10 x 0.14 mm² [AWG25] + 2 x 0.34 mm² [AWG22] + shield
flame retardant, seawater resistant, recyclable, LABS free, acid/
alkali/oil/ozon/UV resistant, halogen/silicone free, hydrolysis proof,
drag chain-adapted, torsion resistant, welding sparks resistant

Single-ended



Order details

Order no.

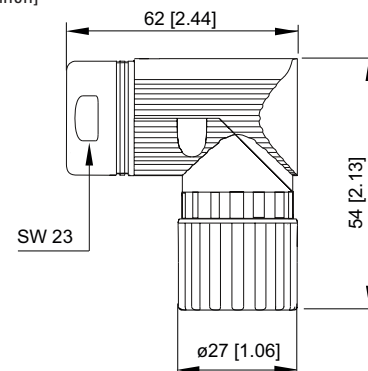
Cable length	1 m [3.28']	8.0000.6J07.0001.0043
	2 m [6.56']	8.0000.6J07.0002.0043

	xx m	8.0000.6J07.00xx.0043
	standard cable length (further on request)	xx = length in meters: 1, 2, 3, 5, 8, 10, 12, 15, 20, 25, 30

Technical data

Connector	
material housing	metal
protection	IP67
Wire cross sections	10 x 0.14 mm ² [AWG25] + 2 x 0.34 mm ² [AWG22] + shield
Working temperature range	
flexible installation	-10 °C ... +90 °C [+14 °F ... +194 °F]
fixed installtion	-30 °C ... +90 °C [-22 °F ... +194 °F]
Bending radius cable min.	
flexible installation	100 mm [3.94"]
fixed installtion	65 mm [2.56"]
Cable sheath	
cable diameter approx.	6.7 mm ±0.3 mm
material sheath	PUR

Dimensions in mm [inch]



Connections

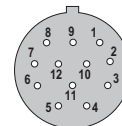
Terminal assignment

Pin female contacts:	1	2	3	4	5	6	7	8	9	10	11	12
Core color:	WH/GN	BN/GN	GN	YE	GY	PK	BU	RD	BK	VT	WH	BN

Shield on housing

Plug-in face

conting direction: female contacts cw



Suitable for our series

Encoder incremental	Encoders singleturn	Encoders multiturn
5803 / 5823	5853 / 5873	5863 / 5883
5805 / 5825	5853FSx / 5873FSx	5863FSx / 5883FSx
5814 / 5834		
5814FSx / 5834FSx		
A020 / A02H		
H120		