

Cables and connectors

Preassembled cables

M12 connection technology

With connector, 5 pin



Female connector with coupling nut, A coded, right-angle

PVC cable, 3 x 2 x 0.25 mm² [AWG23]
seawater resistant, recyclable, PWIS free,
acid/alkali/oil/ozon/UV resistant

Male connector with external thread, A coded, right-angle



Order details

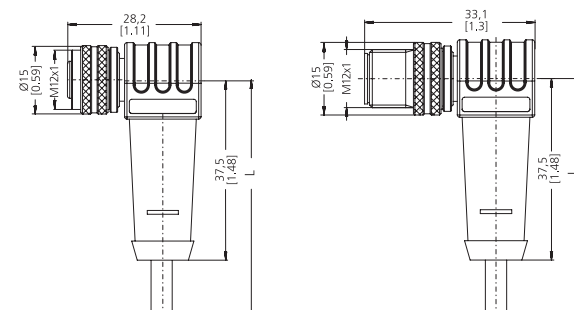
Order no.

for Bus in / out	Cable length	2 m [6.56']	05.00.6091.A5A3.002M
		5 m [16.40']	05.00.6091.A5A3.005M
	
		xx m	05.00.6091.A5A3.0xxM
	standard cable length (further on request)		xx = length in meters: 2, 5, 10, 15, 20, 30

Technical data

Connector	
material housing	metal / plastic
protection	IP67
Wire cross sections	3 x 2 x 0.25 mm ² [AWG23] + shield
Working temperature range	-30 °C ... +90 °C [-22 °F ... +194 °F]
Bending radius cable min.	
flexible installation	70 mm [2.76"]
fixed installation	45 mm [1.77"]
Cable sheath	
cable diameter approx.	4.7 mm ±0.2 mm
material sheath	PVC

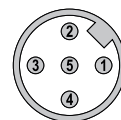
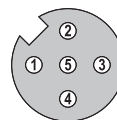
Dimensions in mm [inch]



Connections

Shield on housing

Plug-in face, A coded



Suitable for our series

Encoders incremental	Encoders singleturn	Encoders multiturn	Draw-wire encoders	Linear measuring systems	Inclinometers	Slip rings
5000 / 5020	3651 / 3671	M3661(R) / M3681	A41	Limes KIT TB1	IN88	SR160
KIS50 / KIH50	M3651A(R) / M3671A	M3668(R) / M3688	A50			
A02H	M3658A(R) / M3678A	F3668 / F3688	B75			
	F3653 / F3673	M5861	B80			
	F3658 / F3678	M5868	C60			
	M5851A	5868 / 5888	C100			
	M5878A	F5868 / F5888	C105			
	5858 / 5878	F5888M Motor-Line	C120			
	S3674	S3684	D120			
			D125			
			D135			