

# Cables and connectors

**Preassembled cables**

**M12 connection technology**

**With connector, 5 pin**



**Female connector with coupling nut, A coded, straight**

**PVC cable, 3 x 2 x 0.25 mm<sup>2</sup> [AWG23]**  
seawater resistant, recyclable, PWIS free,  
acid/alkali/oil/ozon/UV resistant

**Male connector with external thread, A coded, straight**



**SAE J1939**

**Order details**

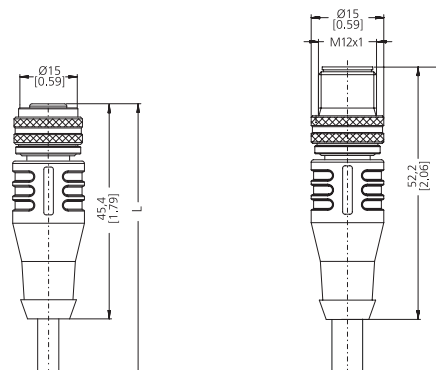
Order no.

for Bus in / out	Cable length	1 m [3.28']	<b>05.00.6091.A4A2.001M</b>
		2 m [6.56']	<b>05.00.6091.A4A2.002M</b>
		...	...
		xx m	<b>05.00.6091.A4A2.0xxM</b>
	standard cable length (further on request)		xx = length in meters: 1, 2, 3, 5, 8, 10, 12, 15, 20, 25, 30

**Technical data**

<b>Connector</b>	
material housing	metal / plastic
protection	IP67
<b>Wire cross sections</b>	3 x 2 x 0.25 mm <sup>2</sup> [AWG23] + shield
<b>Working temperature range</b>	-30 °C ... +90 °C [-22 °F ... +194 °F]
<b>Bending radius cable min.</b>	
flexible installation	70 mm [2.76"]
fixed installation	45 mm [1.77"]
<b>Cable sheath</b>	
cable diameter approx.	4.7 mm ±0.2 mm
material sheath	PVC

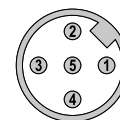
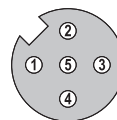
Dimensions in mm [inch]



**Connections**

Shield on housing

Plug-in face, A coded



**Suitable for our series**

Encoders incremental	Encoders singleturn	Encoders multiturn	Draw-wire encoders	Linear measuring systems	Inclinometers	Slip rings
5000 / 5020	3651 / 3671	M3661(R) / M3681	A41	Limes KIT TB1	IN88	SR160
KIS50 / KIH50	M3651A(R) / M3671A	M3668(R) / M3688	A50			
A02H	M3658A(R) / M3678A	F3668 / F3688	B75			
	F3653 / F3673	M5861	B80			
	F3658 / F3678	M5868	C60			
	M5851A	5868 / 5888	C100			
	M5878A	F5868 / F5888	C105			
	5858 / 5878	F5888M Motor-Line	C120			
	S3674	S3684	D120			
			D125			
			D135			