

Cables and connectors

Preassembled cables

M12 connection technology

With connector, 8 pin



Female connector with coupling nut, A coded, straight

PUR cable, 8 x 0.25 mm² [AWG23]

flame retardant, seawater resistant, recyclable, PWIS free, acid/alkali/oil/ozon/UV resistant, halogen/silicone free, hydrolysis proof, drag chain-adapted, torsion resistant, welding sparks resistant

Male connector with external thread, A coded, straight



Analog output

Push-Pull

HTL

RS422

TTL

Open Collector

NPN

SinCos

Order details

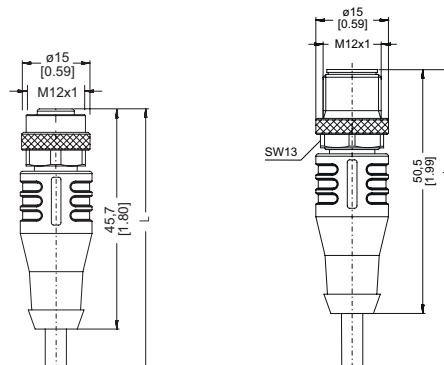
Order no.

| | | |
|--------------|---|--|
| Cable length | 2 m [6.56'] | 05.00.6051.8284.002M |
| | 5 m [16.40'] | 05.00.6051.8284.005M |
| | ... | ... |
| | xx m | 05.00.6051.8284.0xxM |
| | standard cable length (further on request) | xx = length in meters: 2, 5, 10, 15, 20, 30 |

Technical data

| | |
|----------------------------------|--|
| Connector | |
| material housing | metal / plastic |
| protection | IP67 |
| Wire cross sections | 8 x 0.25 mm ² [AWG23] |
| Working temperature range | |
| flexible installation | -30 °C ... +90 °C [-22 °F ... +194 °F] |
| fixed installation | -40 °C ... +90 °C [-40 °F ... +194 °F] |
| Bending radius cable min. | |
| flexible installation | 75.6 mm [2.98"] |
| fixed installation | 31.5 mm [1.24"] |
| Cable sheath | |
| cable diameter approx. | 6.3 mm ±0.2 mm |
| material sheath | PUR |

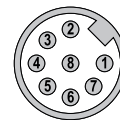
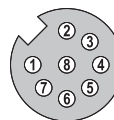
Dimensions in mm [inch]



Connections

Shield on housing

Plug-in face, A coded



Suitable for our series

| Encoders incremental | Encoders singleturn | Encoders multiturn | Draw-wire encoders | Linear measuring systems |
|----------------------|---------------------|--------------------|--------------------|--|
| 3610 / 3620 | M3653A(R) / M3673A | M3663(R) / M3683 | A41 | Limes KIT TB1 |
| 5000 / 5020 | M5853 | F3663 / F3683 | A50 | Length measuring systems with rack and measuring wheel |
| KIS50 / KIH50 | 5853 / 5873 | M5863 | B75 | |
| 5834 Motor-Line | | 5863 / 5883 | B80 | |
| 5814FS2 / 5834FS2 | | | C105 | |
| 5814FS3 / 5834FS3 | | | C120 | |
| 5805 / 5825 | | | D135 | |
| 5006 / 5026 | | | | |
| 5821 | | | | |
| A020 / A02H | | | | |
| H120 | | | | |