

# Cables and connectors

**Preassembled cables**

**M12 connection technology**

**With connector, 5 pin**



**Female connector with coupling nut, B coded, straight**

**PUR cable, 2 x 0.34 mm<sup>2</sup> [AWG22]**

flame retardant, seawater resistant, recyclable, PWIS free, acid/alkali/oil/ozon/UV resistant, halogen/silicone free, hydrolysis proof, drag chain-adapted, torsion resistant, welding sparks resistant

**Male connector with external thread, B coded, straight**



**Order details**

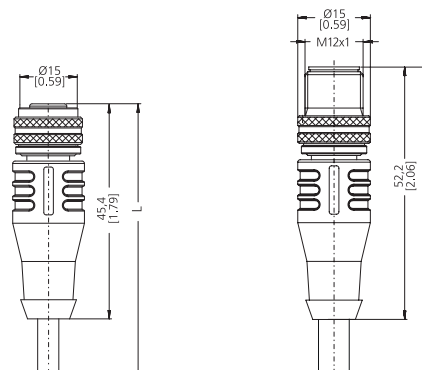
Order no.

for Bus in / out	Cable length	1 m [3.28']	<b>05.00.6011.3432.001M</b>
		2 m [6.56']	<b>05.00.6011.3432.002M</b>
		...	...
		xx m	<b>05.00.6011.3432.0xxM</b>
	standard cable length (further on request)		xx = length in meters: 1, 2, 3, 5, 8, 10, 12, 15, 20, 25, 30

**Technical data**

<b>Connector</b>	
material housing	metal / plastic
protection	IP67
<b>Wire cross sections</b>	
	2 x 0.34 mm <sup>2</sup> [AWG22]
<b>Working temperature range</b>	
flexible installation	-25 °C ... +80 °C [-13 °F ... +176 °F]
fixed installation	-50 °C ... +80 °C [-58 °F ... +176 °F]
<b>Bending radius cable min.</b>	
flexible installation	114 mm [4.49"]
fixed installation	38 mm [1.50"]
<b>Cable sheath</b>	
cable diameter approx.	7.6 mm ±0.2 mm
material sheath	PUR

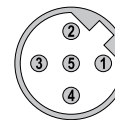
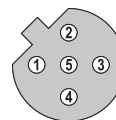
Dimensions in mm [inch]



**Connections**

Shield on housing

Plug-in face, B coded



**Suitable for our series**

Encoders singleturn	Encoders multiturn	Draw-wire encoders	Linear measuring systems	Slip rings
5858 / 5878	5868 / 5888	B75 B80 C105 C120 D135	Limes KIT TB1	SR160