

Connection technology

M12 connection technology

Cordsets, pre-assembled

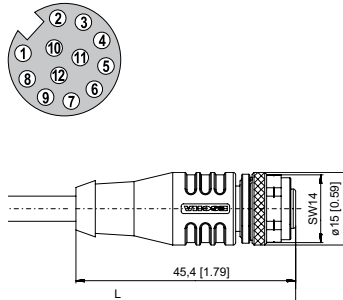
With connector, 12 pin

Working temp. -30°C ... +90°C [-22°F ... +194°F]

Order no.

Female connector with coupling nut + single-ended
A coded, straight

Cable: PUR, 6 x 2 x 0.14 mm² [AWG25]
 Housing: metal / plastic, IP67



suitable for our series:

RLA50
 LA10
 C100, D125

Terminal assignment

| | | | | | | | | | | | | | |
|----------------------|----|----|----|----|----|----|----|----|----|----|-------|-------|------------------|
| Pin female contacts: | 1 | 2 | 3 | 4 | 5 | 6 | 7 | 8 | 9 | 10 | 11 | 12 | PH ²⁾ |
| Core color: | WH | BN | GN | YE | GY | PK | BU | RD | BK | VT | GY/PK | RD/BU | PH ²⁾ |

cable length ¹⁾

| | |
|--------------------------|---------------|
| standard cable length | 2 m [6.56'] |
| (available from 1 piece) | 5 m [16.40'] |
| | 10 m [32.81'] |
| | 15 m [49.21'] |

05.00.60B1.B211.002M
05.00.60B1.B211.005M
05.00.60B1.B211.010M
05.00.60B1.B211.015M

other cable lengths
 (minimum order quantity 4 pieces)

05.00.60B1.B211.0xxM
 xx = length in meters:
 1, 3, 8, 12, 20, 25, 30

1) Other cable lengths on request.
 2) Shield on housing.