

The LES.MK mounting kit includes all components required for installing the Ants LES02 sensor and its coded band in the elevator shaft.

Order code

Mounting kit for the safe shaft copying system Ants LES

8.LES.MK.0001

Scope of delivery:

Pos.	Quantity	
4	3 x	Carabiners
5	1 x	Sensor cabin fastening plate
6	1 x	Sensor fastening screw
7	1 x	Washer
8	1 x	Tension spring
9	2 x	Rail fastening plates
10	8 x	M10x30 hexagon head screws
11	8 x	M10 hexagon nuts
12	8 x	M10 large diameter washers
13	8 x	M10 spring washers
14	8 x	Clamping plates
15	1 x	Securing band

To be ordered separately (see Ants LES02 data sheet):

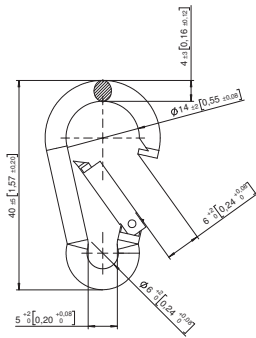
Pos.	Quantity	
1	1 x	Sensor Ants LES02 (8.LES02.xxxx.xxxx)
3	1 x	Coded stainless steel band LEX.BA (8.LEX.BA.xxxx)

Linear Measuring Technology

Shaft copying system Accessories	Mounting kit Safe	LES.MK
---	--------------------------	---------------

Technical data single elements	Dimensions in mm [inch]
---------------------------------------	-------------------------

4 Carabiner

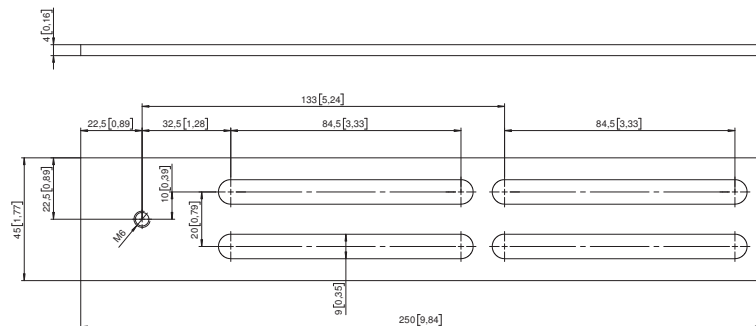


Material: V4A stainless steel
 Dimensions: 4 x 40 mm [0.16 x 1.57"]
 Breaking load: 590 kg

5 Sensor cabin fastening plate



Material: galvanized steel



8 Tension spring
with closed hooks



Material: Galvanized spring steel wire strength class SH
 Wire diameter: 3.20 mm [0.13"]
 External diameter: 29 mm [1.14"]
 Untensioned length: 170 mm [6.69"]
 Tensioned length: 320 mm [12.60"]
 Spring travel: 150 mm [5.90"]
 External hook diameter: 29 mm [1.14"]
 Load: 263.26 N

Linear Measuring Technology

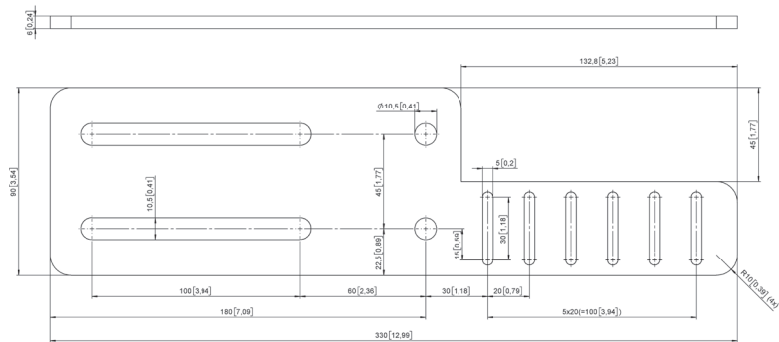
Shaft copying system Accessories	Mounting kit Safe	LES.MK
---	--------------------------	---------------

Technical data single elements	Dimensions in mm [inch]
---------------------------------------	-------------------------

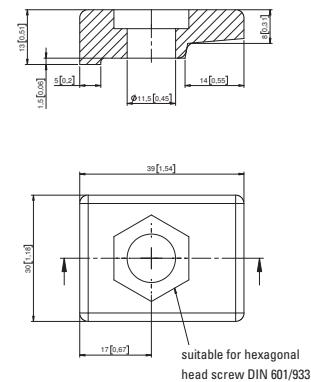
9 Rail fastening plates



Material: Galvanized steel
 Dimensions: 330 mm x 90 mm [13.00 x 3.54"]
 Material thickness: 6 mm [0.24"]



14 Clamping plates



Material: Galvanized steel
 Nominal size: M10
 Through hole: 11.5
 Permissible force: 20 kN
 Permissible force component: 10.74 kN
 Clamping surface force: 4.68 kN
 Counter surface force: 6.06 kN
 Required tightening torque: 40 Nm

15 Securing band



Material: V2A spring-tensioned stainless steel
 Dimensions: 16 mm x 0.4 mm [0.63 x 0.016"]
 Max. length: 270 mm [10.63"]
 Thermal expansion coefficient: $16 \times 10^{-6} / K$, zw. 20°C ... 100°C



Linear Measuring Technology

Shaft copying system Accessories		Mounting kit Safe	LES.MK
Accessories / Spare parts			Order-no.
Carabiner	as spare part		8.LEX.ZB.0007
EMC shield terminal	for EMC-compliant cable installation		8.0000.4G06.0312
Screw retention Loctite 243 (5 ml)	to secure and ensure the tightness of threaded fastening elements		8.0000.4G05.0000