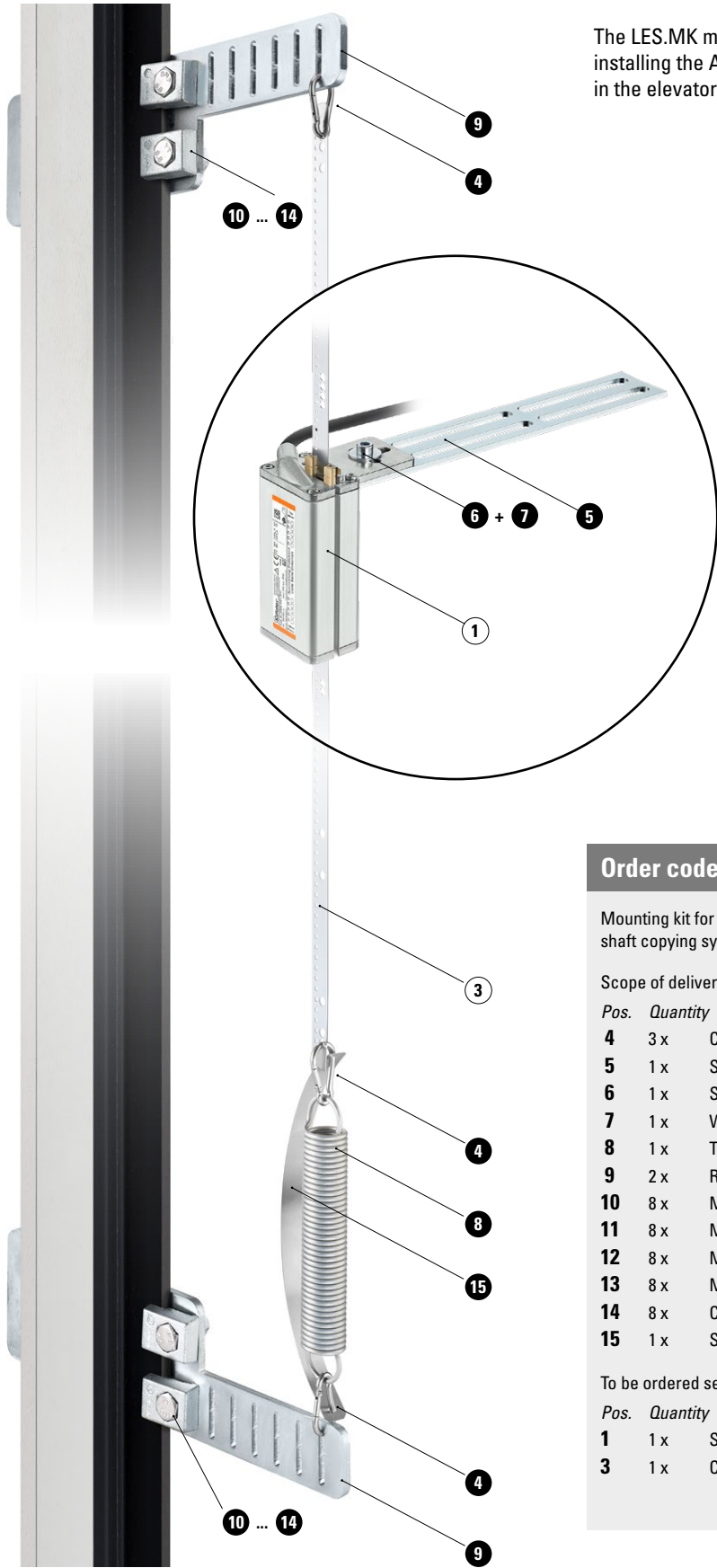


Shaft copying systems

Accessories	LES.MK	Mounting kit Safe
--------------------	---------------	--------------------------



The LES.MK mounting kit includes all components required for installing the Ants LES02 and Ants LES03 sensor and its coded band in the elevator shaft.

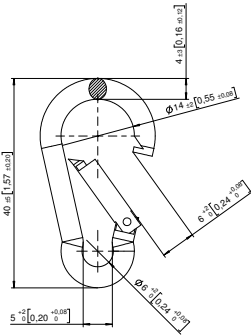
Order code	
Mounting kit for the safe shaft copying systems Ants LESx	8.LES.MK.0001
	<i>Stock type</i>
Scope of delivery:	
<i>Pos.</i>	<i>Quantity</i>
4	3 x Carabiners
5	1 x Sensor cabin fastening plate
6	1 x Sensor fastening screw
7	1 x Washer
8	1 x Tension spring
9	2 x Rail fastening plates
10	8 x M10x30 hexagon head screws
11	8 x M10 hexagon nuts
12	8 x M10 large diameter washers
13	8 x M10 spring washers
14	8 x Clamping plates
15	1 x Securing band
To be ordered separately (see Ants LES02 or Ants LES03 data sheet):	
<i>Pos.</i>	<i>Quantity</i>
1	1 x Sensor Ants LES0x (8.LES0x.xxxx.xxxx)
3	1 x Coded stainless steel band LEX.BA (8.LEX.BA.xxxx)

Shaft copying systems

Accessories	LES.MK	Mounting kit Safe
--------------------	---------------	--------------------------

Technical data single elements	Dimensions in mm [inch]
--------------------------------	-------------------------

4 Carabiner

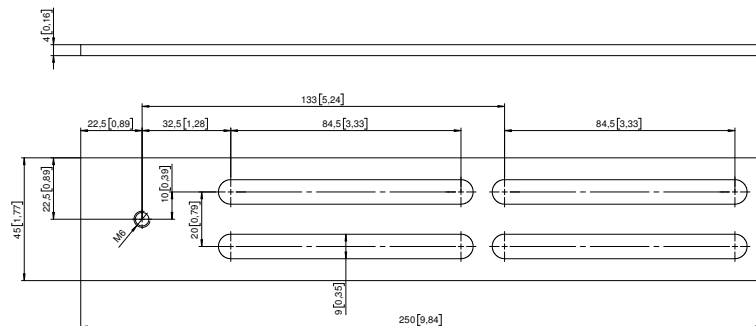


Material: V4A stainless steel
 Dimensions: 4 x 40 mm [0.16 x 1.57"]
 Breaking load: 590 kg

5 Sensor cabin fastening plate



Material: galvanized steel



8 Tension spring

with closed hooks



Material: Galvanized spring steel wire strength class SH
 Wire diameter: 3.20 mm [0.13"]
 External diameter: 29 mm [1.14"]
 Untensioned length: 170 mm [6.69"]
 Tensioned length: 320 mm [12.60"]
 Spring travel: 150 mm [5.90"]
 External hook diameter: 29 mm [1.14"]
 Load: 263.26 N

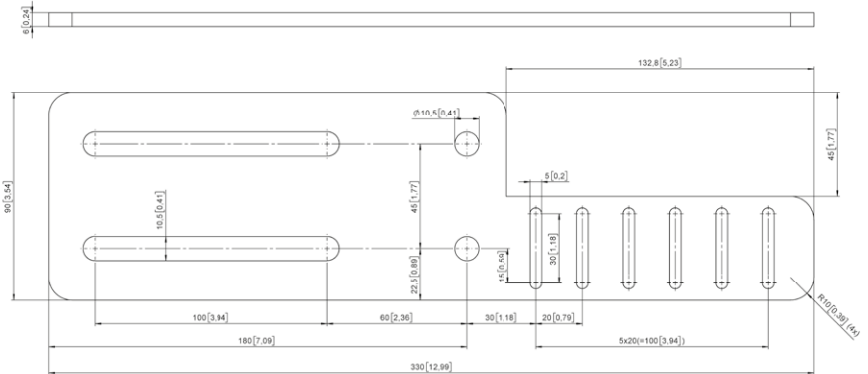
Shaft copying systems

Accessories	LES.MK	Mounting kit Safe
--------------------	---------------	--------------------------

Technical data single elements	Dimensions in mm [inch]
---------------------------------------	-------------------------

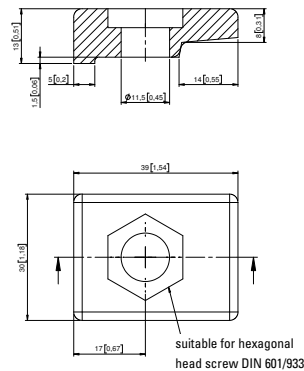
9 Rail fastening plates

Material: Galvanized steel
Material thickness: 6 mm [0.24"]



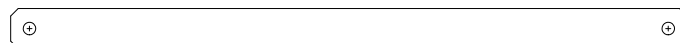
14 Clamping plates

Material: Galvanized steel
Nominal size: M10
Through hole: 11.5
Permissible force: 20 kN
Permissible force component: 10.74 kN
Clamping surface force: 4.68 kN
Counter surface force: 6.06 kN
Required tightening torque: 40 Nm



15 Securing band

Material: V2A spring-tensioned stainless steel
Dimensions: 16 mm x 0.4 mm [0.63 x 0.016"]
Max. length: 270 mm [10.63"]
Thermal expansion coefficient: $16 \times 10^{-6} / K$, zw. 20°C ... 100°C



Shaft copying systems

Accessories	LES.MK	Mounting kit Safe
Accessories / Spare parts		Order-no.
Carabiner	as spare part	8.LEX.ZB.0007
EMC shield terminal	for EMC-compliant cable installation	8.0000.4G06.0312
Screw retention Loctite 243 (5 ml)	to secure and ensure the tightness of threaded fastening elements	8.0000.4G05.0000