

The LEB.MK mounting kit includes all components required for installing the Ants LEB02 sensor and its coded band in the elevator shaft.

### Order code

Mounting kit for the shaft copying system Ants LEB

**8.LEB.MK.0001**

Scope of delivery:

Pos.	Quantity	
4	1 x	Carabiners
5	1 x	Sensor cabin fastening plate
6	1 x	Sensor fastening screw
7	1 x	Washer
8	1 x	Tension spring
9	2 x	Rail fastening plates
10	4 x	M10x30 hexagon head screws
11	4 x	M10 hexagon nuts
12	4 x	M10 large diameter washers
13	4 x	M10 spring washers
14	4 x	Clamping plates

To be ordered separately (see Ants LEB02 data sheet):

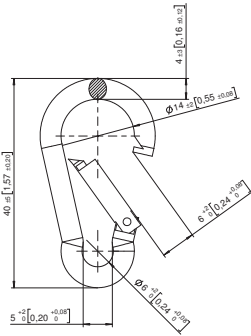
Pos.	Quantity	
1	1 x	Sensor Ants LEB02 (8.LEB02.xxxx.xxxx)
3	1 x	Coded stainless steel band LEX.BA (8.LEX.BA.xxxx)

# Linear measuring technology

<b>Shaft copying system Accessories</b>	<b>Mounting kit Base</b>	<b>LEB.MK</b>
---------------------------------------------	--------------------------	---------------

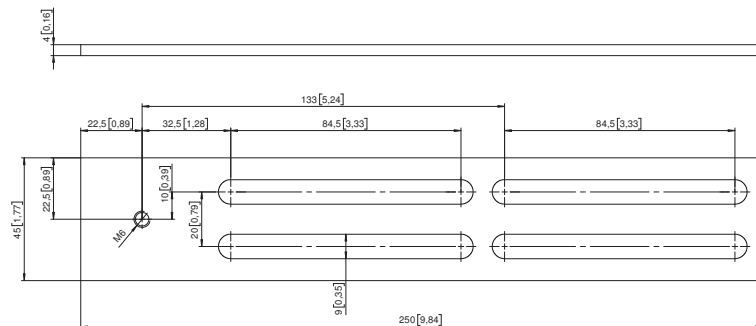
<b>Technical data single elements</b>	Dimensions in mm [inch]
---------------------------------------	-------------------------

**4 Carabiner**



Material: V4A stainless steel  
 Dimensions: 4 x 40 mm [0.16 x 1.57"]  
 Breaking load: 590 kg

**5 Sensor cabin fastening plate**



Material: galvanized steel

**8 Tension spring**  
with open hooks





Material: Galvanized spring steel wire strength class SH  
 Wire diameter: 3.20 mm [0.13"]  
 External diameter: 29 mm [1.14"]  
 Untensioned length: 170 mm [6.69"]  
 Tensioned length: 320 mm [12.60"]  
 Spring travel: 150 mm [5.90"]  
 External hook diameter: 29 mm [1.14"]  
 Load: 263.26 N

# Linear measuring technology

<b>Shaft copying system Accessories</b>	<b>Mounting kit Base</b>	<b>LEB.MK</b>
---------------------------------------------	--------------------------	---------------


<b>Technical data single elements</b>	Dimensions in mm [inch]
---------------------------------------	-------------------------

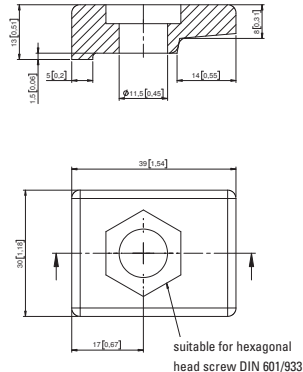
**9 Rail fastening plates**

Material: Galvanized steel  
Dimensions: 330 mm x 90 mm [13.00 x 3.54"]  
Material thickness: 6 mm [0.24"]

**14 Clamping plates**





Material: Galvanized steel  
Nominal size: M10  
Through hole: 11.5  
Permissible force: 20 kN  
Permissible force component: 10.74 kN  
Clamping surface force: 4.68 kN  
Counter surface force: 6.06 kN  
Required tightening torque: 40 Nm

Accessories / Spare parts		Order-no.
<b>Carabiner</b>	as spare part	<b>8.LEX.ZB.0007</b>
<b>EMC shield terminal</b>	for EMC-compliant cable installation	<b>8.0000.4G06.0312</b>
<b>Screw retention Loctite 243 (5 ml)</b>	to secure and ensure the tightness of threaded fastening elements	<b>8.0000.4G05.0000</b>