

# Shaft copying systems

<b>Accessories</b>	<b>LEB.MK</b>	<b>Mounting kit Base</b>
--------------------	---------------	--------------------------



The Base mounting kits includes all the components required for quick and easy installation of the Ants LEB02 sensor and its coded band on the elevator system.

### Order code

<b>8.LEB.MK</b> <small>Type</small>	<b>.XXXX</b> <small>a</small>
--	----------------------------------

**a** *Mounting type*

- 0001 = rail fastening
- 0005 = rail fastening 90°
- 0004 = dowel fastening

(Details, scope of delivery see next page)

*To be ordered separately (see Ants LEB02 data sheet)*

- Sensor Ants LEB02 (8.LEB02.xxxx.xxxx)
- Coded stainless steel band LEX.BA (8.LEX.BA.xxxx)

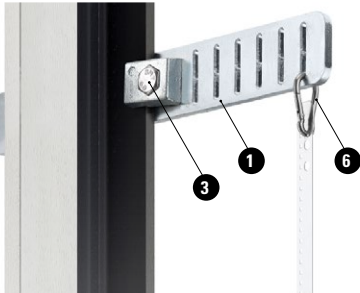
**Stock types**

- 8.LEB.MK.0001**
- 8.LEB.MK.0005**
- 8.LEB.MK.0004**

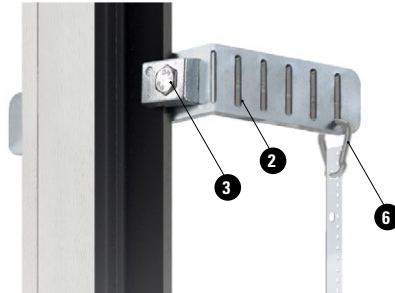
# Shaft copying systems

Accessories	LEB.MK	Mounting kit Base
-------------	--------	-------------------

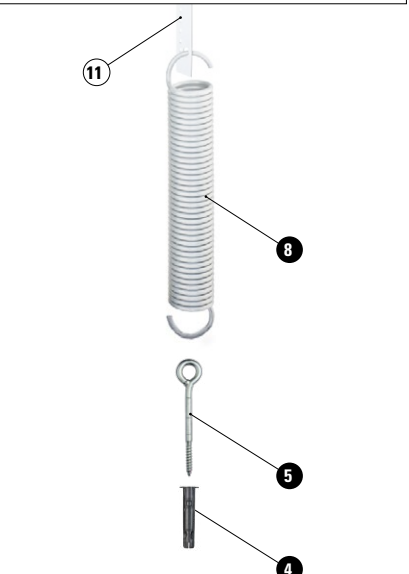
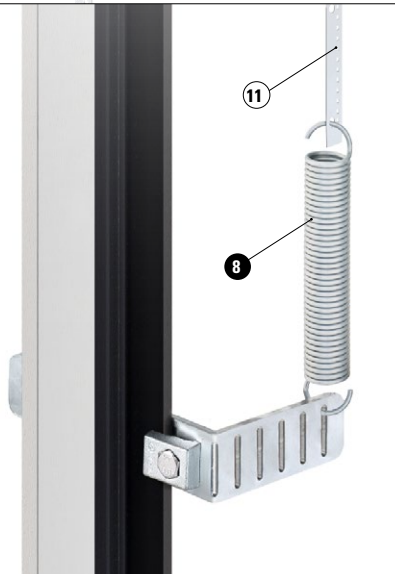
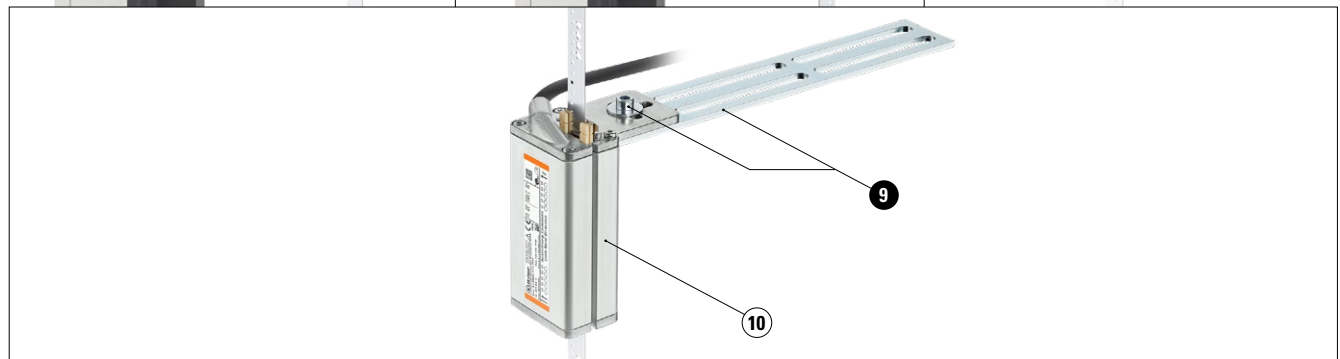
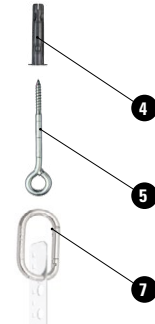
### Rail fastening LEB.MK.0001



### Rail fastening 90° LEB.MK.0005



### Dowel fastening LEB.MK.0004



**Scope of delivery:**

- 1 2 x Rail fastening plates
- 3 4 x Clamping plates with M10x30 hexagon head screws, hexagon nuts, large diameter washers, spring washers
- 6 1 x Carabiners rail fastening
- 8 1 x Tension spring
- 9 1 x Sensor cabin fastening with fastening screw and washer

*To be ordered separately (see Ants LEB02 data sheet):*

- 10 1 x Sensor Ants LEB02
- 11 1 x Coded stainless steel band LEX.BA

**Scope of delivery:**

- 2 2 x Rail fastening plates 90°
- 3 4 x Clamping plates with M10x30 hexagon head screws, hexagon nuts, large diameter washers, spring washers
- 6 1 x Carabiners rail fastening
- 8 1 x Tension spring
- 9 1 x Sensor cabin fastening with fastening screw and washer

*To be ordered separately (see Ants LEB02 data sheet):*

- 10 1 x Sensor Ants LEB02
- 11 1 x Coded stainless steel band LEX.BA

**Scope of delivery:**

- 4 2 x Plastic all-purpose dowel
- 5 2 x Eyebolt
- 7 1 x Carabiners dowel fastening
- 8 1 x Tension spring
- 9 1 x Sensor cabin fastening with fastening screw and washer

*To be ordered separately (see Ants LEB02 data sheet):*

- 10 1 x Sensor Ants LEB02
- 11 1 x Coded stainless steel band LEX.BA

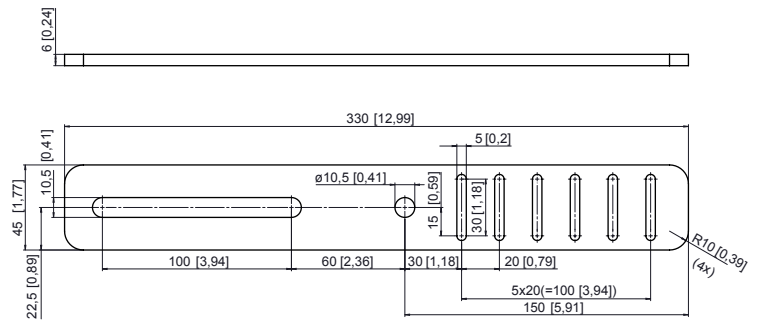
# Shaft copying systems

<b>Accessories</b>	<b>LEB.MK</b>	<b>Mounting kit Base</b>
--------------------	---------------	--------------------------

**Technical data single elements**      Dimensions in mm [inch]

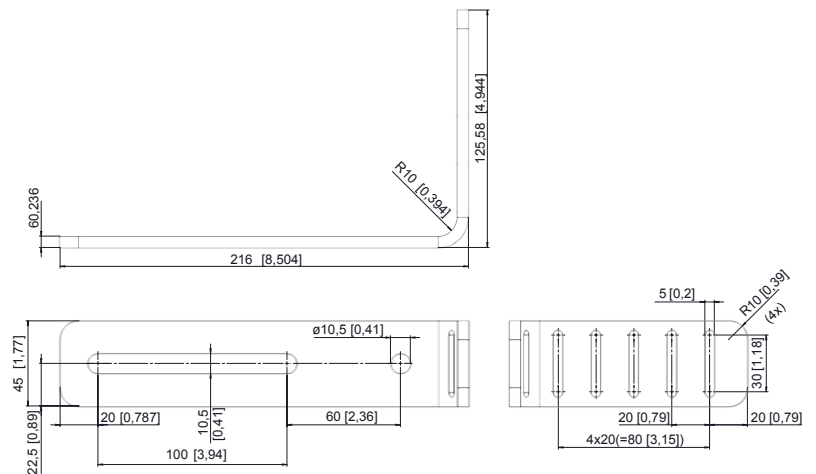
**1 Rail fastening plates**

Material Galvanized steel  
Material thickness 6 mm [0.24"]



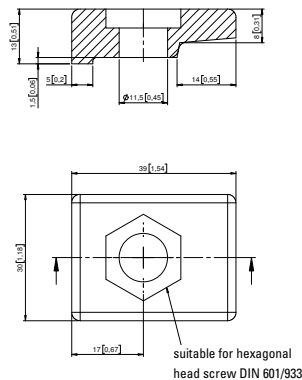
**2 Rail fastening plates 90°**

Material Galvanized steel  
Material thickness 6 mm [0.24"]



**3 Clamping plates**

Material Galvanized steel  
Nominal size M10  
Through hole 11.5  
Permissible force 20 kN  
Permissible force component 10.74 kN  
Clamping surface force 4.68 kN  
Counter surface force 6.06 kN  
Required tightening torque 40 Nm




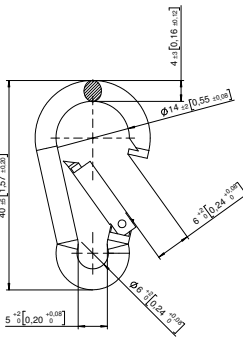
# Shaft copying systems


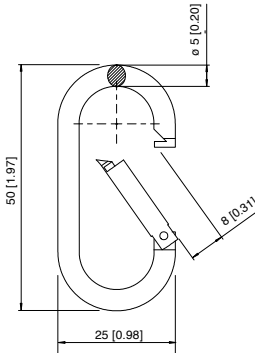
<b>Accessories</b>	<b>LEB.MK</b>	<b>Mounting kit Base</b>
--------------------	---------------	--------------------------

Technische Daten Einzelteile	Maße in mm [inch]
------------------------------	-------------------

<b>4 Plastic all-purpose dowel</b>  	Material	Polyamide
	Diameter [mm]	10
	Length [mm]	56
	Bore diameter [mm]	10
	Bore hole depth [mm]	65
	Max. force [kN]	in concrete: 1,9 In solid brick: 1,4

<b>5 Eybold</b>  	Material	Steel 4.8, blue zinc plated
	Diameter [mm]	8
	Shaft length [mm]	80
	Eye diameter [mm]	22
	Required drill diameter [mm]	10
	Screw-in depth [mm]	50

<b>6 Carabiner rail fastening</b>  		Material	V4A stainless steel
		Dimensions	4 x 22 x 40 mm [0.16 x 0.87 x 1.57"]
		Breaking load	590 kg

<b>7 Carabiner dowel fastening</b>  		Material	Stainless steel AISI 316 / A4
		Dimensions	5 x 25 x 50 mm [0.20 x 0.98 x 1.97"]
		Breaking load	340 kg

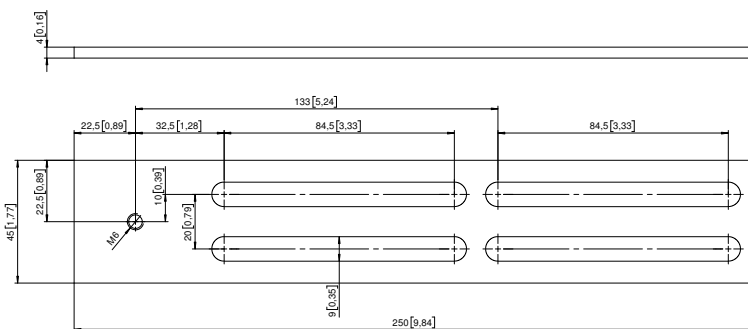
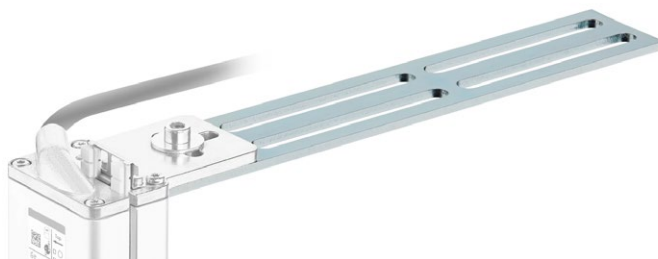
# Shaft copying systems

<b>Accessories</b>	<b>LEB.MK</b>	<b>Mounting kit Base</b>
--------------------	---------------	--------------------------

Technical data single elements	Dimensions in mm [inch]
--------------------------------	-------------------------

<b>8 Tension spring</b> with open eyelets		<b>Material</b> Galvanized spring steel wire strength class SH	Galvanized spring steel wire strength class SH
		<b>Wire diameter</b> External diameter Untensioned length Tensioned length Spring travel External hook diameter Load	3.20 mm [0.13"] 29 mm [1.14"] 170 mm [6.69"] 320 mm [12.60"] 150 mm [5.90"] 29 mm [1.14"] 263.26 N

<b>9 Sensor cabin fastening plate</b>	<b>Material</b> galvanized steel
---------------------------------------	-------------------------------------



Accessories / Spare parts		Order-no.
<b>Carabiner rail fastening</b>	as spare part	<b>8.LEX.ZB.0007</b>
<b>Carabiner dowel fastening</b>	as spare part	<b>8.LEX.ZB.0015</b>
<b>EMC shield terminal</b>	for EMC-compliant cable installation	<b>8.0000.4G06.0312</b>
<b>Screw retention Loctite 243 (5 ml)</b>	to secure and ensure the tightness of threaded fastening elements	<b>8.0000.4G05.0000</b>