

Energy meters

Dual function counters **Energy and time (AC)** **HW66M**



The HW66M combination meter consists of an hour meter and an energy meter.

This panel-mounted device requires only a limited installation depth and can be used in a wide variety of application areas. The count pulses can be read out via the SO output.

MID approved



AC 115...230V Supply voltage	 -20°...+55°C Temperature range	 DIN 48x48 DIN front bezel	 IP65 High protection level	 12345 12345 No reset	 2 x 6 2 x 6 digit	 kWh Energy meter	 Timer
---	---------------------------------------	----------------------------------	-----------------------------------	--------------------------------	--------------------------	-------------------------	-----------

Product features

- Metering of hours run and energy consumption in one compact device – panel mounting.
- Wide temperature range.
- Remote readout via SO outputs on request.
- Shows both values in parallel.
- Easy-to-read display – can also be read if no voltage present.

Benefits

- Tamper-proof fixed installation with high degree of protection.
- High measuring accuracy.
- Can be officially calibrated (MID).

Applications

Dehumidifiers, hire equipment and machinery, air-conditioning, production equipment, current generators.

Order specifications

Type HW66M	Voltage 230 V AC	Order no. 3.56M.201.075 ¹⁾	Delivery includes <ul style="list-style-type: none"> • Counter • Flat gasket • Mounting clip • Instruction manual 	Type plate If the type plate on the side of the HW66M is no longer legible after the installation, the provided additional type plate can be affixed on the front panel of the device in order to comply if necessary with the legal requirements relating to calibration.
----------------------	----------------------------	---	---	--

Accessories

		Type / size	Description		Order no.
Mounting frame			with cut-out 50 x 50 [2.36 x 2.36] via separate adapter also for 45 x 45 [1.77 x 1.77] for snap-on mounting on 35 [1.38] top-hat DIN rail	chromated	G300003
Gasket counter		48 x 48 mm [1.89 x 1.89]			N511018
					incl. in delivery

1) Standard stock model

Energy meters

Dual function counters	Energy and time (AC)	HW66M
-------------------------------	-----------------------------	--------------

Technical data

General technical data		
Supply voltage		230 V AC, -20 % / +15 % 50 Hz
Digits		2 x 6 digit (decimale places red)
Height of figures (optical)		4 x 1.7 mm [0.16 x 0.067"]
Colour of figures		white and red on black
Operating temperature		10 °C ... +55 °C [+14 °F ... +131 °F] (non-condensing)
Storage temperature		-25 °C ... +65 °C [-13 °F ... +149 °F]
Relative humidity at +30 °C [+86 °F]		≤ 80 % (non-condensing)
Altitude		up to 2000 m [6562']
Housing		DIN panel-mount 48 x 48 mm [1.89 x 1.89"]
Depth		55 mm [2.17"]
Protection		IP65, EN 60529 (front side) IP20 (rear side)
Max. core cross-section	inputs/outputs SO output	2.5 mm ² [AWG 13] 2.5 mm ² [AWG 13]
LED function	LED on LED blinks	when supply voltage is connected when energy is being measured

Energy meter	
Display	99999.9 kWh
Accuracy	class B, acc. to MID
Current	I _B = 5 A, I _{max} = 16 A
Current limits	≥ 20 mA up to 16 A
Start current	≥ 20 mA
SO output	1000 pulses/kWh, 5 ... 30 V DC, I _{max} = 20 mA
Pulse duration	50 ms

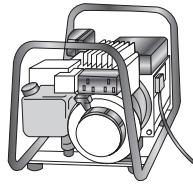
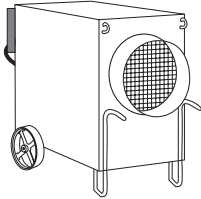
Hour meter	
Display	99999.9 h (0.1 h = 6 min)
Accuracy	± 2 %
SO output	10 imp/h, 5 ... 30 V DC, I _{max} = 20 mA
Pulse duration	50 ms
Start (Operating time)	with voltage applied to L _{in}
This hour meter shall not be used for electricity consumption calculation.	

Approvals		
CE compliant in accordance with		
	EMC Directive	2014/30/EU
	Measuring Instruments Directive	2014/32/EU
	Low Voltage Directive	2014/35/EU
	RoHS Directive	2011/65/EU

Energy meters

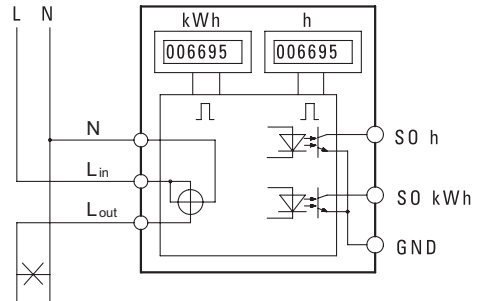
Dual function counters **Energy and time (AC)** **HW66M**

Applications



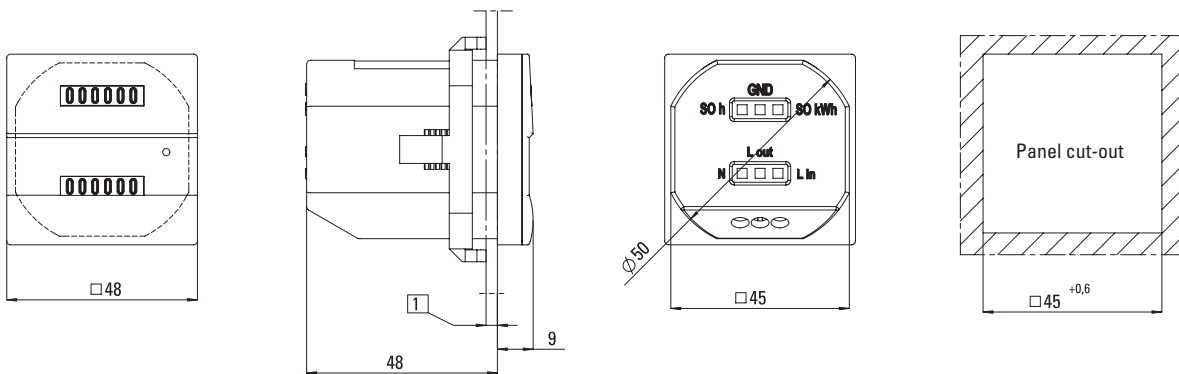
Retro- or standard fitting in dehumidifiers, current generators, air-conditioning, production equipment etc. for the accurate, traceable billing of operating and energy costs – especially also for hire equipment.

Terminal assignment



Dimensions

Dimensions in mm



1 max. 6.5