

# Absolute encoders - singleturn

<b>Compact optical</b>	<b>Sendix F3658 / F3678 (shaft / hollow shaft)</b>	<b>CANopen</b>
------------------------	----------------------------------------------------	----------------



The Sendix F36 singleturn with the patented Intelligent Scan Technology™ and CANopen interface boasts exceptional ruggedness and compact dimensions.

With a size of just 36 x 42 mm it offers a shaft or a blind hollow shaft of up to 10 mm. Its high-precision optical sensor technology can achieve a resolution of up to 16 bits.



Safety-Lock™	Temperature range -40°...+85°C	High protection level IP	High shaft load capacity	Shock / vibration resistant	Magnetic field proof	Short-circuit proof	Reverse polarity protection	Optical sensor	Intelligent Scan Technology™	Surface protection salt spray-tested optional

## Reliable and magnetically insensitive

- Sturdy bearing construction in Safety-Lock™ design for resistance against vibration and installation errors.
- Ideal for use outdoors thanks to IP67 protection and wide temperature range from -40 °C up to +85 °C.
- Patented Intelligent Scan Technology™ with all singleturn and multiturn functions on one single OptoASIC - offering highest reliability, a high resolution up to 16 bits and 100 % magnetic field insensitiveness.

## Up-to-the-minute fieldbus performance

- CANopen with current encoder profile.
- LSS services for configuration of the node address and baud rate.
- Variable PDO mapping in the memory.

<b>Order code</b>	<b>8.F3658</b>	<b>.XX2X</b>	<b>.2112</b>	If for each parameter of an encoder the <b>underlined preferred option</b> is selected, then the delivery time will be 10 working days for a maximum of 10 pieces. Qts. up to 50 pcs. of these types generally have a delivery time of 15 working days.	
<b>Shaft version</b>	Type	a b c d	e		

- a Flange**
- 1 = clamping flange, IP67, ø 36 mm [1.42"]
  - 3 = clamping flange, IP65, ø 36 mm [1.42"]
  - 2 = synchro flange, IP67, ø 36 mm [1.42"]
  - 4 = synchro flange, IP65, ø 36 mm [1.42"]**

- b Shaft (ø x L), with flat**
- 1 = ø 6 x 12.5 mm [0.24 x 0.49"]
  - 3 = ø 8 x 15 mm [0.32 x 0.49"]**
  - 5 = ø 10 x 20 mm [0.39 x 0.79"]
  - 2 = ø 1/4" x 12.5 mm [0.49"]
  - 4 = ø 3/8" x 5/8"

- c Interface / supply voltage**
- 2 = CANopen DS301 V4.02 / 10 ... 30 V DC**

- d Type of connection**
- 1 = tangential cable, 1 m [3.28'] PUR**
  - 3 = tangential cable, 5 m [16.40'] PUR
  - F = tangential cable, special length PUR \*)
- \*) Available special lengths (connection type F):  
2, 3, 8, 10, 15 m [6.56, 9.84, 26.25, 32.80, 49.21']  
order code expansion .XXXX = length in dm  
ex.: 8.F3658.432F.2112.0030 (for cable length 3 m)

- e Fieldbus profile**
- 21 = CANopen**
- Optional on request*  
- surface protection salt spray tested

<b>Order code</b>	<b>8.F3678</b>	<b>.XX2X</b>	<b>.2112</b>	If for each parameter of an encoder the <b>underlined preferred option</b> is selected, then the delivery time will be 10 working days for a maximum of 10 pieces. Qts. up to 50 pcs. of these types generally have a delivery time of 15 working days.	
<b>Hollow shaft</b>	Type	a b c d	e		

- a Flange**
- 1 = with spring element, short, IP65
  - 3 = with spring element, long, IP65
  - 2 = with stator coupling, IP65, ø 46 mm [1.81"]**

- b Blind hollow shaft (insertion depth max. 14.5 mm [0.57"])**
- 5 = ø 6 mm [0.24"]
  - 7 = ø 8 mm [0.32"]
  - 4 = ø 10 mm [0.39"]**
  - 6 = ø 1/4"

- c Interface / supply voltage**
- 2 = CANopen DS301 V4.02 / 10 ... 30 V DC**

- d Type of connection**
- 1 = tangential cable, 1 m [3.28'] PUR**
  - 3 = tangential cable, 5 m [16.40'] PUR
  - F = tangential cable, special length PUR \*)
- \*) Available special lengths (connection type F):  
2, 3, 8, 10, 15 m [6.56, 9.84, 26.25, 32.80, 49.21']  
order code expansion .XXXX = length in dm  
ex.: 8.F3678.242F.2112.0030 (for cable length 3 m)

- e Fieldbus profile**
- 21 = CANopen**
- Optional on request*  
- surface protection salt spray tested

# Absolute encoders - singleturn

<b>Compact optical</b>	<b>Sendix F3658 / F3678 (shaft / hollow shaft)</b>	<b>CANopen</b>
------------------------	----------------------------------------------------	----------------

Mounting accessory for shaft encoders		Order no.
<b>Coupling</b>	Bellows coupling $\varnothing$ 19 mm [0.75"] for shaft 8 mm [0.32"]	<b>8.0000.1102.0808</b>

Mounting accessory for hollow shaft encoders		Dimensions in mm [inch]	Order no.
<b>Torque pin, <math>\varnothing</math> 4 mm</b>	with fixing thread		<b>8.0010.4700.0000</b>
for flange with spring element (flange type 3 + 6)			

Cables and connectors		Order no.
<b>Connectors</b>	M12 male connector with external thread, 5-pin, A coded, straight (metal)	<b>8.0000.5111.0000</b>

Further Kübler accessories can be found at: [kuebler.com/accessories](http://kuebler.com/accessories)  
 Further Kübler cables and connectors can be found at: [kuebler.com/connection-technology](http://kuebler.com/connection-technology)

## Technical data

Mechanical characteristics	
<b>Maximum speed</b>	
shaft version without shaft seal (IP65) or blind hollow shaft version	12000 min <sup>-1</sup>
shaft version with shaft seal (IP67)	10000 min <sup>-1</sup> (continuous) 8000 min <sup>-1</sup> (continuous)
<b>Starting torque at 20 °C [68 °F]</b>	
without shaft seal	< 0.007 Nm
with shaft seal (IP67)	< 0.01 Nm
<b>Shaft load capacity</b>	radial 40 N axial 20 N
<b>Weight</b>	approx. 0.2 kg [7.06 oz]
<b>Protection</b>	housing side IP67 shaft side IP65 (solid shaft version opt. IP67)
<b>Working temperature range</b>	-40 °C ... +85 °C [-40 °F ... +185 °F]
<b>Materials</b>	shaft / hollow shaft stainless steel flange aluminum housing zinc die-cast cable PUR
<b>Shock resistance</b> acc. to EN 60068-2-27	2500 m/s <sup>2</sup> , 6 ms
<b>Vibration resistance</b> acc. to EN 60068-2-6	100 m/s <sup>2</sup> , 55 ... 2000 Hz

Electrical characteristics	
<b>Supply voltage</b>	10 ... 30 V DC
<b>Current consumption (no load)</b>	max. 80 mA
<b>Reverse polarity protection of the supply voltage</b>	ja

Diagnostic LED (two-color, red/green)	
<b>LED ON or blinking</b>	red error display green status display

Interface characteristics CANopen	
<b>Resolution</b>	1 ... 65536 (16 bit), scalable default: 8192 (13 bit)
<b>Interface</b>	CAN high-speed acc. to ISO 11898, Basic- and Full-CAN, CAN specification 2.0 B
<b>Protocol</b>	CANopen profile DS406 V3.2 with manufacturer-specific add-ons, LSS-Service DS305 V2.0
<b>Baud rate</b>	10 ... 1000 kbit/s software configurable
<b>Node address</b>	1 ... 127 software configurable
<b>Termination</b>	software configurable
<b>LSS protocol</b>	CIA LSS protocol DS305, global command support for node address and baud rate, selective commands via attributes of the identity object

Approvals	
<b>UL compliant</b> in accordance with	File no. E224618
<b>CE compliant</b> in accordance with	
EMC Directive	2014/30/EU
RoHS Directive	2011/65/EU

# Absolute encoders - singleturn

<b>Compact optical</b>	<b>Sendix F3658 / F3678 (shaft / hollow shaft)</b>	<b>CANopen</b>
------------------------	----------------------------------------------------	----------------

## General information about CANopen

The CANopen encoders support the latest CANopen communication profile according to DS301 V4.02. In addition, device-specific profiles like the encoder profile DS406 V3.2 and DS305 (LSS) are available.

The following operating modes may be selected: Polled Mode, Cyclic Mode, Sync Mode. Moreover, scale factors, preset values, limit switch values and many other additional parameters can be programmed via the CANbus. When switching the device on, all parameters, which have been saved on a flash memory to protect them against power failure, are loaded again.

The following output values may be combined in a freely variable way as PDO (PDO mapping): **position, speed** as well as the **status of the working area**.

The encoders are available with a connector or a cable connection.

The device address and baud rate can be set/modified by means of the software.

The two-color LED located on the back indicates the operating or fault status of the CAN bus, as well as the status of the internal diagnostics.

## CANopen communication profile DS301 V4.02

Among others, the following functionality is integrated. Class C2 functionality:

- NMT slave.
- Heartbeat protocol.
- Identity object.
- Error behavior object.
- Variable PDO mapping self-start programmable (Power on to operational), 3 sending PDO's.
- Node address, baud rate and CANbus / Programmable termination.

## CANopen encoder profile DS406 V3.2

The following parameters can be programmed:

- Event mode.
- 1 work area with upper and lower limit and the corresponding output states.
- Variable PDO mapping for position, speed, work area status.
- Extended failure management for position sensing.
- User interface with visual display of bus and failure status – 1 LED two colors.
- Customer-specific memory 16 Bytes.
- Customer-specific protocol.
- "Watchdog controlled" device.

## LSS layer setting services DS305 V2.0

- Global command support for node ID and baud rate configuration.
- Selective protocol via identity object (1018h).

## CANbus connection

The CANopen encoders are equipped with a Bus trunk line in various lengths and can be terminated in the device. The devices do not have an integrated T-coupler nor they are looped internally and must therefore only be used as end devices.

If possible, drop lines should be avoided, as in principle they lead to signal reflections. As a rule the reflections caused by the drop lines are not critical, if they have completely decayed before the point in time when the scanning occurs.

The sum of all the drop lines should not, for a particular baud rate, exceed the maximum length Lu.

**Lu** < 5 m [16.40'] cable length for 125 Kbit

**Lu** < 2 m [6.56'] cable length for 250 Kbit

**Lu** < 1 m [3.28'] cable length for 1 Mbit

When used as a drop line, the termination resistor should not be activated.

For a network with 3 encoders and 250 Kbit the maximum length of the drop line/encoder must not exceed 70 cm.

## Terminal assignment

Interface	Type of connection	Cable (isolate unused cores individually before initial start-up)					
2	1, 3, F	Signal:	+V	0 V	CAN_GND	CAN_H	CAN_L
		Core color:	BN	WH	GY	GN	YE

# Absolute encoders - singleturn

**Compact optical**

**Sendix F3658 / F3678 (shaft / hollow shaft)**

**CANopen**

## Dimensions shaft version

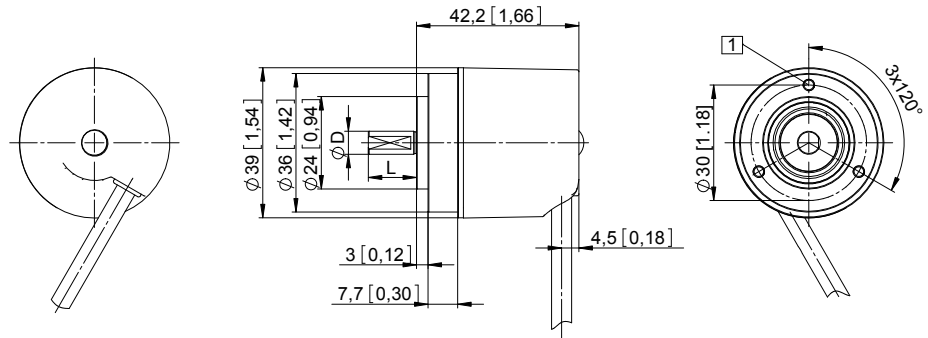
Dimensions in mm [inch]

### Clamping flange, ø 36 [1.42]

#### Flange type 1 and 3

1 3 x M3, 6 [0.24] deep

D	Fit	L
6 [0.24]	h7	12.5 [0.49]
8 [0.32]	h7	15 [0.59]
10 [0.39]	f7	20 [0.79]
1/4"	h7	12.5 [0.49]
3/8"	h7	5/8"

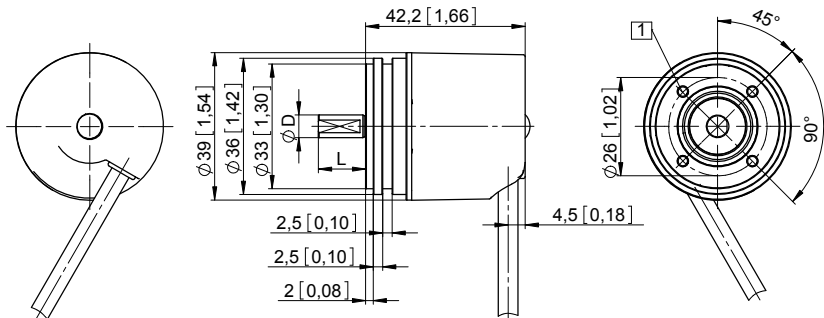


### Synchro flange, ø 36 [1.42]

#### Flange type 2 and 4

1 4 x M3, 6 [0.24] deep

D	Fit	L
6 [0.24]	h7	12.5 [0.49]
8 [0.32]	h7	15 [0.59]
10 [0.39]	f7	20 [0.79]
1/4"	h7	12.5 [0.49]
3/8"	h7	5/8"



# Absolute encoders - singleturn

<b>Compact optical</b>	<b>Sendix F3658 / F3678 (shaft / hollow shaft)</b>	<b>CANopen</b>
------------------------	----------------------------------------------------	----------------

## Dimensions hollow shaft version

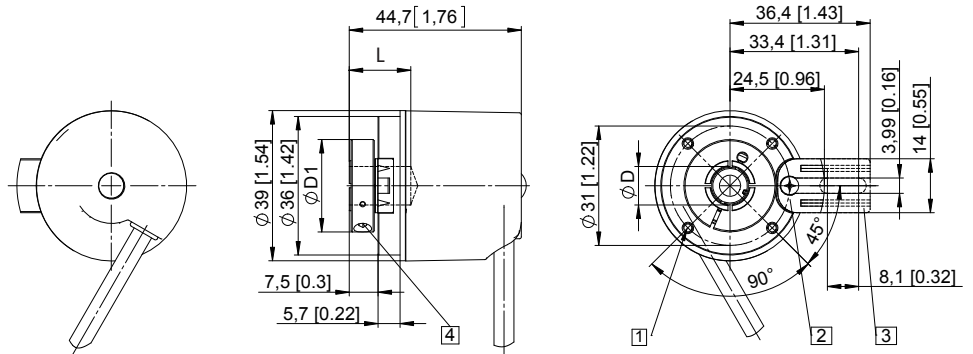
Dimensions in mm [inch]

### Flange with spring element

#### Flange type 1 and 3

(drawing with spring element short, spring element long is shown dashed)

- 1 4 x M2.5, 5 [0.2] deep
- 2 Slot spring element, short recommendation: torque pin DIN 7,  $\phi$  4 [0.16]
- 3 Slot spring element, long recommendation: torque pin DIN 7,  $\phi$  4 [0.16]
- 4 Recommended torque for the clamping ring 0.7 Nm



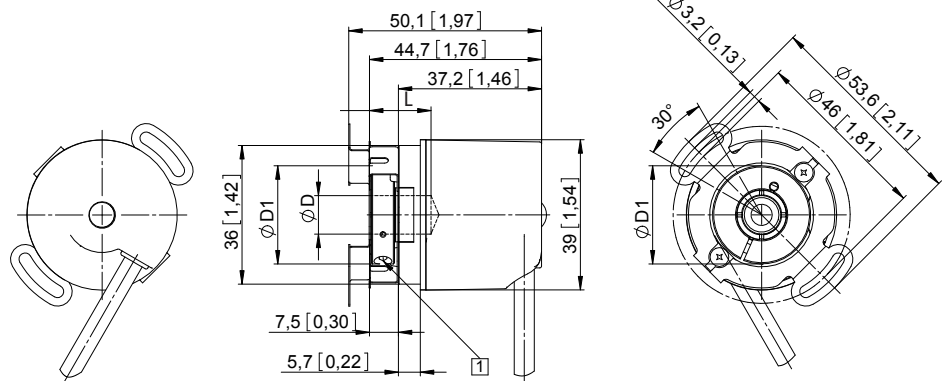
D	Fit	L	D1
6 [0.24]	H7	14.5 [0.57]	24 [0.94]
8 [0.32]	H7	14.5 [0.57]	25.5 [1.00]
10 [0.39]	H7	14.5 [0.57]	25.5 [1.00]
1/4"	H7	14.5 [0.57]	24 [0.94]

L = insertion depth max. blind hollow shaft

### Flange with stator coupling, $\phi$ 46 [1.81"]

#### Flange type 2

- 1 Recommended torque for the clamping ring 0.7 Nm



D	Fit	L	D1
6 [0.24]	H7	14.5 [0.57]	24 [0.94]
8 [0.32]	H7	14.5 [0.57]	25.5 [1.00]
10 [0.39]	H7	14.5 [0.57]	25.5 [1.00]
1/4"	H7	14.5 [0.57]	24 [0.94]

L = insertion depth max. blind hollow shaft