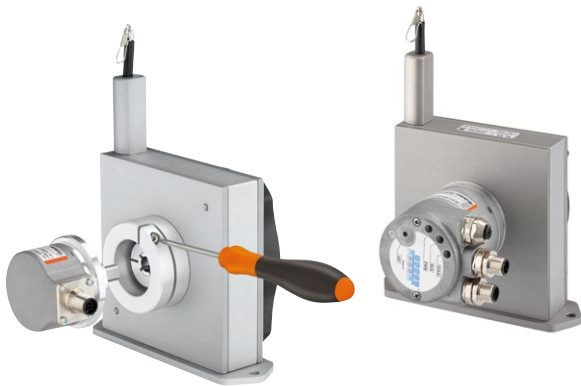


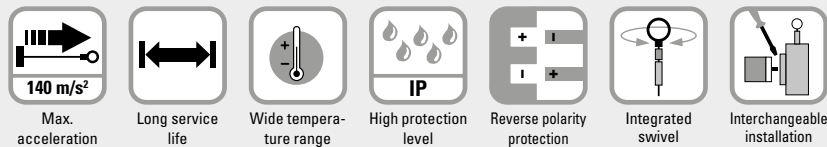
# Linear measuring technology

## Draw-wire encoder C120 Performance-Line Measuring length max. 6 m



These draw-wire mechanics C120 can be used up to a measuring length of 6 meters.

This draw-wire mechanics may be combined with the proven Kübler Sendix encoders with incremental or absolute interface, as well as with analog sensors.



### Robust

- The titanium-anodized aluminum housing and the stainless steel wires allow for using the mechanics even in harsh conditions.
- Wear-free wire exit thanks to special plain bearing guide.
- Various wire types and wire fastenings.

### Versatile

- High traverse speed, up to max. 10 m/s.
- High acceleration, up to max. 140 m/s<sup>2</sup>.
- Quick fastening by means of 2 screws.
- Various connection possibilities available.
- Interchangeable encoders (interchangeable installation).

### Order code with encoder (incremental, absolute)

D8.XC1.XXXX.XXXX.XXXX

- |  |  |  |  |
|--|--|--|--|
| <p><b>a</b> <i>Mechanics</i><br/>2 = interchangeable installation <sup>1)</sup><br/>4 = fixed installation <sup>2)</sup></p> <p><b>b</b> <i>Measuring range</i><br/>0400 = 4000 mm<br/>0500 = 5000 mm<br/>0600 = 6000 mm</p> | <p><b>c</b> <i>Encoder used</i><br/>00 = Sendix 5000, incremental<br/>M3 = Sendix M5863, absolute<br/>F3 = Sendix F5863, absolute<br/>63 = Sendix 5863, absolute<br/>M8 = Sendix M5868, absolute<br/>F8 = Sendix F5868 absolute<br/>68 = Sendix 5868, absolute<br/>S8 = Sendix S5868FS3 absolute <sup>3)</sup></p> | <p><b>d</b> <i>Output circuit</i><br/>depends on the encoder used</p> <p><b>e</b> <i>Type of connection</i><br/>depends on the encoder used</p> <p><b>f</b> <i>Resolution / Protocol / Options</i><br/>depends on the encoder used</p> | <p><i>Optional on request</i></p> <ul style="list-style-type: none"> <li>- Other measuring ranges</li> <li>- Cable diameter 1 mm</li> <li>- Other wire fastening (wire clip = standard): eyelet, M4 thread or carabiner ring</li> <li>- Modified cable and/or connector orientation</li> <li>- Modified cable outlet direction</li> <li>- Sensor protection level IP67</li> <li>- Improved linearity 0.02 %</li> </ul> |
|--|--|--|--|

Standard resolutions for draw-wire with incremental encoder Sendix 5000			
Drum circumference [mm]	317.68	317.68	317.68
Pulses / revolution [ppr]	1000	2000	4000
Pulses / mm	3.1	6.3	12.6
Resolution [mm]	0.32	0.16	0.08

Standard resolutions for draw-wire with absolute encoder Sendix M5863 (12 bit ST) or M5868 (12 bit ST, programmable via bus)	
Drum circumference [mm]	317.68
Pulses / revolution [ppr]	4096
Pulses / mm	12.9
Resolution [mm]	0.08

1) Draw-wire mechanics with standard flange. The encoder can be replaced by the customer.  
2) The encoder can only be replaced at the factory.  
3) The complete system of draw-wire mechanism + encoder is not SIL3 certified.

## Draw-wire encoder C120

## Performance-Line

## Measuring length max. 6 m

### Recommended standard variants (with incremental, absolute encoder)

Order no. draw-wire encoder	Mounted encoder	Interface	Power supply	Type of connection	Resolution / Protocol	Option
D8.xC1.xxxx.0054.2000	Sendix 5000 (8.5000.8354.2000)	Push-pull with inverted signal	10 ... 30 V DC	1 x radial M12 connector	2000 ppr	-
D8.xC1.xxxx.M324.G222	Sendix M5863 (8.M5863.3524.G222)	SSI	10 ... 30 V DC	1 x radial M12 connector	4096 ppr / SSI-Gray-Code	-
D8.xC1.xxxx.M824.2122	Sendix M5868 (8.M5868.3524.2122)	CANopen	10 ... 30 V DC	1 x radial M12 connector	CANopen encoderprofil DS406 V4.0	-

### Other variants (with absolute encoder)

Order no. draw-wire encoder	Mounted encoder	Interface	Power supply	Type of connection	Resolution / Protocol	Option
D8.xC1.xxxx.F326.G223	Sendix F5863 (8.F5863.1226.G223)	SSI	10 ... 30 V DC	1 x radial M12 connector	4096 ppr / SSI-Gray-Code	SET button + status LED
D8.xC1.xxxx.6326.G223	Sendix 5863 (8.5863.1226.G223)	SSI	10 ... 30 V DC	1 x radial M12 connector	4096 ppr / SSI-Gray-Code	SET button + status LED
D8.xC1.xxxx.F82E.2123	Sendix F5868 (8.F5868.122E.2123)	CANopen	10 ... 30 V DC	1 x radial M12 connector	CANopen encoder profile DS406 V3.2	SET button
D8.xC1.xxxx.6822.2123	Sendix 5868 (8.5868.1222.2123)	CANopen	10 ... 30 V DC	2 x radial M12 connector	CANopen encoder profile DS406 V3.2	SET button
D8.xC1.xxxx.M834.3222	Sendix M5868 (8.M5868.3534.3222)	SAE J1939	10 ... 30 V DC	1 x radial M12 connector	SAE J1939	-
D8.xC1.xxxx.M844.4122	Sendix M5868 (8.M5868.3544.4122)	IO-Link	18 ... 30 V DC	1 x radial M12 connector	IO-Link	-
D8.xC1.xxxx.6832.3113	Sendix 5868 (8.5868.1232.3113)	PROFIBUS	10 ... 30 V DC	3 x radial M12 connector	Profibus-DP V0 encoder profile Class 2	SET button
D8.xC1.xxxx.68B2.B212	Sendix 5868 (8.5868.12B2.B212)	EtherCAT	10 ... 30 V DC	3 x radial M12 connector	EtherCAT with CoE 3.2.10	-
D8.xC1.xxxx.F8CN.C122	Sendix F5868 (8.F5868.12CN.C122)	PROFINET IO	10 ... 30 V DC	3 x axial M12 connector	PROFINET encoder profile version 4.2	-
D8.xC1.xxxx.F8AN.A222	Sendix F5868 (8.F5868.12AN.A222)	EtherNet/IP	10 ... 30 V DC	3 x axial M12 connector	EtherNet/IP	-
D8.xC1.xxxx.S8CN.C111	Sendix S5868 (8.S5868FS3.12CN.C111)	PROFINET IO	10 ... 30 V DC	3 x axial M12 connector	PROFINET IO / PROFIsafe (The complete system of draw-wire mechanism + encoder is not SIL3 certified)	-

### Order code with encoder (analog, scalable with limit switch function)

D8.XC1.XXXX.M1XX.XXXX

a b c d e f

#### a Mechanics

2 = interchangeable installation <sup>1)</sup>  
4 = fixed installation <sup>2)</sup>

#### b Measuring range

0400 = 4000 mm  
0500 = 5000 mm  
0600 = 6000 mm

#### c Encoder used

M1 = Sendix M5861, absolute <sup>3)</sup>

#### d Output circuit

depends on the encoder used

#### e Type of connection

depends on the encoder used

#### f Resolution / Protocol / Options

depends on the encoder used

#### Optional on request

- Other measuring ranges
- Cable diameter 1 mm
- Other wire fastening (wire clip = standard):  
M4 thread, eyelet or carabiner ring
- Modified cable and/or connector orientation
- Modified cable outlet direction
- Sensor protection level IP67

### Recommended standard variants (with encoder analog, scalable with limit switch function)

Order no. draw-wire encoder	Mounted encoder	Interface	Power supply	Type of connection	Resolution / Protocol	Option
D8.xC1.xxxx.M134.3612	Sendix M5861 (8.M5861.3534.3612)	Analog, 4 ... 20 mA	10 ... 30 V DC	radial M12 connector	12 Bit / 4 ... 20 mA	scalable without limit switch function <sup>4)</sup>
D8.xC1.xxxx.M144.4612	Sendix M5861 (8.M5861.3544.4612)	Analog, 0 ... 10 V	15 ... 30 V DC	radial M12 connector	12 Bit / 0 ... 10 V	scalable without limit switch function <sup>4)</sup>
D8.xC1.xxxx.M134.3512	Sendix M5861 (8.M5861.3534.3512)	Analog, 4 ... 20 mA	10 ... 30 V DC	radial M12 connector	12 Bit / 4 ... 20 mA	scalable with limit switch function <sup>5)</sup>
D8.xC1.xxxx.M144.4512	Sendix M5861 (8.M5861.3544.4512)	Analog, 0 ... 10 V	15 ... 30 V DC	radial M12 connector	12 Bit / 0 ... 10 V	scalable with limit switch function <sup>5)</sup>

1) Draw-wire mechanics with standard flange. The encoder can be replaced by the customer.

2) The encoder can only be replaced at the factory.

3) With ccw option.

4) Delivery condition: scaled to measuring range.

Description for scaling and limit switch function see data sheet M5861.

5) Delivery condition: unscaled.

Description for scaling and limit switch function see data sheet M5861.



# Linear measuring technology

<b>Draw-wire encoder C120</b>	<b>Performance-Line</b>	<b>Measuring length max. 6 m</b>
-------------------------------	-------------------------	----------------------------------

## Technical data

Mechanical characteristics (draw-wire mechanics)	
<b>Measuring range</b>	6000 mm
<b>Extension force</b>	$F_{min}$ 8.8 N $F_{max}$ 12.3 N
<b>Speed max.</b>	10 m/s
<b>Acceleration max.</b>	140 m/s <sup>2</sup>
<b>Linearity</b> (of the measuring range)	
with analog sensor	±0.10 %
with encoder	±0.05 % ±0.02 % <sup>1)</sup>
<b>Weight</b>	approx. 1600 g [56.44 oz] (depending on the sensor/encoder used)
<b>Material</b>	housing titanium-anodized aluminum wire stainless steel ø 0.5 mm ø 1 mm can be supplied as a special up to measuring range 3000 mm (other wire types on request)
<b>Protection</b> acc. to EN 60529	IP65 (sensor)

Electrical characteristics (digital output)
The electrical characteristics of the draw-wire mechanics with digital output can be found in the data sheets of the encoders

Approvals
<b>CE compliant</b> in accordance with
EMC Directive 2014/30/EU
RoHS Directive 2011/65/EU

Electrical characteristics (analog sensor, scaled to measuring range)			
Version	A22	A11	A33
<b>Analog output</b>	0 ... 10 V	4 ... 20 mA	potentiometer
<b>Output</b>	0 ... 10 V / galv. isolated, 4 conductors	4 ... 20 mA / 2 conductors	1 kΩ
<b>Supply voltage</b>	12 ... 30 V DC	12 ... 30 V DC	max. 30 V DC
<b>Recommended slider current</b>	–	–	< 1 μA
<b>Max. current consumption</b>	22.5 mA (no load)	50 mA	–
<b>Reverse polarity protection</b>	yes	yes	–
<b>Working temperature</b>	-20 °C ... +85 °C [-4 °F ... +185 °F] -40 °C ... +85 °C [-40 °F ... +185 °F] <sup>2)</sup>	-20 °C ... +85 °C [-4 °F ... +185 °F] -40 °C ... +85 °C [-40 °F ... +185 °F] <sup>2)</sup>	-20 °C ... +85 °C [-4 °F ... +185 °F] -40 °C ... +85 °C [-40 °F ... +185 °F] <sup>2)</sup> -20 °C ... +120 °C [-4 °F ... +248 °F] <sup>2)</sup>

1) On request for encoder version (see order code **ⓐ**):  
**00** in combination with interchangeable installation (order code **ⓐ** = 2) or fixed installation (order code **ⓐ** = 4)  
**F3, F3, F8, F8** in combination with interchangeable installation (order code **ⓐ** = 2)  
 2) Optional on request.

# Linear measuring technology

<b>Draw-wire encoder C120</b>	<b>Performance-Line</b>	<b>Measuring length max. 6 m</b>
-------------------------------	-------------------------	----------------------------------

## Terminal assignment (analog sensor)

Analog sensor <b>A11</b> (4 ... 20 mA)			R/I converter					
			Signal:	+V	n.c.	I <sub>out</sub>		n.c.
			Cable <sup>1)</sup>	Core color:	BN	WH		BU
	M12 connector, 4-pin	Pin:	1	2	3	4		

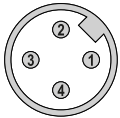
  

Analog sensor <b>A22</b> (0 ... 10 V DC)			R/U converter					
			Signal:	+V	U <sub>out</sub>	0 V		0 V <sub>out</sub>
			Cable <sup>1)</sup>	Core color:	BN	WH		BU
	M12 connector, 4-pin	Pin:	1	2	3	4		

Analog sensor <b>A33</b> (Potentiometer 1 kΩ)			Potentiometer					
			Signal:	+V	Out	0 V		n.c.
			Cable <sup>1)</sup>	Core color:	BN	WH		BU
	M12 connector, 4-pin	Pin:	1	2	3	4		

## Top view of mating side, male contact base



M12 connector, 4-pin

1) Isolate unused cores individually before initial start-up.

# Linear measuring technology

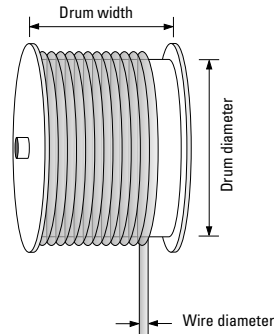
<b>Draw-wire encoder C120</b>	<b>Performance-Line</b>	<b>Measuring length max. 6 m</b>
-------------------------------	-------------------------	----------------------------------

## Technology in detail

### Operating principle

#### Construction

The core of a draw-wire device is a drum mounted on bearings, onto which a wire is wound. Winding takes place via a spring-loaded device.



#### Note

Exceeding the maximum extension length of the draw-wire will lead to damage to the wire and the mechanics.

### Wire fastenings

**Clip**  
D8.xx**1**.xxxx.xxxx



**M4 thread**  
D8.xx**A**.xxxx.xxxx



**Eyelet**  
D8.xx**J**.xxxx.xxxx



**Carabiner ring**  
D8.xx**M**.xxxx.xxxx



ball-bearing swivel  
(no torsion of the measuring wire during installation)

rubber stopper

measuring wire

### Wire types

- V2A,  $\varnothing$  0.5 mm (standard)

Optional on request:

- V4A,  $\varnothing$  0.51 mm

- Coramid,  $\varnothing$  0.6 mm

- V4A plastic coated, 1.0 mm (V4A =  $\varnothing$  0.81 mm)



### Extension wire

For optimum use of the measuring range by extending the wire length, e. g. to allow realizing a pre-extension in the application. Especially combined with analog interfaces.



**Draw-wire encoder C120**    **Performance-Line**    **Measuring length max. 6 m**

**Technology in detail**

**Application-specific installation possibilities**

guide pulley

guide pulley

**Interchangeable installation**

Easy adjustment of the connector or cable orientation. Exchange of individual components possible.

Requirements for encoders:

- clamping flange  $\varnothing$  58 mm
- shaft 10 x 20 mm

**Individual wire outlet**

wire outlet at the top 0°  
D8.xx**1**.xxxx.xxxx.xxxx

wire outlet right 90°  
D8.xx**C**.xxxx.xxxx.xxxx

wire outlet left 270°  
D8.xx**D**.xxxx.xxxx.xxxx

wire outlet below 180°  
D8.xx**E**.xxxx.xxxx.xxxx

**Individual cable / connector orientation**  
on request

## Draw-wire encoder C120

Performance-Line

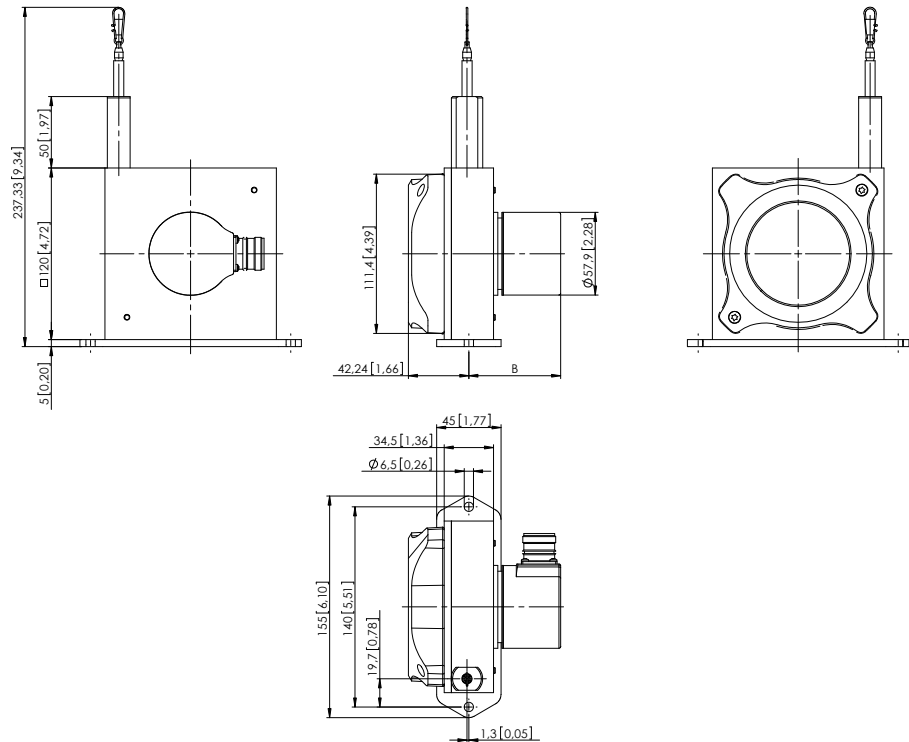
Measuring length max. 6 m

### Dimensions

Dimensions in mm [inch]

#### Draw-wire mechanics with encoder Fixed installation

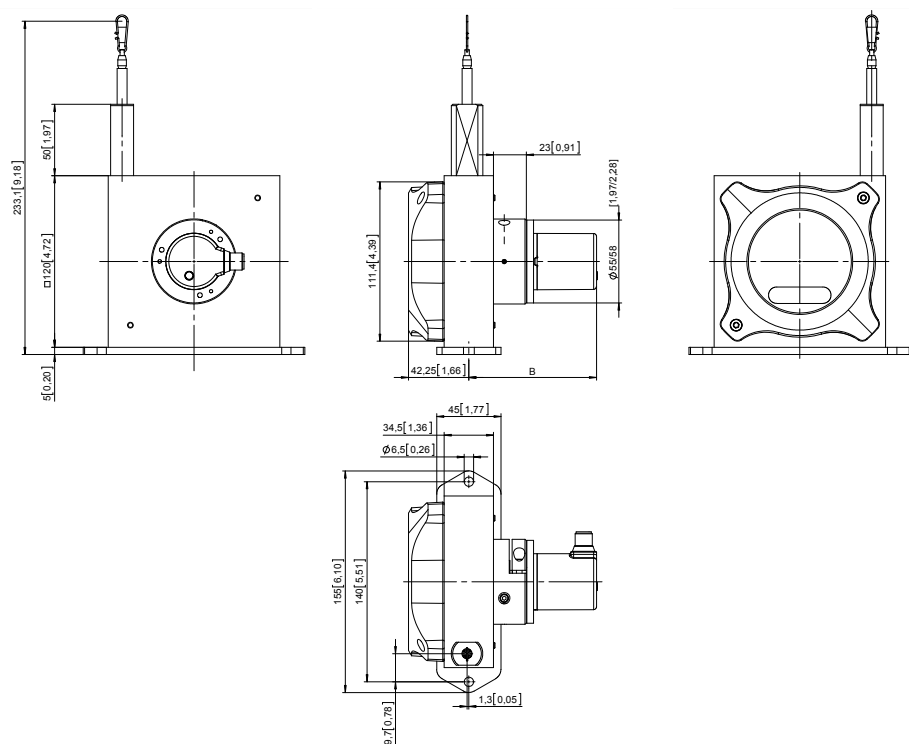
Dimension B depends on the encoder used	
Encoder	B
Sendix incremental (5000) D8.4C1.xxxx.00xx.xxxx	54.25 [2.14]
Sendix absolute (F5863) D8.4C1.xxxx.F3xx.xxxx	66.75 [2.63]
Sendix absolute (5863) D8.4C1.xxxx.63xx.xxxx	66.75 [2.63]
Sendix absolute (F5868, CANopen) D8.4C1.xxxx.F8xx.21xx	88.25 [3.47]
Sendix absolute (F5868, EtherNet/IP) D8.4C1.xxxx.F8xx.A2xx	76.75 [3.02]
Sendix absolute (5868) D8.4C1.xxxx.68xx.xxxx	67.35 [2.65]
Sendix absolute (M586x) D8.4C1.xxxx.Mxxx.xxxx	67.05 [2.64]



#### Draw-wire mechanics with encoder

#### Interchangeable installation, clamping flange

Dimension B depends on the encoder used	
Encoder	B
Sendix incremental (5000) D8.2C1.xxxx.00xx.xxxx	77.25 [3.04]
Sendix absolute (F5863) D8.2C1.xxxx.F3xx.xxxx	89.75 [3.53]
Sendix absolute (5863) D8.2C1.xxxx.63xx.xxxx	89.75 [3.53]
Sendix absolute (F5868, CANopen) D8.2C1.xxxx.F8xx.21xx	111.25 [4.38]
Sendix absolute (F5868, EtherNet/IP) D8.2C1.xxxx.F8xx.A2xx	99.75 [1.69]
Sendix absolute (5868) D8.2C1.xxxx.68xx.xxxx	90.35 [3.93]
Sendix absolute (M586x) D8.2C1.xxxx.Mxxx.xxxx	90.05 [3.54]



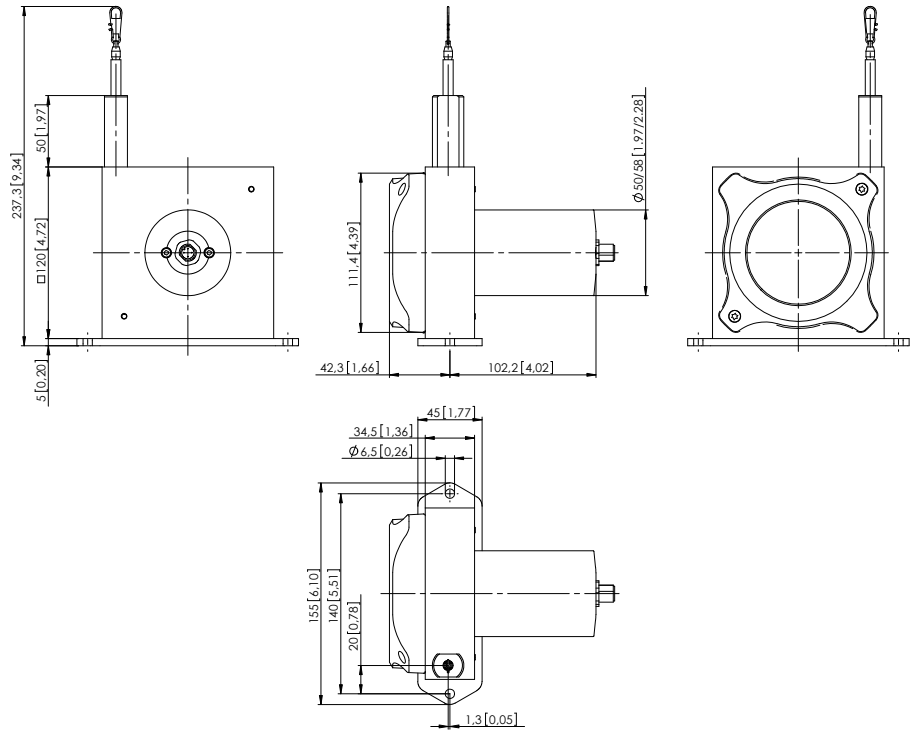


**Draw-wire encoder C120**      **Performance-Line**      **Measuring length max. 6 m**

## Dimensions

Dimensions in mm [inch]

**Draw-wire mechanics with analog sensor**  
(scaled on measuring range)



## Wire fastenings

