

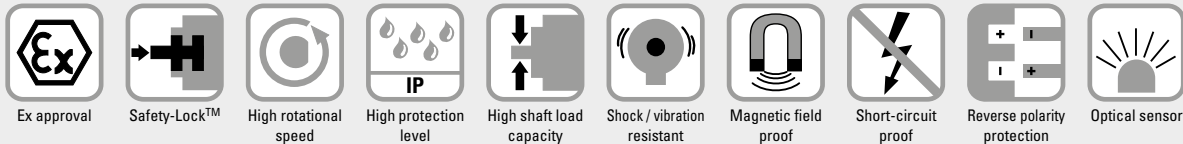
Absolute encoders - singleturn

Standard, ATEX/IECEX – mining M2 optical	Sendix 7158 / 7178 (shaft / hollow shaft)	CANopen
---	--	----------------



The Sendix 7158 / 7178 absolute singleturn encoders in a compact 70 mm stainless-steel housing, with a CANopen interface and optical sensor technology have an ATEX/IECEX mining M2 approval.

These shock and vibration-resistant encoders operate flexibly with a resolution of up to 16 bits; they are also available with axial and radial cable outlets.



Compact and safe

- Can be used even when space is tight.
- Minimal installation depth, diameter 70 mm.
- Compact cable outlet axial or radial.
- Remains sealed even in harsh everyday use and ensures highest safety against field breakdowns (IP67 protection).

Explosion protection

- Mining M2 approval.
- “Flame-proof enclosure” construction.
- ATEX with EU type examination certificate.
- IECEx with certificate of conformity (CoC).

Order code	8.7158	. 2 X 2 X . 21 11 . XXXX
Shaft version	Type	Type
a Flange	2 = clamping / synchronous flange, ø 70 mm [2.76"]	d Type of connection
b Shaft (ø x L)	2 = 10 x 20 mm [0.39 x 0.79"], with flat 1 = 12 x 25 mm [0.47 x 0.98"], with keyway for 4 x 4 mm [0.16 x 0.16"] key	1 = axial cable, 2 m [6.56'] PUR 2 = radial cable, 2 m [6.56'] PUR A = axial cable, length > 2 m [6.56'] B = radial cable, length > 2 m [6.56']
c Interface / supply voltage	2 = CANopen DS301 V4.02 / 10 ... 30 V DC	e Fieldbus profile
		21 = CANopen
		f Cable length in dm ¹⁾
		0050 = 5 m [16.40'] 0100 = 10 m [32.81'] 0150 = 15 m [49.21']
		<i>Optional on request - special cable length</i>

Order code	8.7178	. XX 2 X . 21 11 . XXXX
Hollow shaft	Type	Type
a Flange	2 = with spring element, short 6 = with stator coupling, ø 65 mm [2.56"]	d Type of connection
b Blind hollow shaft (insertion depth max. 41.5 mm [1.63"])	1 = ø 12 mm [0.47"] 2 = ø 14 mm [0.55"]	1 = axial cable, 2 m [6.56'] PUR 2 = radial cable, 2 m [6.56'] PUR A = axial cable, length > 2 m [6.56'] B = radial cable, length > 2 m [6.56']
c Interface / supply voltage	2 = CANopen DS301 V4.02 / 10 ... 30 V DC	e Fieldbus profile
		21 = CANopen
		f Cable length in dm ¹⁾
		0050 = 5 m [16.40'] 0100 = 10 m [32.81'] 0150 = 15 m [49.21']
		<i>Optional on request - special cable length</i>

1) Not applicable with connection types 1 and 2.

Absolute encoders - singleturn

Standard, ATEX/IECEX – mining M2 optical	Sendix 7158 / 7178 (shaft / hollow shaft)	CANopen
---	--	----------------

Technical data

Explosion protection

ATEX									
EU type-examination certificate	IBExU 15 ATEX 1057 X								
Category	<table border="0"> <tr> <td>Sendix 7158 – 6000 rpm</td> <td>⊕ I M2 Ex db I/IIC T4 Mb</td> </tr> <tr> <td>Sendix 7158 – 2000 rpm</td> <td>⊕ I M2 Ex db I/IIC T5 Mb</td> </tr> <tr> <td>Sendix 7178 – 3000 rpm</td> <td>⊕ I M2 Ex db I/IIC T4 Mb</td> </tr> <tr> <td>Sendix 7178 – 2000 rpm</td> <td>⊕ I M2 Ex db I/IIC 120°C (T4) Mb</td> </tr> </table>	Sendix 7158 – 6000 rpm	⊕ I M2 Ex db I/IIC T4 Mb	Sendix 7158 – 2000 rpm	⊕ I M2 Ex db I/IIC T5 Mb	Sendix 7178 – 3000 rpm	⊕ I M2 Ex db I/IIC T4 Mb	Sendix 7178 – 2000 rpm	⊕ I M2 Ex db I/IIC 120°C (T4) Mb
Sendix 7158 – 6000 rpm	⊕ I M2 Ex db I/IIC T4 Mb								
Sendix 7158 – 2000 rpm	⊕ I M2 Ex db I/IIC T5 Mb								
Sendix 7178 – 3000 rpm	⊕ I M2 Ex db I/IIC T4 Mb								
Sendix 7178 – 2000 rpm	⊕ I M2 Ex db I/IIC 120°C (T4) Mb								
Relevant standards	EN 60079-0:2018								
ATEX guideline 2014/34/EU	EN 60079-1:2014								
IECEX									
Certificate of Conformity (CoC)	IECEX IBE 15.0019 X								
Category	<table border="0"> <tr> <td>Sendix 7158 – 6000 rpm</td> <td>Ex db I/IIC T4 Mb</td> </tr> <tr> <td>Sendix 7158 – 2000 rpm</td> <td>Ex db I/IIC T5 Mb</td> </tr> <tr> <td>Sendix 7178 – 3000 rpm</td> <td>Ex db I/IIC T4 Mb</td> </tr> <tr> <td>Sendix 7178 – 2000 rpm</td> <td>Ex db I/IIC 120°C (T4) Mb</td> </tr> </table>	Sendix 7158 – 6000 rpm	Ex db I/IIC T4 Mb	Sendix 7158 – 2000 rpm	Ex db I/IIC T5 Mb	Sendix 7178 – 3000 rpm	Ex db I/IIC T4 Mb	Sendix 7178 – 2000 rpm	Ex db I/IIC 120°C (T4) Mb
Sendix 7158 – 6000 rpm	Ex db I/IIC T4 Mb								
Sendix 7158 – 2000 rpm	Ex db I/IIC T5 Mb								
Sendix 7178 – 3000 rpm	Ex db I/IIC T4 Mb								
Sendix 7178 – 2000 rpm	Ex db I/IIC 120°C (T4) Mb								
Relevant standards	IEC 60079-0:2017								
	IEC 60079-1:2014								

EMC

Relevant standards	EN 55011 class B
	EN (IEC) 61326-1

Approvals

CE compliant in accordance with	
EMC Directive	2014/30/EU
RoHS Directive	2011/65/EU
ATEX Directive	2014/34/EU

Electrical characteristics

Supply voltage	10 ... 30 V DC
Current consumption (no load)	max. 90 mA
Reverse polarity protection for supply voltage	yes

Mechanical characteristics

Maximum speed	shaft	6000 min ⁻¹ (continuous)
	hollow shaft	3000 min ⁻¹ (continuous)
Starting torque – at 20 °C [68 °F]		< 0.05 Nm
Mass moment of inertia		4.0 x 10 ⁻⁶ kgm ²
Load capacity of shaft	radial	80 N
	axial	40 N
Weight		approx. 2.8 kg [98.77 oz]
Protection acc. to EN 60529		IP67
Ambient temperature		-40 °C ... +60 °C [-4 °F ... +140 °F] Please note the specifications for temperature class in EU type-examination certificate!
Material	shaft	stainless steel
	flange / housing	stainless steel
	cable	PUR
Shock resistance	acc. to EN/IEC 60068-2-27	1000 m/s ² , 6 ms
Vibration resistance	acc. to EN/IEC 60068-2-6	100 m/s ² , 55 ... 2000 Hz

Absolute encoders - singleturn

Standard, ATEX/IECEX – mining M2 optical	Sendix 7158 / 7178 (shaft / hollow shaft)	CANopen
---	--	----------------

Interface characteristics CANopen	
Resolution	1 ... 65536 (16 bit), scalable default: 8192 (13 bit)
Interface	CAN high-speed acc. to ISO 11898, Basic- and Full-CAN, CAN specification 2.0 B
Protocol	CANopen profile DS406 V3.2 with manufacturer-specific add-ons
Baud rate	10 ... 1000 kbit/s software configurable
Node address	1 ... 127 software configurable
Switchable termination	software configurable

General information about CANopen

The CANopen encoders support the latest CANopen communication profile according to DS301 V4.02 .

In addition, device-specific profiles like the encoder profile DS406 V3.2 are available.

The following operating modes may be selected: Polled Mode, Cyclic Mode, Sync Mode and a High Resolution Sync Protocol. Moreover, scale factors, preset values, limit switch values and many other additional parameters can be programmed via the CANbus. When switching the device on, all parameters are loaded from an EEPROM, where they were saved previously to protect them against power-failure.

As output values **position**, **speed**, **acceleration** as well as the **working area status** may be combined freely as PDO (PDO mapping)

CANopen communication profile DS301 V4.02

Among others, the following functionality is integrated:

Class C2 functionality

- NMT slave.
- Heartbeat protocol.
- High resolution sync protocol.
- Identity object.
- Error behavior object.
- Variable PDO mapping self-start programmable (power on to operational), 3 Sending PDO's.
- Node address, baud rate and CANbus termination programmable.

CANopen encoder profile DS406 V3.2

The following parameters can be programmed:

- Event mode.
- Units for speed selectable (steps/sec or min⁻¹).
- Factor for speed calculation (e.g. measuring wheel circumference)
- Integration time for speed value of 1...32.
- 2 work areas with 2 upper and lower limits and the corresponding output states.
- Variable PDO mapping of position, speed, acceleration, working area status.
- Extended failure management for position sensing with integrated temperature control.
- User interface with visual display of bus and failure status - 3 LED's.
- Optional - 32 CAMs programmable.
- Customer-specific memory - 16 Bytes.

Terminal assignment

Interface	Type of connection	Cable (isolate unused cores individually before initial start-up)								
		Signal:	0 V	+V	CAN_H	CAN_L	CAN_GND	CAN_H	CAN_L	CAN_GND
2	1, 2, A, B	Core marking:	1	2	4	5	6	7	8	9

Absolute encoders - singleturn

**Standard, ATEX/IECEX – mining M2
optical**

Sendix 7158 / 7178 (shaft / hollow shaft)

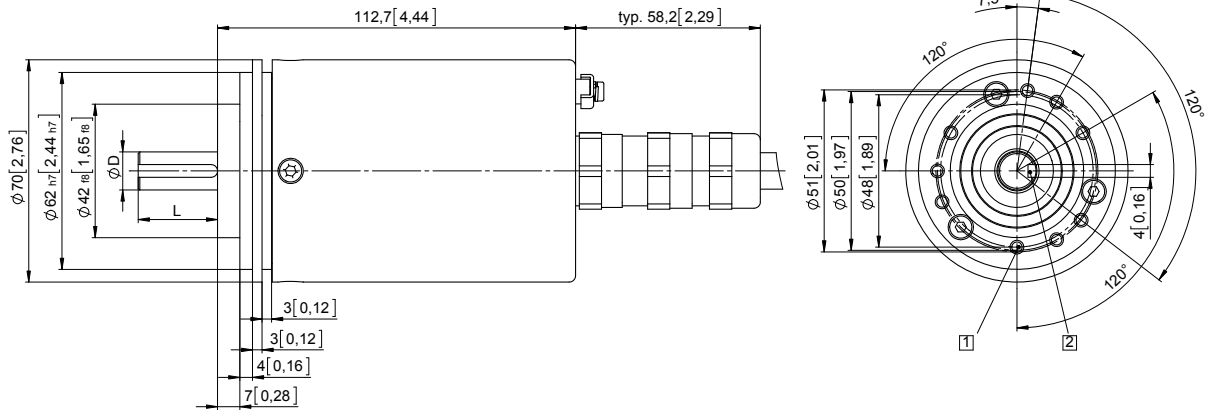
CANopen

Dimensions shaft version

Dimensions in mm [inch]

Clamping / synchronous flange, \varnothing 70 [2.76]
Shaft type 1 with axial cable outlet

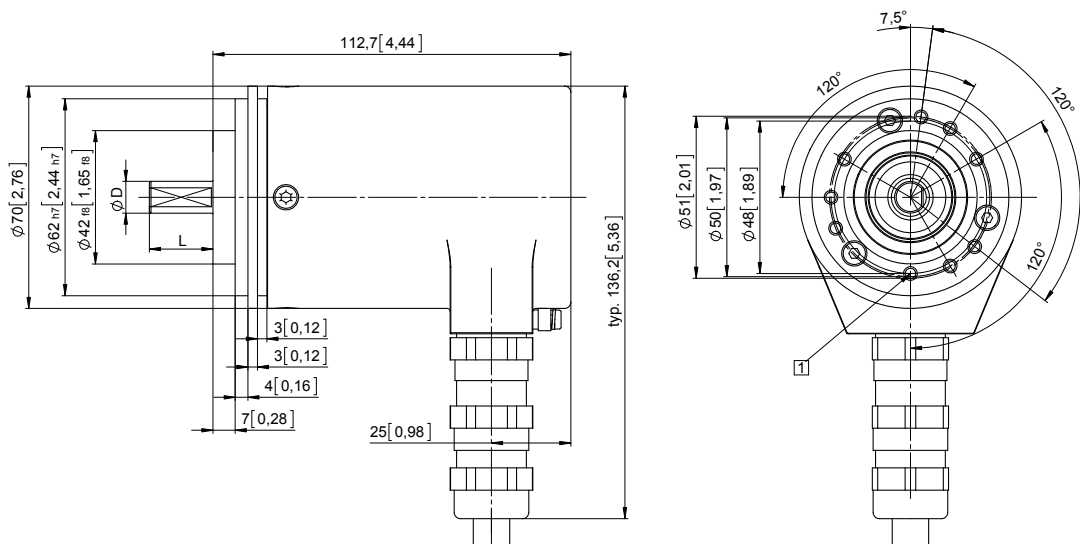
- 1 9 x M4, 10 [0.39] deep
- 2 Keyway for DIN 6885-A-4x4x25 key



D	Fit	L
12 [0.47]	g6	25 [0.98]

Clamping / synchronous flange, \varnothing 70 [2.76]
Shaft type 2 with radial cable outlet

- 1 9 x M4, 10 [0.39] deep



D	Fit	L
10 [0.39]	f7	20 [0.79]

