

LED process displays **Standard signals with Min / Max value detection, totalizer** **Codix 534**



Cost-effective standard signal display for front panel mount with scalable bright 5-digit LED display.

The 14 bit resolution ensures an accurate measuring value display range with minimum and maximum value detection and scalable totalizer for time-controlled summation of the measured value.



DC 10 ... 30 V Supply voltage	 mA, V Display scaling	 14 bit Resolution	 Menu-driven programming	 AC/DC Galvanic isolation	 -20°... +65°C Temperature range	 IP65 High protection level	 min / max Min / Max value detection	 DIN 48x24 DIN front bezel	 5 LEDs LED display	 Totalizer function
--	------------------------------	--------------------------	-----------------------------	---------------------------------	--	-----------------------------------	--	----------------------------------	---------------------------	------------------------

Product features

- Input range:
1 current measuring input, 1 voltage measuring input.
- Compact display for standard signals.
- Display range -19 999 ... 99 999 with leading zeros suppression and programmable decimal point.
- Modern industrial design.
- Fast measuring time of max. 0.1 second.

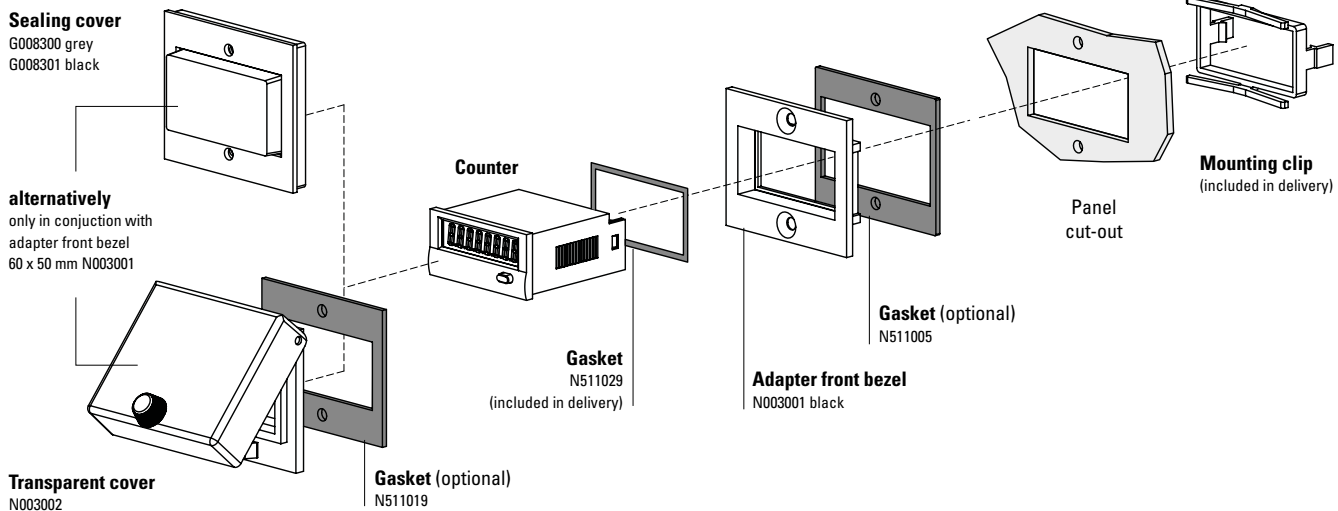
Benefits

- Galvanic isolation with protection against incorrect polarity.
- Autom. Min / Max value detection.
- Totalizer with programmable factor, divisor and decimal point.
- Freely programmable characteristic curve end points to adapt the desired display value.
- Input for display hold or reset input for Min / Max value and totalizer.

Order no.		
Display for analog signals with Min / Max value detection and totalizer	6.534.012.300	Stock types 6.534.012.300
<i>Delivery specification</i>		
<ul style="list-style-type: none"> - Digital display - Mounting clip - Gasket - Front bezel for screw mounting (T008181) 56 x 40 mm [2.20 x 1.57"], panel cut-out 50 x 25 mm [1.97 x 0.98"] - Front bezel for clip mounting (T008180) 53 x 28 mm [2.09 x 1.10"], panel cut-out 50 x 25 mm [1.97 x 0.98"] - 1 set of self-adhesive symbols - Instruction manual, multilingual 		

LED process displays **Standard signals with Min/Max value detection, totalizer** **Codix 534**

Accessories / Mounting examples



		Type / size	Description		Order no.	suitable gasket
Adapter front bezel		53 x 28 mm [2.09 x 1.10"]	for cut-out 50 x 25 mm [1.97 x 0.98"] to cut-out 45 x 22.2 mm [1.77 x 0.94"]	black anthracite	T008165 T008180	N511015
		56 x 40 mm [2.20 x 1.57"]	for cut-out 50 x 25 mm [1.97 x 0.98"] to cut-out 45 x 22.2 mm [1.77 x 0.94"] screw mounting	black anthracite	T008161 T008181	N511045
		72 x 36 mm [2.83 x 1.42"]	for cut-out 68 x 33 mm [2.68 x 1.30"] to cut-out 45 x 22.2 mm [1.77 x 0.94"]	black and silver anodised as set	162704Set	–
		60 x 50 mm [2.36 x 1.97"]	for cut-out 54 x 29 mm [2.13 x 1.14"] to cut-out 45 x 22.2 mm [1.77 x 0.94"] screw mounting	black	N003001	N511005
		48 x 48 mm [1.89 x 1.89"]	for cut-out 45 x 45 mm [1.77 x 1.77"] to cut-out 45 x 22.2 mm [1.77 x 0.94"]	black	T008883	–
Sealing cover IP65		K1	only in conjunction with adapter front bezel 60 x 50 mm N003001	transparent / grey	G008300	–
				transparent / black	G008301	
Transparent cover IP65		1 Dv (mounted on bezel)	cover lockable, for cut-out 54 x 29 mm [2.13 x 1.14"], only in conjunction with adapter front bezel 60 x 50 mm N003001	transparent / black	N003002	N511019
Gasket counter			48 x 24 mm (for installation in adapter front bezel) 49 x 25 mm		N511029	
					N511034	
Mounting frame		cut-out 50 x 25 mm [1.97 x 0.98"]	via adapter T008180 for snap-on mounting on 35 mm [1.38"] top-hat DIN rail	chromated	G300004	–
Enclosure blind		48 x 24 mm [1.89 x 0.94"]	for cut-out 45 x 22.2 mm [1.77 x 0.94"] and cut-out 50 x 25 mm [1.97 x 0.98"]	anthracite	G003836	–

incl. in delivery

Process displays

LED process displays Standard signals with Min/Max value detection, totalizer Codix 534

Technical data

General technical data	
Display	5 digits, red 7 segment LED display; 8 mm [0.32"] high
Measuring rate	10 or 2 measurements/second
Data backup	EEPROM
Operating temperature	-20 °C ... +65 °C [-4°F ... +149°F] (non-condensing)
Storage temperature	-25 °C ... +70 °C [-13°F ... +158°F]

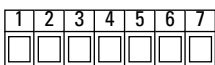
Electrical characteristics	
Supply voltage	10...30 V DC, galvanically isolated with integrated reverse polarity protection
Current consumption	max. 50 mA

Mechanical characteristics	
Housing	front panel mount 48x24 mm [1.89 x 0.94"] acc. to DIN 43700; RAL 7021, dark grey
Protection	IP65 (front side)
Weight	approx. 50 g [1.76 oz]
Vibration resistance acc. to EN 60068-2-6	10 ... 55 Hz / 1 mm [0.04"] / 30 min
Shock resistance acc. to EN 60068-2-27	100 G: 2 ms 10 G: 6 ms
Connections	screw terminal, pitch 5.08 mm [2"], 7 pin

Inputs	
Input current measurement	0 ... 20 mA (display range -0.5 ... 20.5 mA, programmable) 4 ... 20 mA (display range 3.5 ... 20.5 mA, programmable) current limitation 50 mA voltage drop max. 2 V DC
Input voltage measurement	0 ... 10 V (display range -0.5 ... 10.5 V, programmable) 2 ... 10 V (display range 1.5 ... 10.5 V, programmable) input resistance approx. 1 MΩ max. input signal level 30 V DC
Control inputs	HIGH 4 ... 30 V DC LOW 0 ... 2 V DC
Latch/Reset	
Resolution	14 bit
Accuracy	< 0.1 % ± 1 digit for the whole measuring range at an operating temperature of 20 °C [68°F]
Temperature drift	< 70 ppm/K _{Ambient}

Approvals	
UL compliant in accordance with	File no. E128604
CE compliant in accordance with	
EMC Directive	2014/30/EU
RoHS Directive	2011/65/EU

Terminal assignment



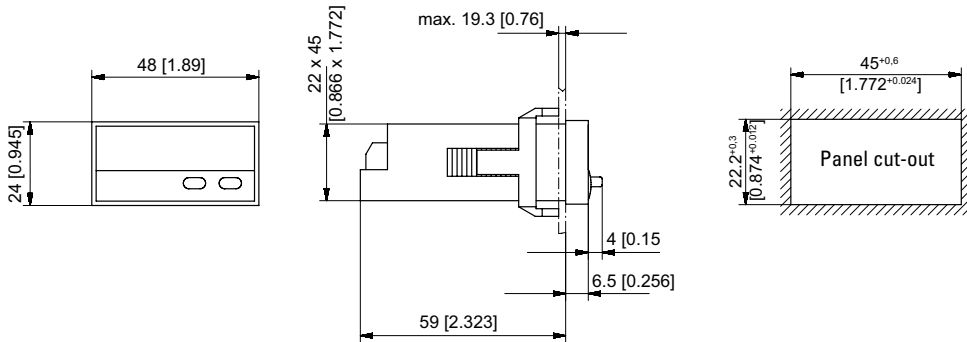
PIN	
1	10 ... 30 V DC
2	GND
3	GND
4	Latch
5	0 (4) ... 20 mA
6	Analog GND
7	0 (2) ... 10 V DC

Process displays

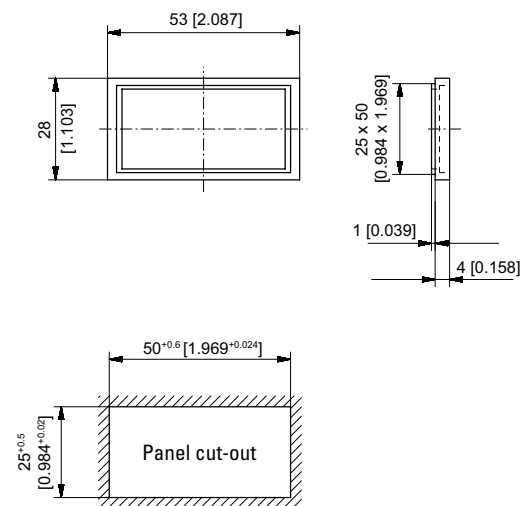
LED process displays **Standard signals with Min/Max value detection, totalizer** **Codix 534**

Dimensions

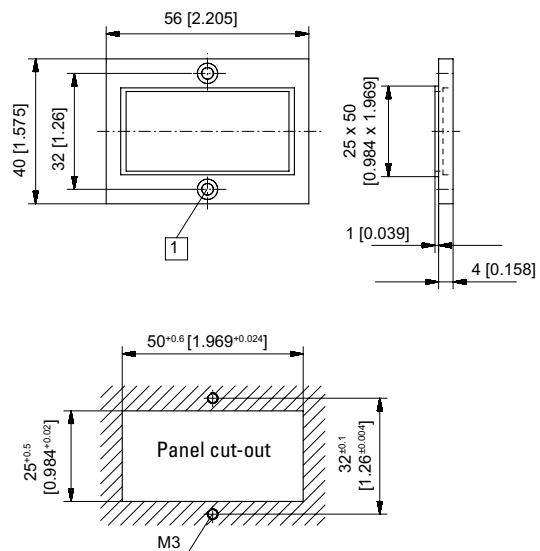
Dimensions in mm [inch]



Front bezel for clip mounting (included in delivery)



Front bezel for screw mounting (included in delivery)



1 Countersinking Af3, DIN 74