

Temperature displays

LED temperature displays For thermocouple inputs J, K and N (DC) **Codix 532**



Cost-effective temperature display for front panel mount with bright 5-digit LED display for values in °C or °F.

For very accurate temperature measurements using J, K or N thermocouples with permanently stored characteristic curves and selectable cold junction compensation.

Minimum and maximum value detection for temperature monitoring over long periods of time.



DC 10 ... 30 V Supply voltage	J, K, N J, K, N thermocouples	Prog Menu-driven programming	AC/DC Galvanic isolation	-20...+65°C Temperature range	IP65 High protection level	min / max Min / Max value detection	000000 DIN front bezel	123... 5 LEDs LED display
--	---	--	------------------------------------	---	--------------------------------------	---	----------------------------------	--

Product features

- Input ranges: J, K, N thermocouples with external or internal cold junction compensation.
- Compact and cost-effective temperature display.
- Easy programming and operation.
- Modern industrial design.
- 5 measurements / second.

Benefits

- Temperature display in °C or °F.
- MIN/MAX value acquisition and data backup in case of power off.
- Galvanic isolation with protection against incorrect polarity.
- Screw terminal connection: pitch 5 mm.
- Display hold input.

Order no.

Temperature display for J, K and N thermocouples **6.532.012.300**

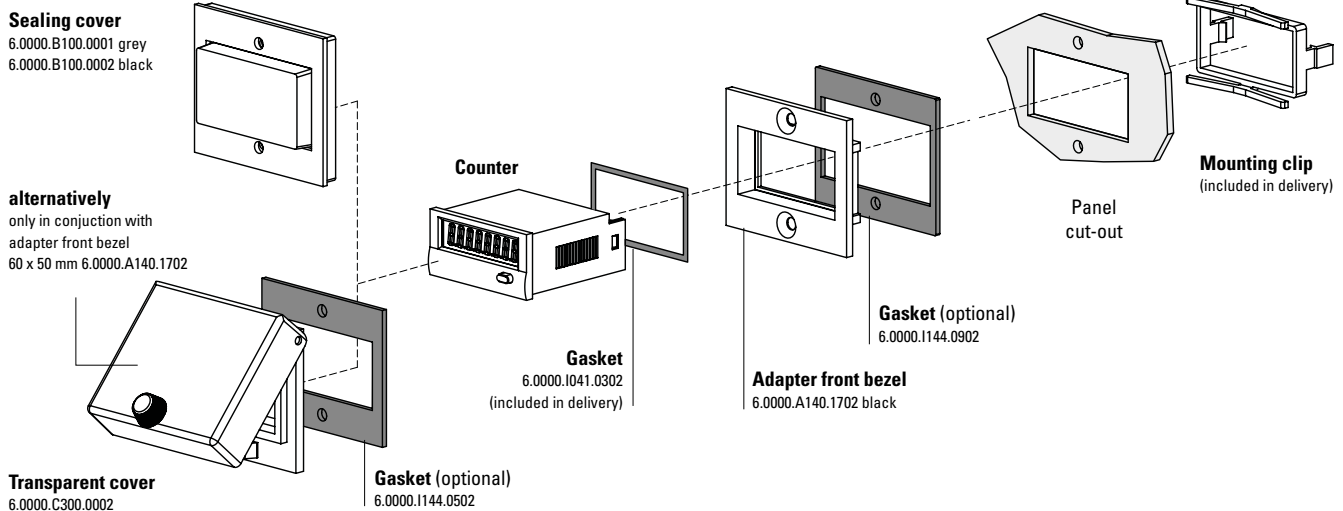
Delivery specification

- Setpoint adjuster
- Mounting clip
- Gasket
- Front bezel for screw mounting (6.0000.A110.0503) 56 x 40 mm [2.20 x 1.57"], panel cut-out 50 x 25 mm [1.97 x 0.98"]
- Front bezel for clip mounting (6.0000.A080.0503) 53 x 28 mm [2.09 x 1.10"], panel cut-out 50 x 25 mm [1.97 x 0.98"]
- 1 set of self-adhesive symbols
- Instruction manual, multilingual

Temperature displays

LED temperature displays For thermocouple inputs J, K and N (DC) **Codix 532**

Accessories / Mounting examples



		Type / size	Description		Order no.	suitable gasket
Adapter front bezel		53 x 28 mm [2.09 x 1.10"]	for cut-out 50 x 25 mm [1.97 x 0.98"] to cut-out 45 x 22.2 mm [1.77 x 0.94"]	black anthracite	6.0000.A080.0502 6.0000.A080.0503	6.0000.I082.0502
		56 x 40 mm [2.20 x 1.57"]	for cut-out 50 x 25 mm [1.97 x 0.98"] to cut-out 45 x 22.2 mm [1.77 x 0.94"] screw mounting	black anthracite	6.0000.A110.0502 6.0000.A110.0503	6.0000.I113.0502
		72 x 36 mm [2.83 x 1.42"]	for cut-out 68 x 33 mm [2.68 x 1.30"] to cut-out 45 x 22.2 mm [1.77 x 0.94"]	black and silver anodised as set	6.0000.A210.1802	–
		60 x 50 mm [2.36 x 1.97"]	for cut-out 54 x 29 mm [2.13 x 1.14"] to cut-out 45 x 22.2 mm [1.77 x 0.94"] screw mounting	black	6.0000.A140.1702	6.0000.I144.0902
		48 x 48 mm [1.89 x 1.89"]	for cut-out 45 x 45 mm [1.77 x 1.77"] to cut-out 45 x 22.2 mm [1.77 x 0.94"]	black	6.0000.A040.0402	–
Sealing cover IP65		K1	only in conjunction with adapter front bezel 60 x 50 mm 6.0000.A140.1702	transparent / grey transparent / black	6.0000.B100.0001 6.0000.B100.0002	–
Transparent cover IP65		1 Dv (mounted on bezel)	cover lockable, for cut-out 54 x 29 mm [2.13 x 1.14"], only in conjunction with adapter front bezel 60 x 50 mm 6.0000.A140.1702	transparent / black	6.0000.C300.0002	6.0000.I144.0502
Gasket counter			48 x 24 mm (for installation in adapter front bezel) 49 x 25 mm		6.0000.I041.0302 6.0000.I063.0302	
Mounting frame		cut-out 50 x 25 mm [1.97 x 0.98"]	via adapter 6.0000.A080.0503 for snap-on mounting on 35 mm [1.38"] top-hat DIN rail	chromated	6.0000.F300.0006	–
Enclosure blind		48 x 24 mm [1.89 x 0.94"]	for cut-out 45 x 22.2 mm [1.77 x 0.94"] and cut-out 50 x 25 mm [1.97 x 0.98"]	anthracite	6.0000.H100.0003	–

incl. in delivery

Temperature displays

LED temperature displays For thermocouple inputs J, K and N (DC) Codix 532

Technical data

General technical data	
Display	5 digits, red 7 segment LED display; 8 mm [0.32"] high
Display refresh	1 ... 2 times per second
Data backup	EEPROM
Operating temperature	-20 °C ... +65 °C [-4 °F ... +149 °F] (non-condensing)

Electrical characteristics	
Supply voltage	10 ... 30 VDC, galvanically isolated with integrated reverse polarity protection
Current consumption	max. 40 mA

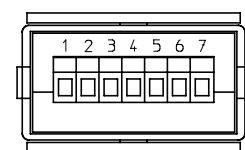
Mechanical characteristics	
Housing	front panel mount 48 x 24 mm [1.89 x 0.94"] acc. to DIN 43700; RAL 7021, dark grey
Protection	IP65 (front side)
Weight	approx. 50 g [1.76 oz]
Connections	screw terminal, pitch 5.08 mm [2"], 7 pin

Measuring signal inputs	
Measuring rate	5 measurements / second
Input	thermocouple sensor J (Fe-CuNi) K (Ni-CrNi) N (NiCrSi-NiSi) with sensor breakage monitoring
Temperature ranges (according to DIN IEC 584)	J (Fe-CuNi) -210.0 °C ... +1200.0 °C [-346.0 °F ... +2192.0 °F] K (Ni-CrNi) -200.0 °C ... +1372.0 °C [-328.0 °F ... +2501.6 °F] N (NiCrSi-NiSi) -200.0 °C ... +1300.0 °C [-328.0 °F ... +2370.0 °F]
Resolution	0.1 °C (0.1 °F) or 1 °C (1 °F)
Linearity error	< 0.4 % for the whole measuring range at an operating temperature of 20 °C [68 °F]
Temperature drift	0.1 K/K _{Ambient}
Cold junction error	±1 °C typ. / ±3 °C max.
Control inputs	HIGH 4 ... 30 V DC LOW 0 ... 2 V DC

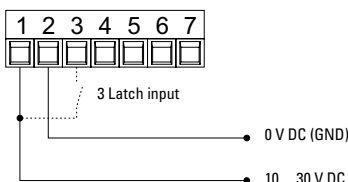
Approvals	
UL compliant in accordance with	File no. E128604
CE compliant in accordance with	
EMC Directive	2014/30/EU
RoHS Directive	2011/65/EU

Terminal assignment

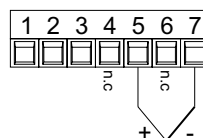
1	2	3	4	5	6	7
10 ... 30 V DC	0 V DC GND	Latch input	n.c.	Thermocouple +	n.c.	Thermocouple -



Connection supply voltage and latch input



Connection thermocouple sensor



Temperature displays

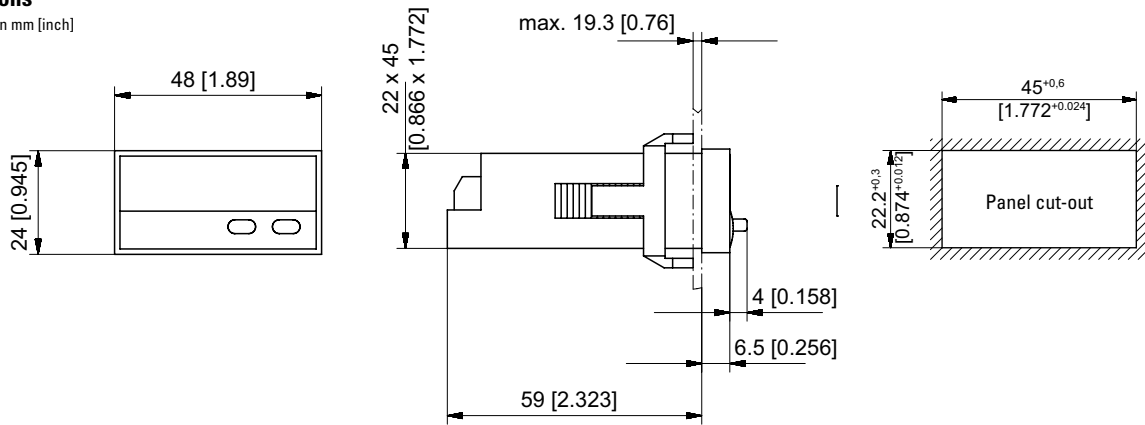
LED temperature displays

For thermocouple inputs J, K and N (DC)

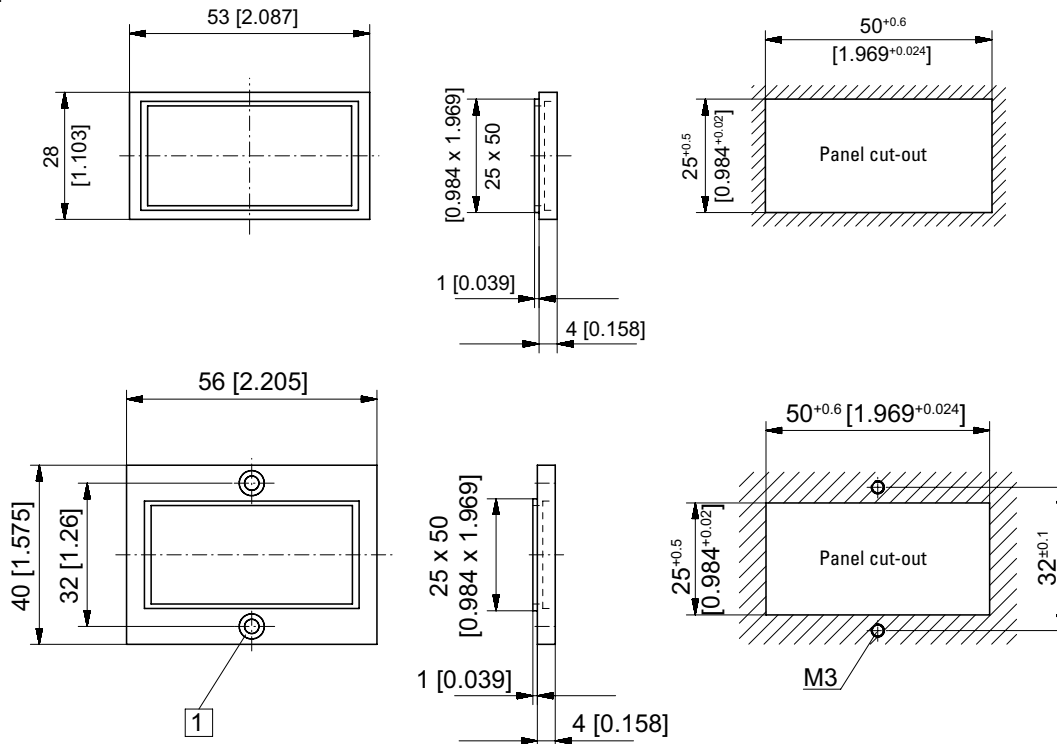
Codix 532

Dimensions

Dimensions in mm [inch]



Front bezel



Countersinking Af3, DIN 74