

Position Displays

LED, SSI Display

2 presets, analogue output

Type 570



The fast SSI display Type 570 is designed for absolute SSI encoders with a resolution up to 32 bits. It can be used as either a Master or a Slave display.

Thanks to simple bit assignment and bit blanking the display, which can be scaled and linearized, can also be cascaded, in order to extend the display range as desired. Output options include 2 limit values, analogue output or interface.



AC/DC 17 ... 260V Power supply	SSI SSI Input	max. 1 MHz Count frequency	2 2 limit values	mA, V Analogue output	14 bit Resolution 14 bit	RS 232/485 RS232/485 Interface	IP 65 High IP value	POSITION Position display	DIN 48 x 96 DIN front bezel	6 LED LED display
Prog Menu-driven programming	SSI Display linearization	Plug-in Plug-in screw terminal								

Your benefit

- AC and DC supply voltage in one unit
- Master- or slave mode
- Plug-in screw terminals
- SSI-clock frequency from 100 Hz up to 1 MHz
- Display may be adjusted using scaling- and offset-features
- Large 15 mm [0.591"] high LED-display, 6-digit, with adjustable brightness
- Round-loop function
- Linearization with Teach option
- Bit blanking

Product features

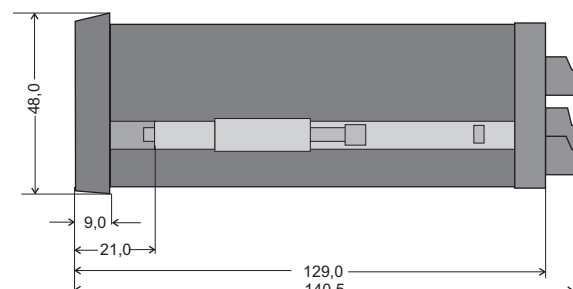
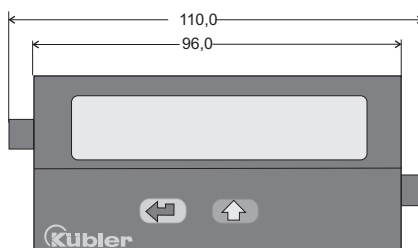
- Suitable for SSI-protocols from 8 up to 32 bits
- Version with 2 optocoupler outputs to work as limit or preset values; also with programmable tracking preset.
- Version with scaleable analogue output, resolution 14 bits, 0 ... 10 V, -10 ... +10 V, 0 ... 20 mA or 4 ... 20 mA
- Version with serial interface for reading data in and out (RS232/RS485)
- NEW: Version with 2 relay outputs as limit values or pre-sets; can also be programmed as tracking preset and with RS232/485 interface
- Gray or binary code
- 48 x 96 mm [1.89 x 3.78"] DIN-housing, IP65

Order code

0.570.011.E00	Display with 2 optocoupler outputs ¹⁾	17 - 30 V DC or 115/230 V AC
0.570.012.E90	Display with analogue output ¹⁾	17 - 30 V DC or 115/230 V AC
0.570.012.E05	Display with serial interface RS232/485	17 - 30 V DC or 115/230 V AC
0.570.010.305	Display with 2 relay outputs and RS232/485 interface	17 - 30 V DC

Dimensions

Panel cut-out
92 x 45 mm



¹⁾ Stock types

Position Displays

LED, SSI Display **2 presets, analogue output** **Type 570**

General technical data	
Display	LED display, 15 mm high 6 decades
Operating temperature	0°C ... +45°C
Storage temperature	-25°C ... +70°C
Altitude	up to 2000 m

Electrical characteristics	
Power supply	(0.570.01X.EXX) 17 ... 30 V DC and 115/230 V AC, ± 12,5 % (0.570.010.305) 17 ... 30 V DC
Current consumption DC	17 V 190 mA 24 V 150 mA 30 V 120 mA
Power consumption AC	7,5 VA
Sensor power supply (for encoder)	24 V DC ± 15%, 120 mA
EMV	Immunity to interference EN 55011 class B Emitted interference EN 61000-6-2
Device safety	designed to EN61010 part 1 Protection Class 2 Application area Pollution level 2

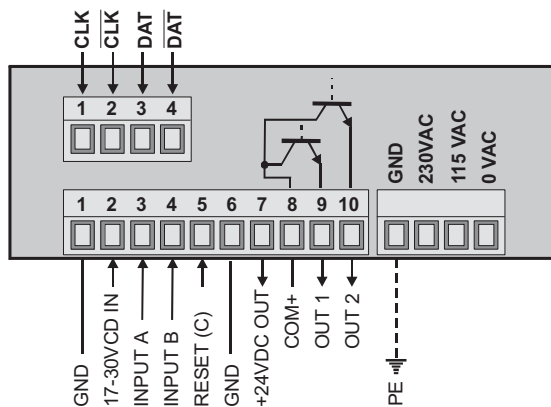
Mechanical characteristics	
Protection	IP65 from front
Weight	approx. 200 g

Inputs	
SSI data inputs	Differential RS 422 input
Input frequency range	100 Hz ... 1 MHz
SSI clock output	Differential RS 422 output
Output frequency range	100 Hz ... 1 MHz
Input reset	PNP or NPN, programmable 5,1 mA, 24 V DC R _i = 4,7 kOhm
Input level	Low 0 ... 2 V High 9 ... 35 V
Min. reset pulse time	min. 5 ms

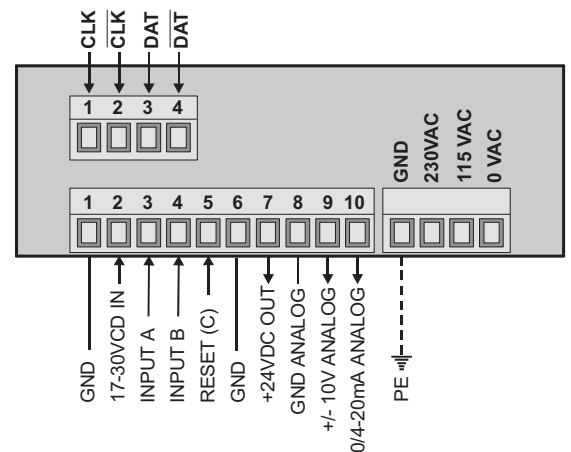
Outputs	
Scaleable analogue output	(0.570.012.E90) 0 ... 10 V, -10 ... + 10 V or 0 ... 20 mA, 4 ... 20 mA
Resolution	14 bit + sign
Accuracy	0,1 %
Optocoupler output	(0.570.011.E00) 5 ... 35 V DC/150 mA reaction time approx. 5 ms
Interface	(0.570.012.E05 + 0.570.010.305) RS232 and RS485 acc. to ISO 1745 Drivecom Protocol or Printer Protocol
Relay output	(0.570.010.305) 2 changeover contacts max. 250 V AC / 1 A / 250 VA max. 100 V DC / 1 A / 100 W reaction time approx. 10 ms

Terminal assignment

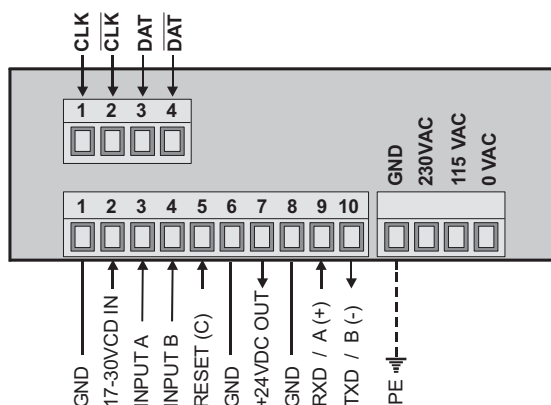
Display with 2 optocoupler outputs (0.570.011.E00)



Display with analogue output (0.570.012.E90)



Display with serial interface RS 232/485 (0.570.012.E05)



Display with 2 relay outputs, RS 232/485 (0.570.010.305)

