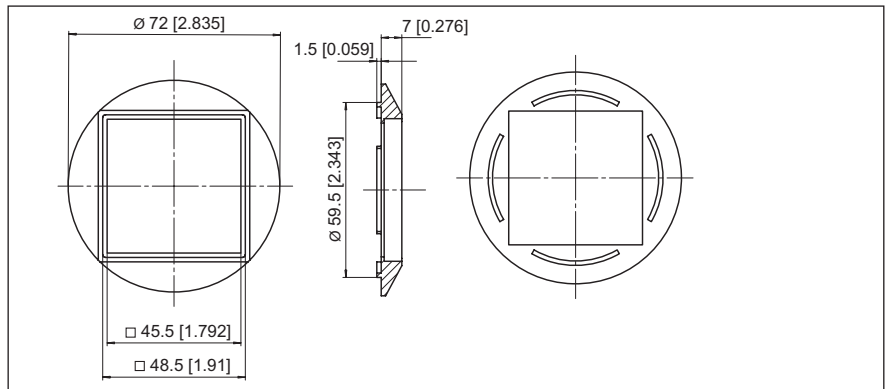


**Bezel**

Slip-on bezel for bore  $\varnothing$  60 [2.362"]



Suitable for counters:  
715, **CODIX** 716, **CODIX** 717, 901,  
903, 904, 923, 924, H57 and HC77

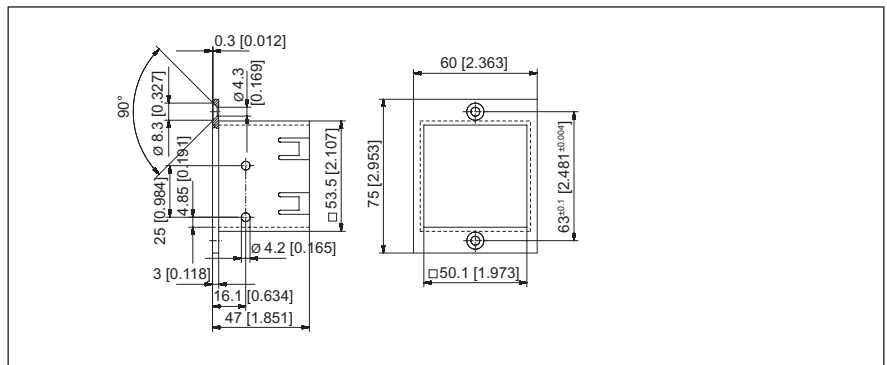


Order code:  
black Art. No. N 510226

Type F2B



- Plastic front bezel F2B for counters with panel cut-out dimensions 50 x 50 mm [1.969 x 1.969"]
- Suitable for counters Hva and HB

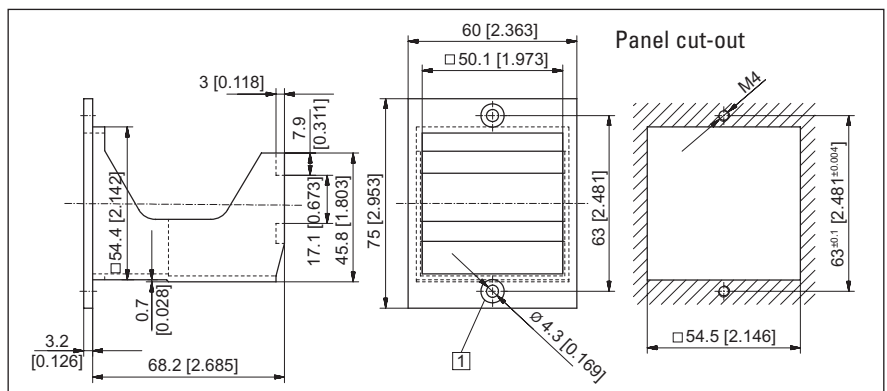


Order code:  
F2B beige Art. No. G.007.503  
F2B black Art. No. G.007.504

Type F2M



Suitable for counter  
MVs or M



1 Flush, Bf4, DIN 74

Order code:  
F2M beige Art. No. T.008.105  
F2M black Art. No. T.008.106