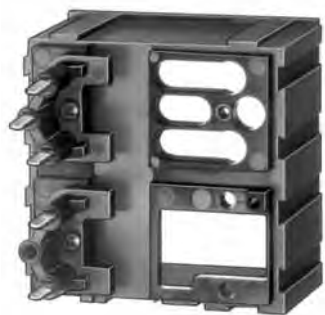
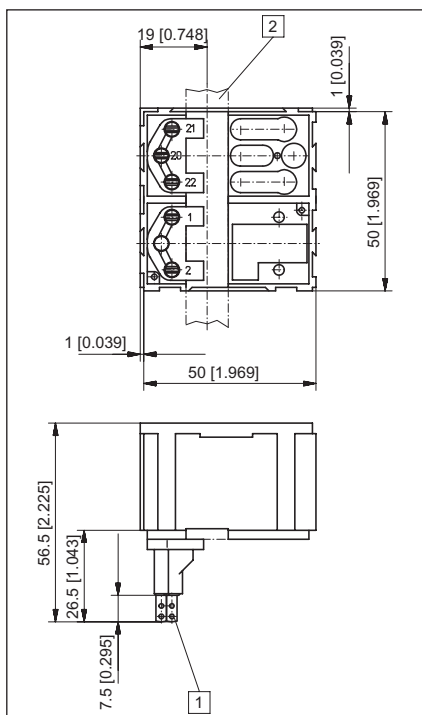


## Socket boxes

### Socket box 946.1



Suitable for counter: B Va



- 1 Flat pin 0.8 x 2.8 mm [0.032 x 0.11"] tin plated
- 2 Fixing strip 3 x 12 mm [0.118 x 0.473"]

Order code: \_\_\_\_\_  
 Art. No. G.008 439  
 \_\_\_\_\_

### Socket boxes 926.1



Suitable for counter MVs

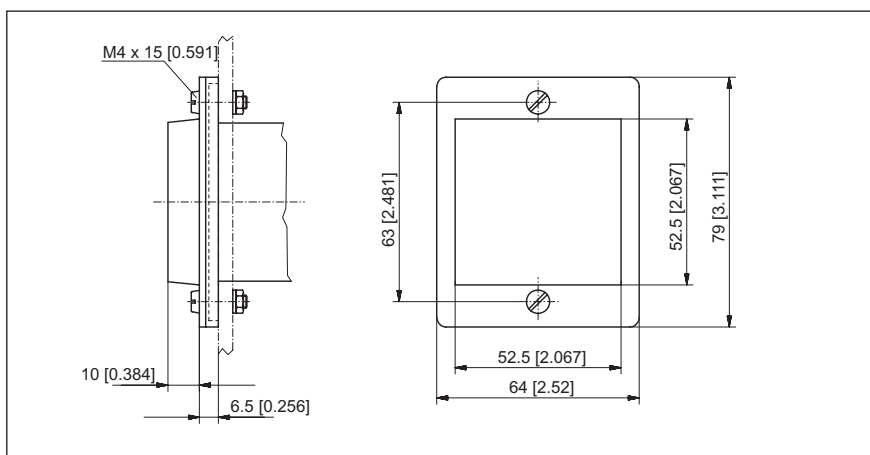
Order code: \_\_\_\_\_  
 Art. No. G008 433  
 \_\_\_\_\_

## Sealing covers

### Type K 2



Suitable for counters:  
 BVa and B or el. preset counters with  
 bezel adapter 75 x 60 mm [2.953 x 2.363"]



Order code: \_\_\_\_\_  
 grey Art. No. G008302  
 black Art. No. G008303