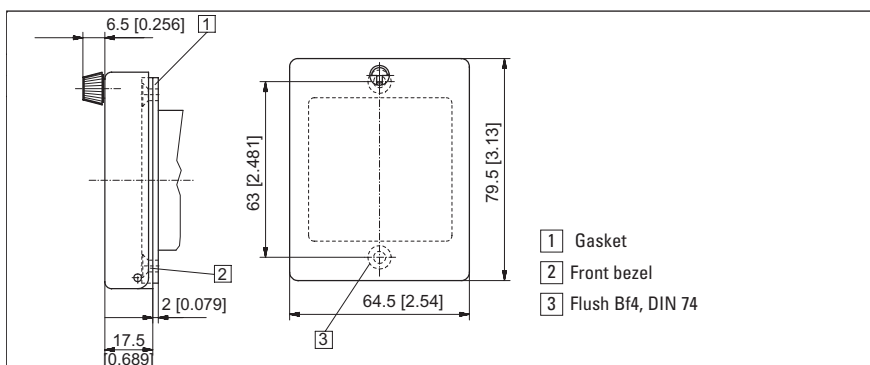


## Sealing covers

### Lockable transparent cover

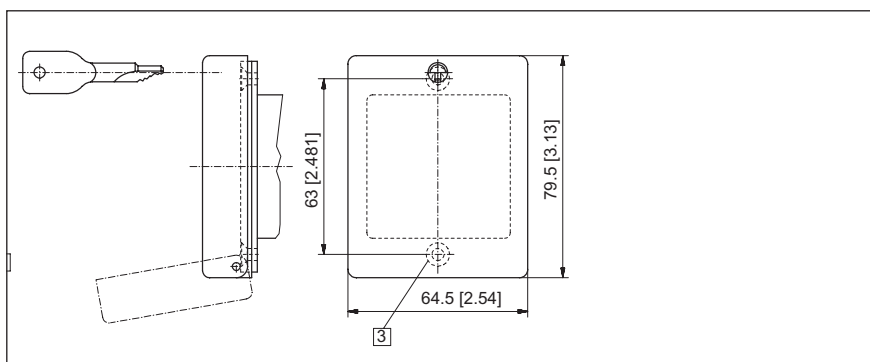


Suitable for counter:  
901, 903, 904, 923, 924, 715  
**codix** 716/717, 910

Order code:

Art. No. G008 143

### Lockable transparent cover, with key



Suitable for counter:  
901, 903, 904, 923, 924, 715  
**codix** 716/717, 910

Order code:

Art. No. G008153