

## Time Preset Counters – HVa 15



- 5-digit presettable hour meter
- Manual reset
- High shock resistance
- Magnified figures
- Protection IP 42 (front)
- Data retention if power is lost
- Long service life

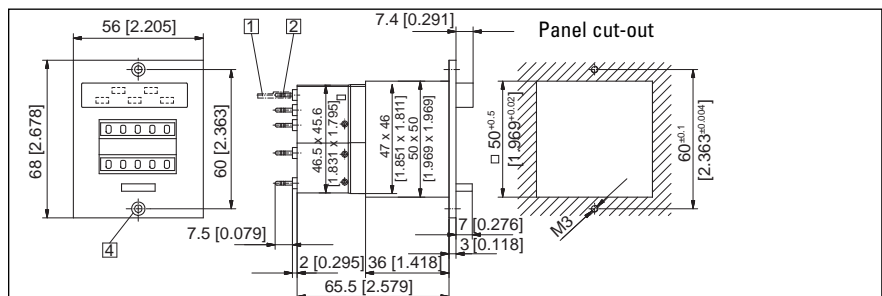
### Applications:

general counting, service interval for measurement systems (respiratory ventilators, oxygen machines, dialysis machines), small appliances, UV lamps, display panels in cars.

### Technical data:

|                        |   |                    |  |
|------------------------|---|--------------------|--|
| Electrical connection: | tin-plated round pins $\varnothing$ 1.6 mm [0.063"], with push on connectors  | Colour of housing: | black, grey on request   |
| Power consumption:     | 10 ... 30 V DC: approx. 0.5 W<br>36 ... 80 V DC: approx. 0.9 W<br>100 ... 130 V DC: approx. 0.75 W<br>20 ... 30 V AC, 50 Hz: approx. 0.3 VA<br>42 ... 48 V AC, 50 Hz: approx. 0.25 VA<br>100 ... 130 V AC, 50 Hz: approx. 0.6 VA<br>187 ... 264 V AC, 50 Hz: approx. 1.2 VA<br>360 ... 440 V AC, 50 Hz: approx. 1.65 VA | Switching contact: | 1 changeover contact (Micro switch) release at the preset time<br>loading capacity at AC: max.250 V, max 2 A<br>loading capacity at DC (ohmic load):<br>24 V max. 2.0 A<br>60 V max. 0.7 A<br>115 V max. 0.4 A<br>230 V max. 0.2 A |
| Rated voltages:        | 20 ... 30/42 ... 48/100 ... 130/187 ... 264, 360 V AC<br>50 or 60 Hz, 10 ... 30/36 ... 80/100 ... 130 V DC  | Options:           | knob-locking 0-reset   |
| Range:                 | at AC: 999.99 h<br>at DC: 9999.9 h  | Housing:           | black: Art. no. 3.30X.X17.XXX<br>grey: Art. no. 3.30X.X16.XXX  |
| On time:               | 100 %   | Housing:           | HVa 15.01 (without front bezel)<br>pluggable in socket box 946.1<br>DIN Rail mount SR 3<br>black: Art. no. 3.300.001.XXX<br>beige: Art. no. 3.300.012.XXX  |
| Count mode:            | adding  | Test voltage:      | 2000 V AC, 50 Hz for AC  |
| Colour of figures:     | hour: white on black,<br>1/10 and 1/100 h: red on white<br>preset: app. 4mm [0.158"] high<br>Hour: yellow on black<br>1/10 and 1/100 h: red on white  | Sealing:           | oil and gasoline-resistant synthetic rubber, particularly suitable for use with acids and alkalis, very good age stability.  |
| Reset:                 | manual  | Accessories:       | socket box 946.1 Art. no. G.008.439  |
| Ambient temperature:   | -15 ... +50 °C [5 ... 122 °F]   | Front frame:       | black: Art. no. G.007.504<br>beige: Art. no. G.007.503   |
| Mounting position:     | any   |                    |  |
| Protection:            | IP 42 front side,<br>sealing cover K1: IP 54 front side<br>clear cover Dv and Dvs: IP 55 front side   |                    |  |

### HVa 15.11

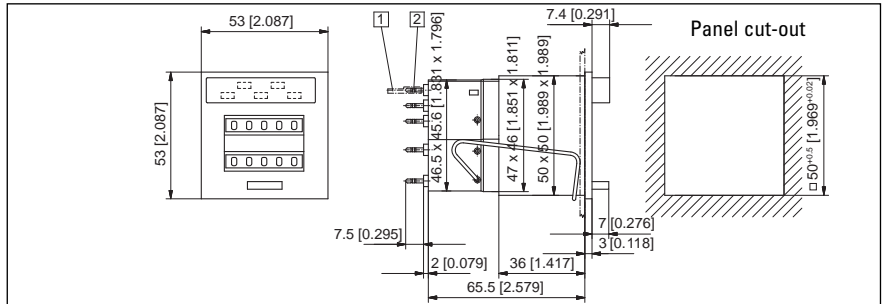


| Voltage     | Art-No. (AC), 50 Hz | Art-No. (AC), 60 Hz | Art-No. (V DC) |
|-------------|---------------------|---------------------|----------------|
| 10 ... 30   |                     |                     | 3.300.111.351  |
| 20 ... 30   | 3.300.111.071       | 3.300.111.081       |                |
| 36 ... 80   |                     |                     | 3.300.111.353  |
| 42 ... 48   | 3.300.111.072       | 3.300.111.082       |                |
| 100 ... 130 | 3.300.111.074       | 3.300.111.084       | 3.300.111.381  |
| 187 ... 264 | 3.300.111.075       | 3.300.111.085       |                |
| 360 ... 440 | 3.300.111.079       | 3.300.111.089       |                |

- 1 Tin plated push on connector
- 2 Round pin  $\varnothing$  1.5 [0.059"] tin plated
- 4 Countersunk A134 DIN 74

## Time Preset Counters – HVa 15

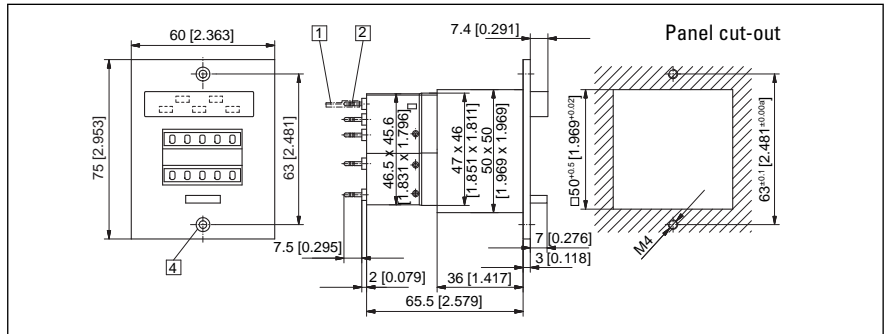
### HVa 15.21



| Voltage     | Art-No. (AC), 50 Hz | Art-No. (AC), 60 Hz | Art-No. (V DC) |
|-------------|---------------------|---------------------|----------------|
| 10 ... 30   |                     |                     | 3.300.211.351  |
| 20 ... 30   | 3.300.211.071       | 3.300.211.081       |                |
| 36 ... 80   |                     |                     | 3.300.211.353  |
| 42 ... 48   | 3.300.211.072       | 3.300.211.082       |                |
| 100 ... 130 | 3.300.211.074       | 3.300.211.084       | 3.300.211.381  |
| 187 ... 264 | 3.300.211.075       | 3.300.211.085       |                |
| 360 ... 440 | 3.300.211.079       | 3.300.211.089       |                |

- 1 Tin plated push on connector  $\varnothing$  1.5 [0.059"]
- 2 Tin plated round pin  $\varnothing$  1.5 [0.059"]

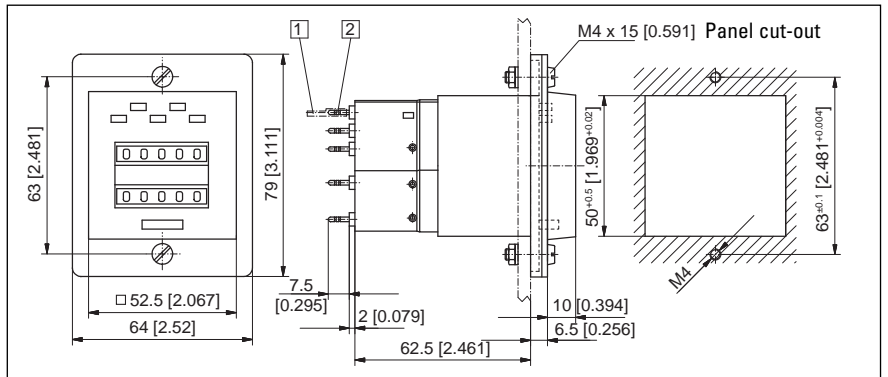
### HVa 15.31



| Voltage     | Art-No. (AC), 50 Hz | Art-No. (AC), 60 Hz | Art-No. (V DC) |
|-------------|---------------------|---------------------|----------------|
| 10 ... 30   |                     |                     | 3.300.311.351  |
| 20 ... 30   | 3.300.311.071       | 3.300.311.081       |                |
| 36 ... 80   |                     |                     | 3.300.311.353  |
| 42 ... 48   | 3.300.311.072       | 3.300.311.082       |                |
| 100 ... 130 | 3.300.311.074       | 3.300.311.084       | 3.300.311.381  |
| 187 ... 264 | 3.300.311.075       | 3.300.311.085       |                |
| 360 ... 440 | 3.300.311.079       | 3.300.311.089       |                |

- 1 Tin plated push on connector  $\varnothing$  1.5 [0.059"]
- 2 Tin plated round pin  $\varnothing$  1.5 [0.059"]
- 4 Countersunk Af3 DIN 74

### K2 HVa 15.31

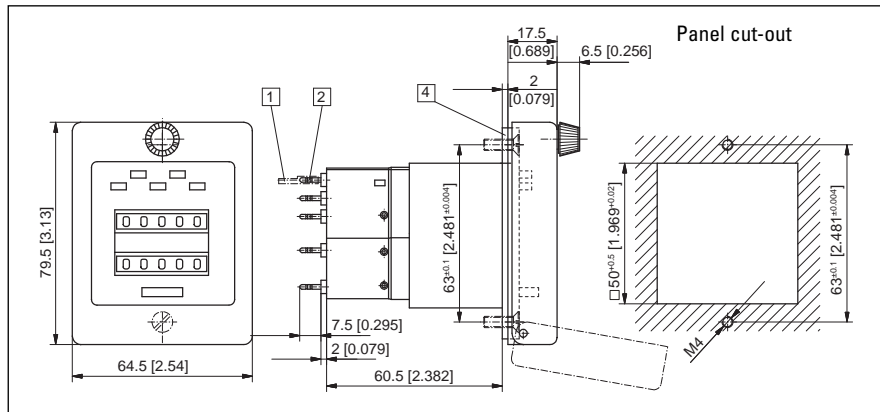
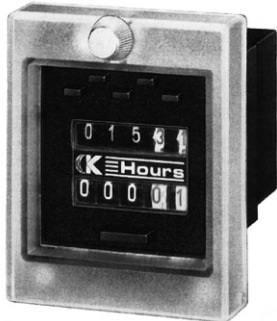


| Voltage     | Art-No. (AC), 50 Hz | Art-No. (AC), 60 Hz | Art-No. (V DC) |
|-------------|---------------------|---------------------|----------------|
| 10 ... 30   |                     |                     | 3.300.611.351  |
| 20 ... 30   | 3.300.611.071       | 3.300.611.081       |                |
| 36 ... 80   |                     |                     | 3.300.611.353  |
| 42 ... 48   | 3.300.611.072       | 3.300.611.082       |                |
| 100 ... 130 | 3.300.611.074       | 3.300.611.084       | 3.300.611.381  |
| 187 ... 264 | 3.300.611.075       | 3.300.611.085       |                |
| 360 ... 440 | 3.300.611.079       | 3.300.611.089       |                |

- 1 Tin plated push on connector  $\varnothing$  1.5 [0.059"]
- 2 Tin plated round pin  $\varnothing$  1.5 [0.059"]

## Time Preset Counters – HVa 15

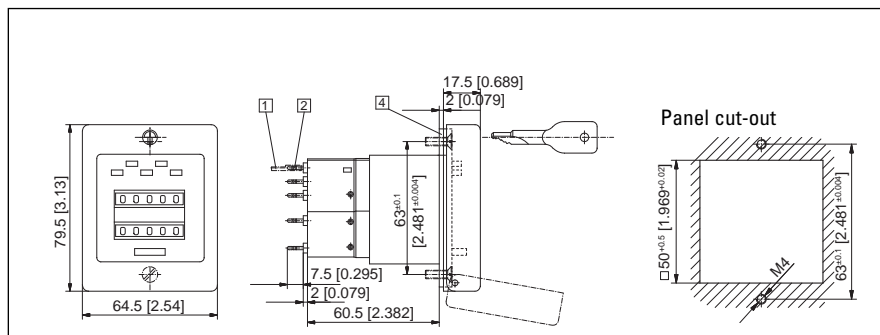
**Dv HVa 15.31**  
(knob locking cover)



| Voltage     | Art-No. (AC), 50 Hz | Art-No. (AC), 60 Hz | Art-No. (V DC) |
|-------------|---------------------|---------------------|----------------|
| 10 ... 30   |                     |                     | 3.300.711.351  |
| 20 ... 30   | 3.300.711.071       | 3.300.711.081       |                |
| 36 ... 80   |                     |                     | 3.300.711.353  |
| 42 ... 48   | 3.300.711.072       | 3.300.711.082       |                |
| 100 ... 130 | 3.300.711.074       | 3.300.711.084       | 3.300.711.381  |
| 187 ... 264 | 3.300.711.075       | 3.300.711.085       |                |
| 360 ... 440 | 3.300.711.079       | 3.300.711.089       |                |

- 1 Tin plated push on connector  $\varnothing$  1.5 [0.059"]
- 2 Tin plated round pin  $\varnothing$  1.5 [0.059"]
- 4 Gasket

**Dvs HVa 15.31**  
(locking transparent cover)



| Voltage     | Art-No. (AC), 50 Hz | Art-No. (AC), 60 Hz | Art-No. (V DC) |
|-------------|---------------------|---------------------|----------------|
| 10 ... 30   |                     |                     | 3.300.811.351  |
| 20 ... 30   | 3.300.811.071       | 3.300.811.081       |                |
| 36 ... 80   |                     |                     | 3.300.811.353  |
| 42 ... 48   | 3.300.811.072       | 3.300.811.082       |                |
| 100 ... 130 | 3.300.811.074       | 3.300.811.084       | 3.300.811.381  |
| 187 ... 264 | 3.300.811.075       | 3.300.811.085       |                |
| 360 ... 440 | 3.300.811.079       | 3.300.811.089       |                |

- 1 Tin plated push on connector  $\varnothing$  1.5 [0.059"]
- 2 Tin plated round pin  $\varnothing$  1.5 [0.059"]
- 4 Gasket

### Wiring diagrams:

