

LCD Module – 192

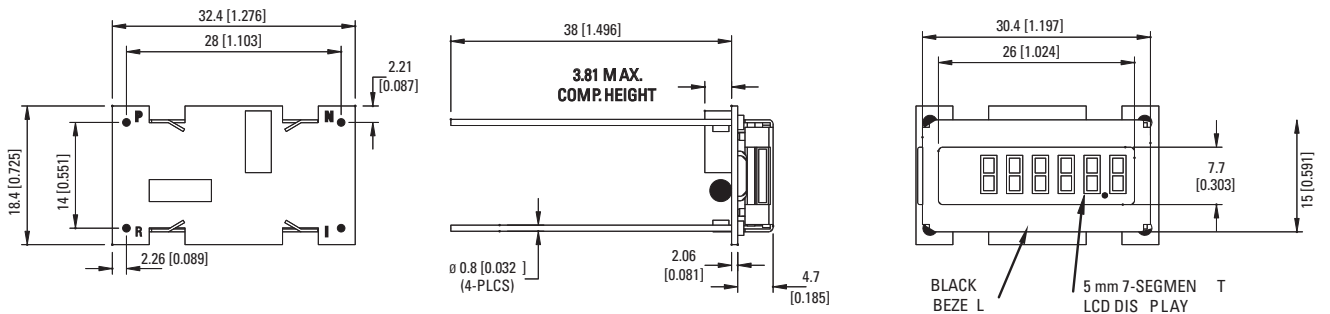


- Non-volatile memory (no battery)
- High reliability
- Low cost and small size
- Low operating current
- Wide operating voltage and temperature range
- Very high shock and vibration resistance

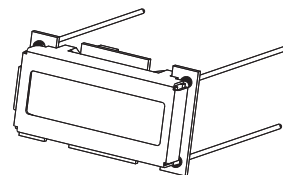
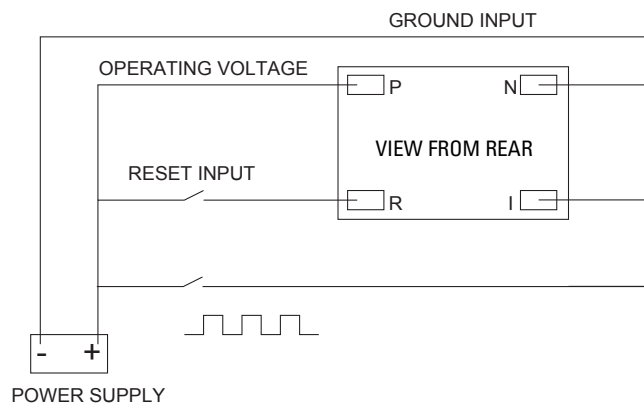
Technical data:

Supply:	4.5 ... 28 V DC	Humidity:	95 % RH +32 C for 2 hours
Current consumption:	3 mA maximum at 4.5 V DC 10 mA at 28 V DC	EMC:	Emitted interference EN55011 Class B Immunity to interference: EN61000-6-2
Count and reset input:	4.5 ... 28 V DC	Weight:	approx. 8 g [0.282 oz]
Max. Count frequency:	100 Hz	Memory capacity:	CMOS EEPROM. non-volatile memory has data retention in excess of 10 years without power.
Display:	6-digit display, figure height 5 mm [0.197"]	Needs protection from:	inductive stress peaks, high energy noise, fields switching, alternator load dump
Data backup:	EEPROM		
Housing:	dimensions 19 x 33 mm [0.748 x 1.299"]		
Colour:	black		
Operating temperature:	-40 ... +85 °C [-40 ... 185 °F] non-condensing		

Dimensions:



Connecting diagram:



Order code:
LCD Counter Module Type 192:
Order-No.: 6.192.012.300*

Delivery specifications:
– LCD Counter Module Type 192
– Operating instructions

* standard stock model