

LCD Modules – 166



- 4-digit LCD totaliser for panel mounting
- Removable housing for special applications
- Power supply from replaceable lithium battery, 3 ... 4 years at 20 °C [68 °F]
- Max. count frequency 18 Hz by contact

Applications:

devices without power supply
easy counting
self powered device
vending machines
gaming machines
printers and copiers

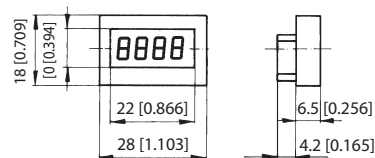
Technical data:

Power supply:	1.5 V lithium battery Type 386 or SR 43
Battery operating life:	3 ... 4 Years at 20 °C [68 °F]
Display:	LCD 4-digit, 6 mm [0.236"] high
Count range:	9999 with zero blanking
Count input:	max. count frequency 18 Hz counting by closed contact low: < 1,8 V high: 0 ... 0.7 V
0 reset:	quick removal or the battery or connect the two pins on the back of the unit

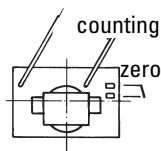
EMC:	Emitted interference EN55011 Class B Immunity to interference: EN61000-6-2
Working temperature:	0 ... +50 °C [32 ... 122 °F]
Storage temperature:	-10 ... +60 °C [14 ... 140 °F]
Housing:	clear and black
Protection:	IP 40
Weight:	7.5 g [0.265 oz]
Electrical connections:	flying leads 18 cm [0.591 feet] long

Dimensions:

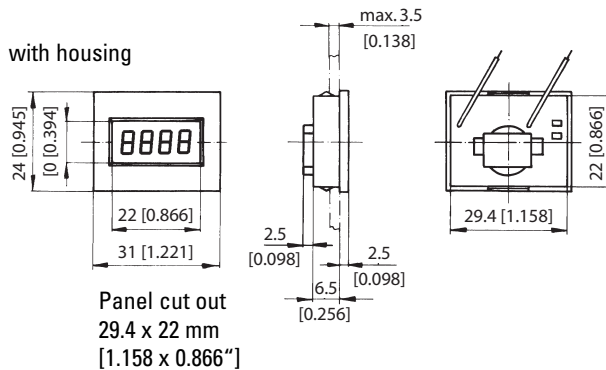
without housing



Flying leads
180 mm [7.087"] long



with housing



Order code:

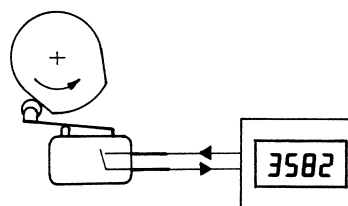
Art. no.: 0.166.012.830*

Delivery specification:

LCD module
Operating manual

* standard stock model

Application:



Control with contact