

## LED Pulse Counters – Codix 540

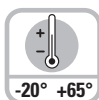
- Simple programmable pulse counter
- Single channel totaliser



Power supply  
AC/DC



Front bezel  
dimensions



Wide temper-  
ature range



High IP  
protection  
rating



Plug-in screw  
terminal



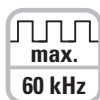
Menu-driven  
programming



Operation  
with gloves



Input type



Pulse counter/  
Totaliser

### Powerful

- **Fast count input**  
Input frequency max. 60 kHz
- **Robust housing**  
IP 65 protection
- **LED display**  
Very bright, 14 mm high
- **Simple totalizing and quantity counters**  
Single channel count input and reset input  
Programmable for positive (PNP) or negative (NPN) switching input pulses  
Fast count input with an input frequency of max. 60 kHz, can be damped to 30 Hz for mechanical contacts
- **Fast start-up time**  
Detects incoming pulses just 16 ms after being switched on → so no pulses are lost with a simultaneous motor start-up



### User-friendly

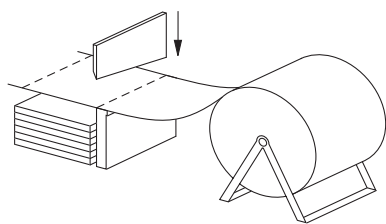
- **Big keys**  
Can also be operated when using gloves
- **Easy to programme**  
Easy menu-driven programming and operation  
Possibility to enter the programming mode during operation, with authentication query

### Universal

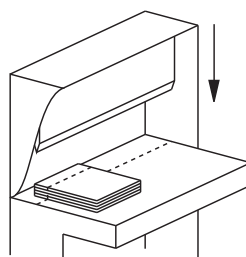
- **Programmable decimal point**  
Can be set between 0.0 and 0.000
- **Manual or electrical reset**  
Tamper-proof, due to lockable reset function
- **AC or DC power supply**  
With sensor power supply
- **Inputs**  
As an alternative to the HTL inputs, devices with a 4 ... 30 V DC input level are available, for use as parallel displays for PLCs

### Applications for Pulse Counters/ Totalisers

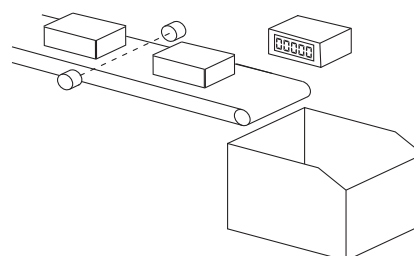
- Simple count tasks such as quantity and piece counting
- Accessories, OEM equipment or retrofitting to production machines
- Piece counting on die cutters, presses, extruders, woodworking machines, drilling machines, pick-and-place machines, guillotines, special-purpose vehicles etc.



Piece-counting



Number of cuts



Piece-counting on conveyor

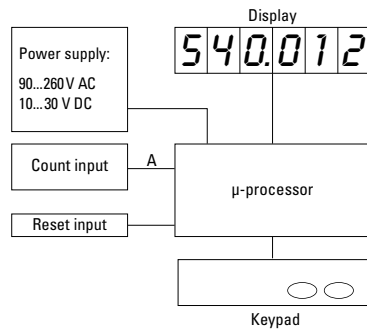
## LED Pulse Counters – Codix 540

### Technical data:

Supply voltage( $U_B$ ):	10 ... 30 V DC, with reverse polarity protection 90 ... 260 V AC
Current consumption:	max. 50 mA, 6 VA
Display:	6-digit red 7-segment LED display; 14 mm [0.551"] high
Data backup:	EEPROM
Housing:	dimension 96 x 48 mm [3.78 x 1.89"] according to DIN 43 700; RAL 7021, grey
Polarity of Inputs:	programmable, npn or pnp for all inputs
Input resistance:	approx. 5k $\Omega$
Counting frequency*:	max. 60 kHz, can be damped to 30 Hz, depending on operating mode
Reset time:	5 ms
Ambient temperature:	-20 ... +65 °C [-4 °F ... 149 °F] non-condensing
Storage temperature:	-25 ... +70 °C [-13 °F ... 158 °F]
Altitude	up to 2000 m

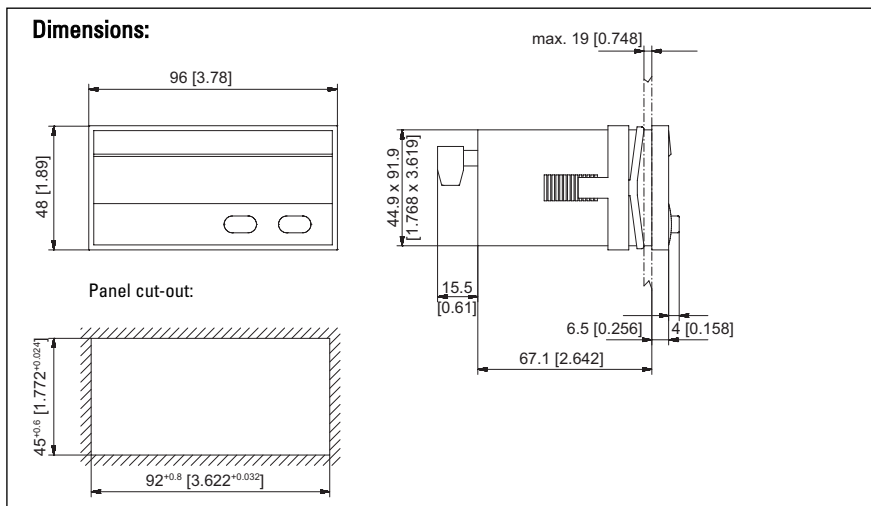
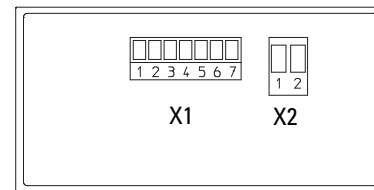
Input switching level (standard version):	DC-version:	
	low: 0 ... 0.2 [0 ... 0.008"] x $U_B$ [V DC] high: 0.6 [0.024"] x $U_B$ ... 30 V DC	
Input switching level 4 ... 30 V DC version:	AC-version	
	low 0 ... 4 V DC high 12 ... 30 V DC	
Voltage output for sensors:	low 0 ... 2 V DC high 4 ... 30 V DC	
EMC:	24 V DC $\pm$ 15 %/100 mA for AC-version	
Device safety:	EMC:	Emitted interference EN55011 Class B Immunity to interference: EN61000-6-2
	design to: protection: application area:	EN61010 Part 1 Class 2 Soiling Level 2
Protection:	IP 65 front side	
Weight:	approx. 150 g [5.291 oz]	

### Block diagram:



\*for further specifications please refer to the manual

### Connections:



### Connection: X2

Pin	AC-version	DC-version
1	90 ... 260 V AC	0 V DC (GND)
2	90 ... 260 V AC	10 ... 30 V DC

### Connection X1

Pin	AC-version	DC-version
1	n.c.	
2	n.c.	
3	Reset	
4	n.c.	
5	INP	
6	GND out	n.c.
7	+24 Vout	n.c.

### Delivery specification:

Digital display                      Multilingual operating instructions  
Mounting clip  
Gasket  
2 screw terminals

### Order code:

**6.540.012.XX0**

Input switching level  
0 = Standard level\*  
A = 4 ... 30 V DC level

Voltage supply  
0 = 90 ... 260 V AC\*  
3 = 10 ... 30 V DC\*

\*standard stock model

### Replacement parts:

7-pin screw terminal  
2-pin screw terminal

RM 3,81 1 ... 7: N100387  
RM 5,08 1 ... 2: N100133