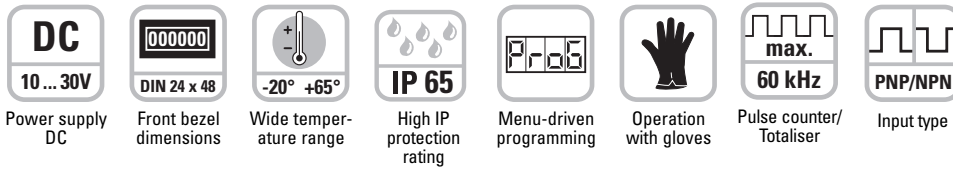


LED Pulse Counters – Codix 52T

2 Pulse counters with separate scaling



Powerful

- **Fast count input**
Input frequency max. 60 kHz
- **Robust housing**
IP 65 protection
- **LED display**
Very bright, 8 mm high
- **Single channel dual totaliser**
Programmable for positive (PNP) or 0 V (NPN) switching input pulses
Fast count input with an input frequency of max. 60 kHz, damped to 30 Hz for mechanical contacts.
- **Fast start-up time**
Detects incoming pulses just 16 ms after being switched on – so no pulses are lost with a simultaneous motor start-up



User-friendly

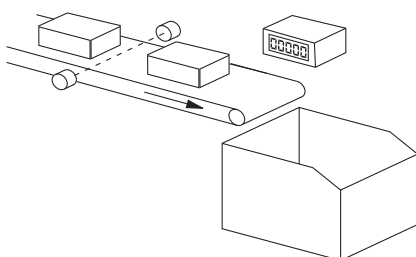
- **Big keys**
Can also be operated when using gloves
- **Easy to programme**
Easy menu-driven programming and operation
Possibility to enter the programming mode during operation, with authentication query

Universal

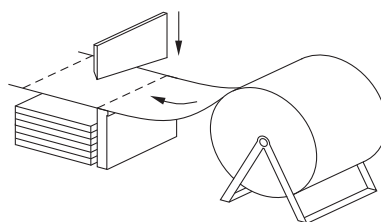
- **Separate scaling for both counters**
Multiplication and division factor (0.0001... 99.9999), to show corresponding units in e.g. litres, length or packaging size.
- **Simple display switching**
between Counter 1 and Counter 2
- **DC power supply**
- **Inputs**
As an alternative to the HTL inputs, models are also available with a fixed signal level threshold >4 V DC for use with TTL signals
- **Reset manual or electrical**
Can be programmed separately for both counters. The reset can also be locked-out.

Application examples for the dual totaliser

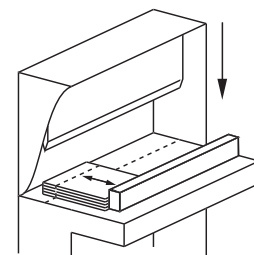
- Logging of production data, piece count and overall total
- Totalising of flow volumes, quantities and other scalable media
- Counting tasks, such as quantities and piece counting
- Accessories, OEM or retrofit equipment for production machinery
- Piece counting on die-cutters, presses, extruders, wood-processing machines, drilling machines, pick-and-place machines, guillotines, special vehicles
- Measurement of packing units and overall total count in one device
- Recording of the total results from 2 work-shifts



Total piece count as well as packing units



Individual and total quantities



Individual and total quantity from 2 work-shifts

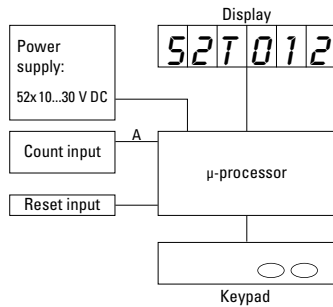
LED Pulse Counters – Codix 52T

Technical data:

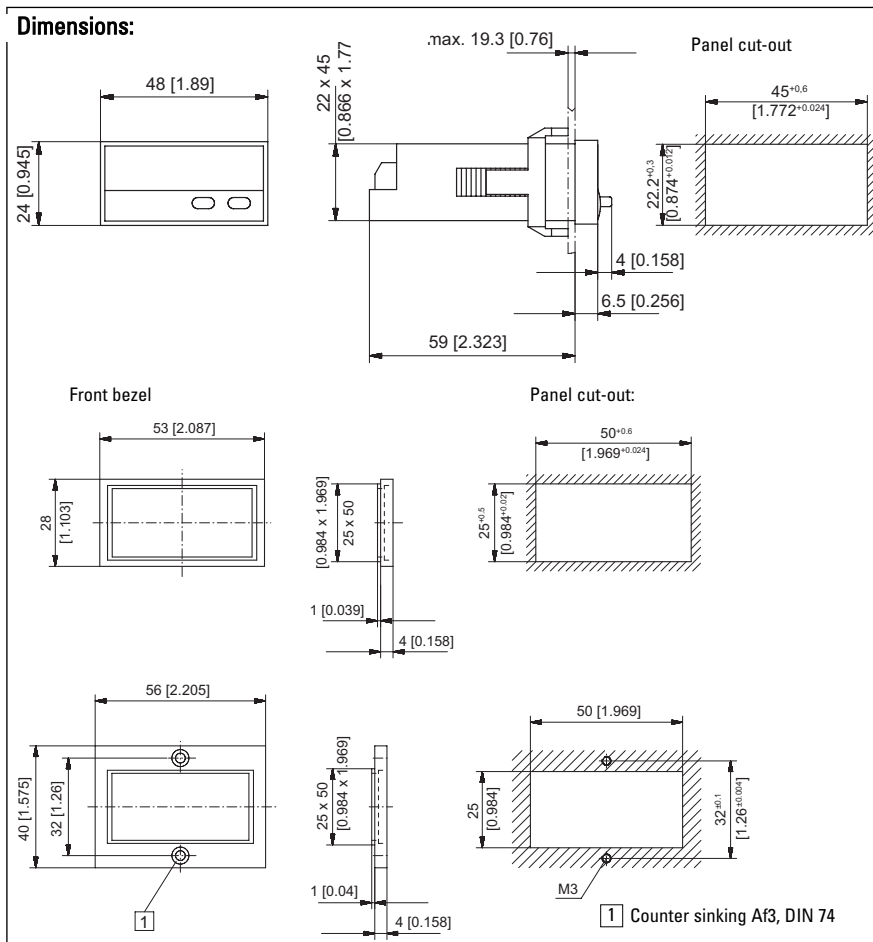
Supply voltage:	10 ... 30 V DC, with reverse polarity protection
Current consumption:	max. 40 mA
Display:	6 digit red 7-segment LED; 8 mm [0.315"] high
Data backup:	EEPROM
Housing:	dimensions 48 x 24 mm [1.89 x 0.945"] according to DIN 43 700; RAL 7021, grey
Polarity of inputs:	programmable, npn or pnp for all inputs
Input resistance:	approx. 5 kΩ
Counting frequency:	approx 60 kHz, can be damped to 30 Hz
Reset time:	5 ms

Level of inputs:	low:	0 ... 0,2 x U _B [V DC]
	high:	0,6 x U _B ... 30 V DC
Fixed signal level threshold:	low:	0 ... 2 V DC
	high:	4 ... 30 V DC
Optocoupler output:	Max. 30 V, 10 mA	
Ambient temperature:	-20 ... +65 °C [4 ... 149 °F] at U _B = 10 ... 26 V DC	
	-20 ... +55 °C [4 ... 131 °F] at U _B = >26 ... 30 V DC non condensing	
Storage temperature:	-25 ... +70 °C [-13 ... 158 °F]	
EMC:	Emitted interference: EN 55 011 Class B Immunity to interference: EN 61000-6-2	
Protection:	IP65 front side	
Weight:	approx. 50 g [1.764 oz]	

Block diagram:



Dimensions:



Connections:

- 1 10 ... 30 V DC
- 2 0 V GND
- 3 INP A
- 4 INP B
- 5 Reset



Delivery specifications:

- 1 Digital display
- 1 Panel mounting clip
- 1 Bezel for screw mounting, panel cut out 50 x 25 mm [1.969 x 0.984"]
- 1 Bezel for clip mounting, panel cut out 50 x 25 mm [1.969 x 0.984"]
- 1 Gasket
- 1 Multilingual operating instruction

Order code:

6.52T.012.3X0

- Input switch level
- 0 = Standard*
- A = Fixed level:
 - Low 0 ... 2 V DC,
 - High 4 ... 30 V DC
- * Stock model