

Preset Counters – BVa 15



- 3- or 5-digit **adding** preset counter with stationary preset value
- Preset constantly visible
- 0-reset manual
- Potential free changeover contact (microswitch) on reaching the preset. Contact remains switched till a 0-reset occurs
- Counter without front bezel fits into front frame F2B and may be combined in blocks of 50 x 50 mm [1.969 x 1.969"]

- Can be combined with the counter series B-, MVs 36- and HVa.

Applications:

piece-counting,
automation

Technical data:

Electrical connection:	tin-plated tabs \varnothing 1.6 mm [0.063"] with push-on connectors (counter) tin plated tabs 0.8 x 2.8 mm [0.032 x 0.11"] (socket box)
Rated voltages:	counting mechanism: 12/24/48/115 V DC \pm 10 % 24/48/115/230 V AC \pm 10 %
Figures:	counter 4.5 mm [0.177"] , preset 4 mm [0.158"]
Colour of housing:	black
Colour of figures:	counter: white on black preset: yellow on black
Shaft:	stainless steel
Mounting position:	optional
Service life:	approx. 100×10^6 Pulse
Weight:	approx. 130 g [4.586 oz]
Test voltage:	2 000 V, effective
Switching contact:	1 change over contact (micro switch), release in 2nd half-step on the preset number
Loading (max):	AC: 250 V AC, 2A

Loading (max):	DC:	24 V DC, 2 A 60 V D. 0.7 A 115 V DC, 0.4 A 230 V DC, 0.2 A, with resistive Load.
		Suitable spark quenching is required with inductive load, reducing the max. current to 60 %
Options:		Key-locking zero reset
		Housing grey Art.-N°.: 2.1X0.XX6.XXX
		Housing black Art.-N°.: 2.1X0.XX7.XXX
		Lockable transparent cover I (IP 65)
		Counter with front bezel 3 Art.-N°.: 2.1X0.7XX.XXX
		Flexible cover K2 (IP 54)
		Counter with front bezel Gr. 3 Art.-N°.: 2.1X0.6XX.XXX
	Lockable transparent cover (IP 65) Art.-N°.: 2.1X0.8XX.XXX	
	Screw terminal connection	

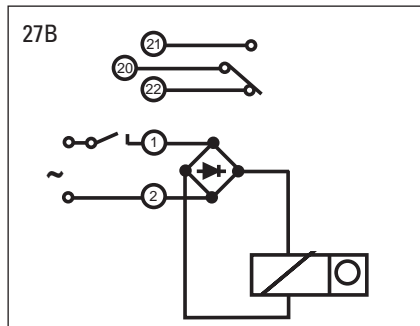
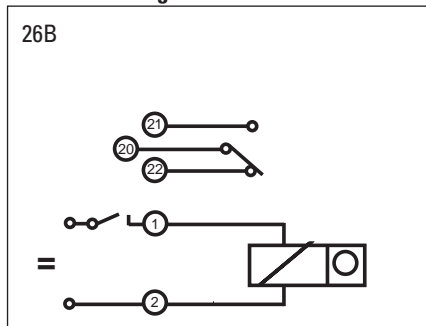
Type series:

Manual reset		Description
5-digit	3-digit	
BVa 15.01	BVa 15.01/3	no bezel frame
BVa 15.11	BVa 15.11/3	front bezel 1 with mounting holes
BVa 15.21	BVa 15.21/3	front frame 2 with spring clip
BVa 15.31	BVa 15.31/3	front bezel 3 with mounting holes

Counting mechanism:

Voltage	Model	max. CP7s	Min. pulse-duration	Min. pulse-interval	Pulse-ratio	On time	Power consumption	Ripple voltage max.	Ambient temperature °C (non-condensing)
V DC	I	25/sec	24 ms	16 ms	3:2	100 %	3 W	48 %	-10 ... +60 °C [14 ... 140 °F]
V AC	a	18/sec	27.7 ms	27.7 ms	1:1	100 %	3 VA	-	-10 ... +55 °C [14 ... 131 °F]

Connection diagrams:



Preset Counters – BVa 15

Delivery specification:

Counter complete with push-on connectors

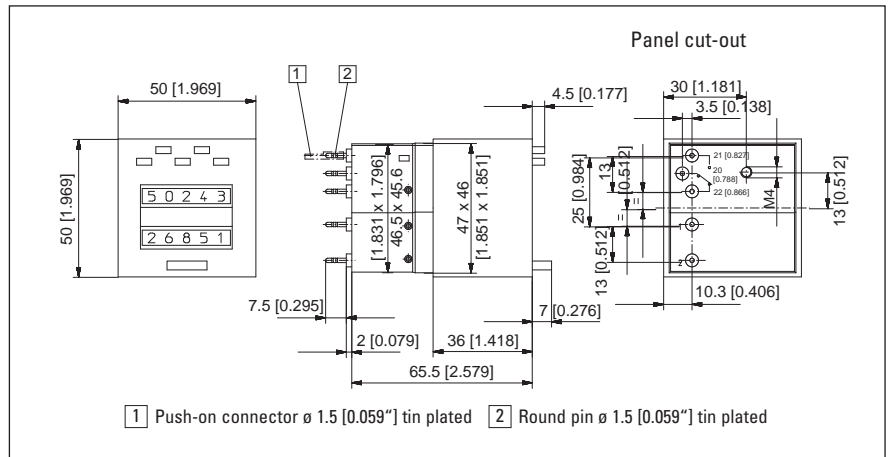
Accessories:

- Socket box 946.1
- Sealing cover K2
- Front bezel F2B black

Order code:

- Art-No.
- If special voltages are requested, please state exact counter type, voltage and model e.g. BVa 15.31, 12 V DC....

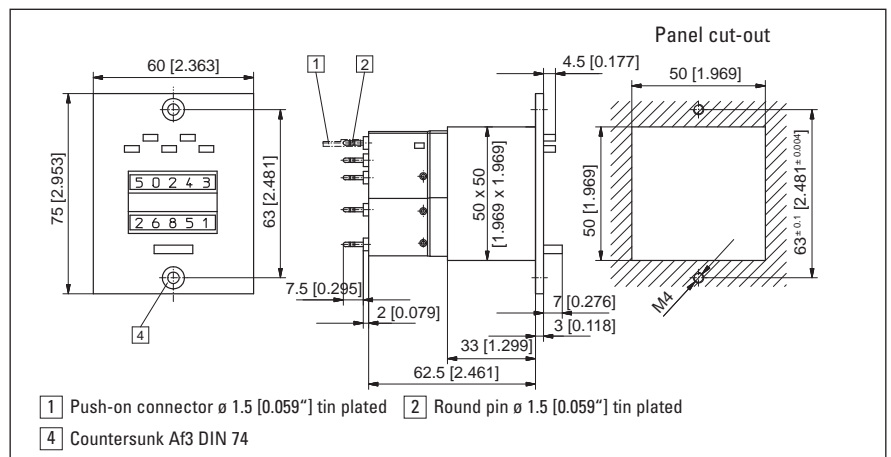
Type BVa 15.01/3



	BVa 15.01			BVa 15.01/3		
	24 V Art-No.	115 V Art-No.	230 V Art-No.	24 V Art-No.	115 V Art-No.	230 V Art-No.
DC (25 Imp/s)	2.100.011.033*	–	–	2.120.011.033	–	–
AC (18 Imp/s)	2.100.011.061*	2.100.011.064	2.100.011.066	2.120.011.061	2.120.011.064	2.120.011.066

Colour of housing black:
Art-No. 2.1X0.011.XXX

Type BVa 15.11/3

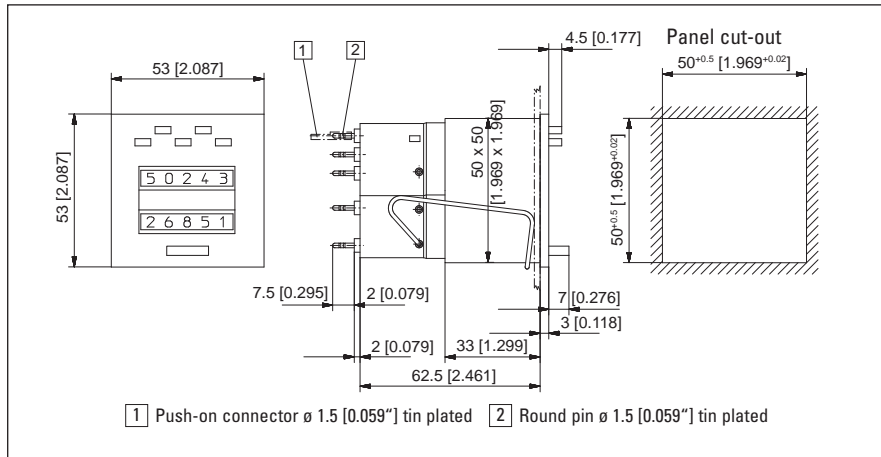


	BVa 15.11			BVa 15.11/3		
	24 V Art-No.	115 V Art-No.	230 V Art-No.	24 V Art-No.	115 V Art-No.	230 V Art-No.
DC (25 Imp/s)	2.100.110.033	–	–	2.120.110.033	–	–
AC (18 Imp/s)	2.100.110.061	2.100.110.064	2.100.110.066*	2.120.110.061	2.120.110.064	2.120.110.066

Colour of housing black:
Art-No. 2.1X0.111.XXX

Preset Counters – BVa 15

Type BVa 15.21/3

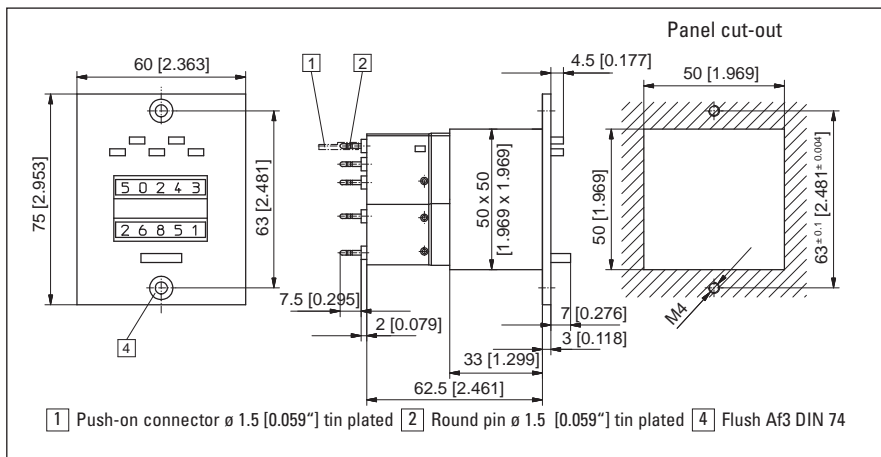


	BVa 15.21			BVa 15.21/3		
	24 V Art-No.	115 V Art-No.	230 V Art-No.	24 V Art-No.	115 V Art-No.	230 V Art-No.
DC (25 Imp/s)	2.100.210.033*	–	–	2.120.210.033	2.120.210.064	2.120.210.066
AC (18 Imp/s)	2.100.210.061	2.100.210.064	2.100.210.066*	2.120.210.061	2.120.210.064	2.120.210.066

Colour of housing
black:
Art-No. 2.1X0.211.XXX

Further Stock models:
Art-No. 2.100.211.033

Type BVa 15.31/3



	BVa 15.31			BVa 15.31/3		
	24 V Art-No.	115 V Art-No.	230 V Art-No.	24 V Art-No.	115 V Art-No.	230 V Art-No.
DC (25 Imp/s)	2.100.310.033	–	–	2.120.310.033	2.120.310.064	2.120.310.066
AC (18 Imp/s)	2.100.310.061	2.100.310.064	2.100.310.066	2.120.310.061	2.120.310.064	2.120.310.066

Colour of housing
black:
Art-No. 2.1X0.311.XXX

Further Stock models:
Art-No. 2.107.311.013
BVa 15.31.4sw 24 V DC

Art-No. 2.210.310.056
BVa 15.31/3 230 V AC/0a

Preset Counters – BVa 15



BVa 15.21 vs
(Key lock)



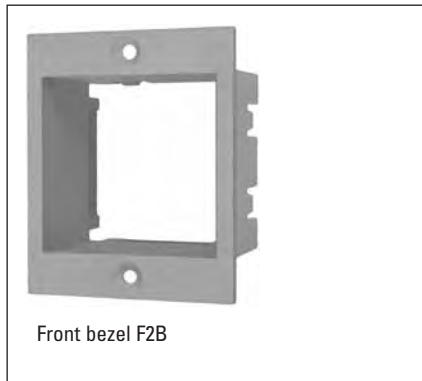
Dv BVa 15.31
(Knob locking cover)



Dvs BVa 15.31
(Key locking cover)



Flexible cover K2



Front bezel F2B



Socket box 946.1
G 008 439

For more details (dimensions, order information) please refer to our Accessories chapter

Preset Counters