

LED Process Displays – Codix 530



Your benefit

- Compact display for analogue measured values and integration function (totaliser) with programmable factor
- Galvanic isolation with protection against incorrect polarity
- Display Hold input
- Freely programmable characteristic curve end points

Input range

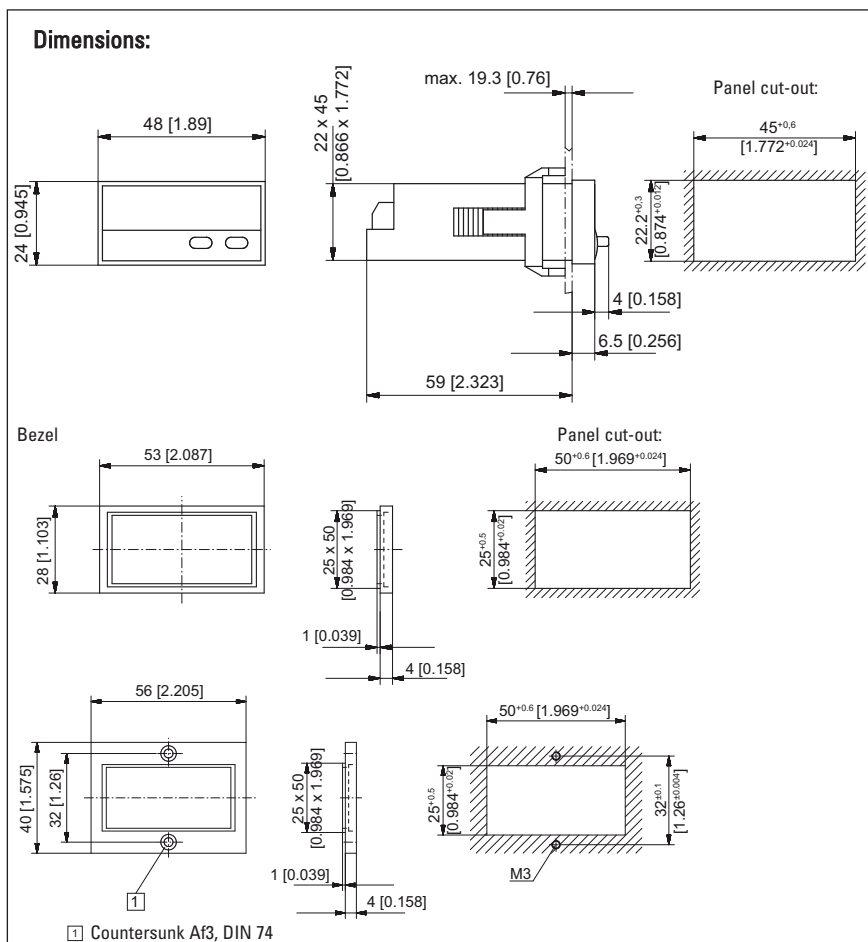
- 1 current measuring input, 1 voltage measuring input
- Programmable Display Hold input (MPI) or integration function (totaliser) reset input

More advantages

- Display range -19 999 ... 99 999 with leading zeros suppression
- Modern industrial design
- Programmable mains hum suppression

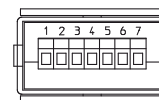
Technical data

Supply voltage:	10 ... 30 V DC, galvanically isolated with integrated protection against incorrect polarity	Input current measurement:	0 ... 20 mA, 4 ... 20 mA voltage drop max 1.5 V DC
Current consumption:	max. 50 mA	Input voltage measurement:	0 ... 10 V, 2 ... 10 V input resistance app. 1 MΩ max. input signal level 30 V DC
Display:	5-digit display, red 7-segment LED's; height 8 mm [0.35"]	Control inputs:	high: 4 ... 30 V DC low: 0 ... 2 V DC
Measuring rate:	1 measurement/second	Display Hold or Reset	
Data backup:	EEPROM	Totaliser	
Housing:	housing for control panel 48 x 24 mm [1.89 x 0.945"], acc. to DIN 43 700; RAL 7021, dark grey	Resolution:	14 bits
Ambient temperature:	-10 ... +50 °C [14 °F ... +122 °F]	Accuracy:	< 0.1 % for the whole measuring range at an ambient temperature of 20 °C [68 °F]
EMC:	Immunity to interference: EN55011 class B Emitted interference EN61000-6-2	Temperature drift:	< 70ppm/K _{Ambient}
Protection:	IP65 (front)	Accuracy:	50 ppm
		Weight:	approx. 50 g [1.764 oz]
		Connections:	screw terminal, pitch 5.08 mm [0.2"], 7 pin



Connections:

- | | |
|-----------------|---------------------|
| 1 10 ... 30 VDC | 5 0 (4) ... 20 MA |
| 2 GND | 6 Analogue GND |
| 3 GND | 7 0 (2) ... 10 V DC |
| 4 MPI | |



Delivery includes:

- Digital display
- Panel mounting clip
- Bezel for clip mount,
- Panel cut-out 50 x 25 mm [1.969 x 0.984"]
- Bezel for screw mount,
- Panel cut-out 50 x 25 mm [1.969 x 0.984"]
- Gasket
- 1 set of self-adhesive symbols
- Multilingual operating instructions

Order Code:

Codix 530: 6.530.012.300*

Accessories see Chapter Accessories