

# Accessories

## Encoder mounting attachments      Fixing components for hollow shaft encoders      Details

### Dimensions / Details

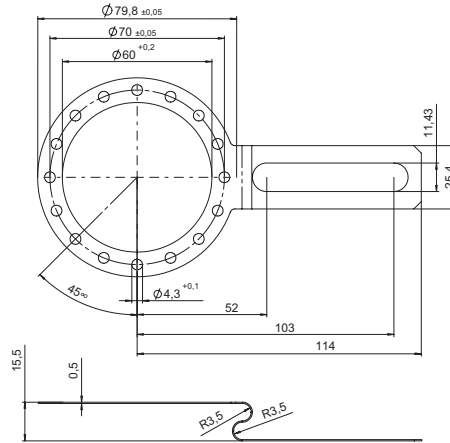
#### Fastening arm, short

##### Scope of delivery:

- Fastening arm (stainless-steel)
- 3 screws for fixing to the encoder

##### Connection to application:

- 1 screw (not supplied)



Order-No.

**8.0010.4E00.0000**

#### Tether arm, long

##### Scope of delivery:

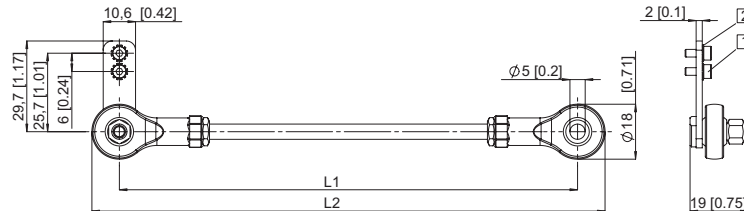
- Tether arm

1 2 Socket cap screws M2.5 x 6

2 2 Lock washers for fixing to the encoder

##### Connection to application:

- 1 screw (not supplied)



L1	L2
70 [2.76]	88 [3.46]
100 [3.94]	118 [4.65]
150 [5.91]	168 [6.61]

Order-No.

**8.0010.40S0.0000**

**8.0010.40T0.0000**

**8.0010.40U0.0000**

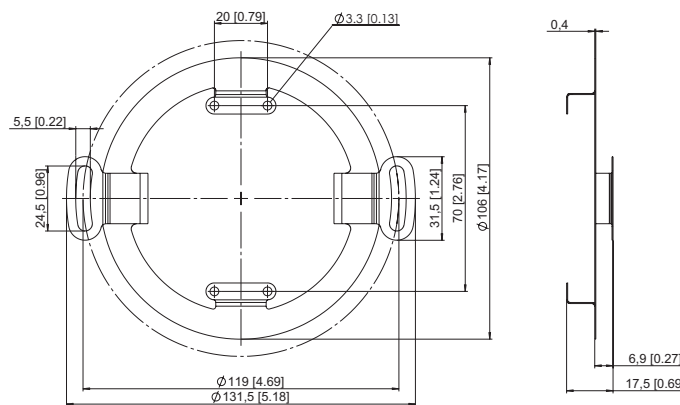
#### Stator coupling

##### Scope of delivery:

- Stator coupling (stainless steel)
- 4 screws for fixing to the encoder

##### Connection to application:

- 2 screws (not supplied)



Order-No.

**8.0010.40V0.0000**