

# Accessories

## Encoder mounting attachments      Fixing components for shaft encoders      Details

### Dimensions / Details

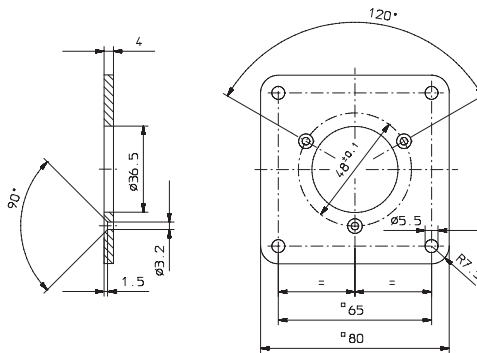
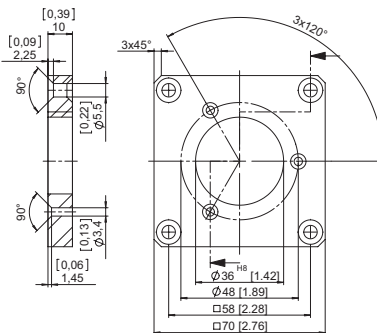
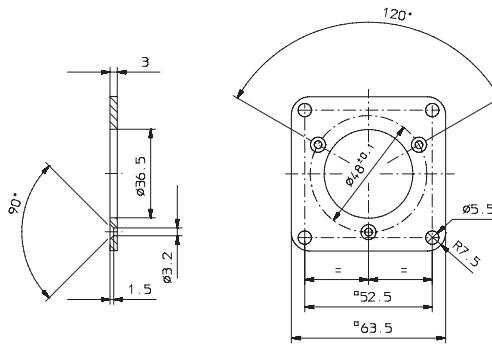
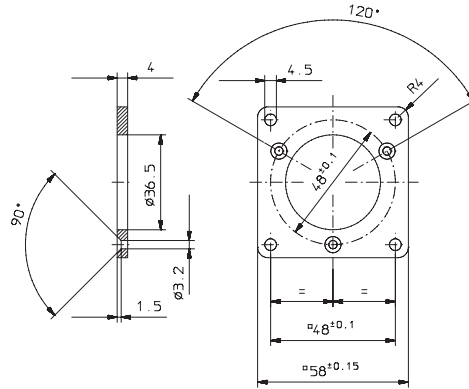
**Flange, square**

*Scope of delivery:*

- flange (aluminium)
- 3 screws for fixing to the encoder

*Connection to application:*

- 4 screws (not supplied)



Order-No.

**8.0010.2100.0000**

Order-No.

**8.0010.2120.0000**

Order-No.

**8.0010.2600.0000**

Order-No.

**8.0010.2800.0000**